

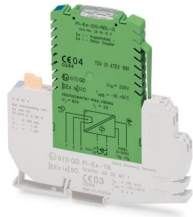
# PI-EX-DO/REL-S - Signal isolator



2865120

<https://www.phoenixcontact.com/us/products/2865120>

Please be informed that the data shown in this PDF document is generated from our online catalog. Please find the complete data in the user documentation. Our general terms of use for downloads are valid.



Ex i binary output: Relay with intrinsically safe contact side. For switching intrinsically safe circuits. Control either with external switching voltages or floating switch contacts. With additional hand-operated level. Electrical isolation.

## Commercial data

Item number	2865120
Packing unit	1 pc
Sales key	C430
Product key	DK1XXX
GTIN	4017918956639
Weight per piece (including packing)	98.4 g
Weight per piece (excluding packing)	67.02 g
Customs tariff number	85364190
Country of origin	DE

# PI-EX-DO/REL-S - Signal isolator



2865120

<https://www.phoenixcontact.com/us/products/2865120>

## Technical data

### Product properties

Product type	Relay Module
Application	Digital OUT
No. of channels	1

### Electrical properties

#### Electrical isolation Input/output

Electrical isolation	375 V (Peak value as per EN 50020 / EN 60079-11)
Test voltage	1.5 kV AC (50 Hz, 60 s)

#### Electrical isolation Output/supply

Electrical isolation	375 V (Peak value as per EN 50020 / EN 60079-11)
----------------------	--

#### Supply

Supply voltage range	20 V DC ... 30 V DC
----------------------	---------------------

### Input data

#### Control

Available input sources	External voltage actuated operation; 4 V DC < U <sub>s</sub> < 30 V DC: Relay picks up; U <sub>s</sub> < 2 V DC: Relay drops out
	Operation via external switching contact, switch closed: Relay picks up; switch open: Relay drops out

### Output data

#### Switching: Relay

Output description	intrinsically safe
Contact switching type	1 changeover contact
Contact material	AgNi, + 5 μm Au
Contact resistance per contact pair	≤ 0.1 Ω
Maximum switching voltage	30 V DC
Limiting continuous current	300 mA (when intrinsically safe circuits are connected)

### Connection data

Connection method	Plug-in connection
-------------------	--------------------

### Ex data

#### Safety data

Safety-related maximum voltage U <sub>m</sub>	250 V AC
---	----------

### Signaling

Status display	Green LED (supply voltage)
	Yellow LED (status display)

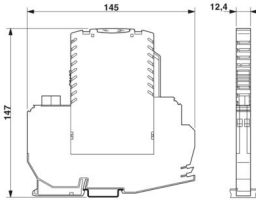
# PI-EX-DO/REL-S - Signal isolator



2865120

<https://www.phoenixcontact.com/us/products/2865120>

## Dimensions

Dimensional drawing	
Width	12.4 mm
Height	79 mm
Depth	118.4 mm

## Material specifications

Color	green (RAL 6021)
Flammability rating according to UL 94	V0
Housing material	PBT and polyamide PA non-reinforced

## Environmental and real-life conditions

### Ambient conditions

Degree of protection	IP20
Ambient temperature (operation)	-20 °C ... 55 °C
Ambient temperature (storage/transport)	-40 °C ... 85 °C

## Approvals

### CE

Certificate	CE-compliant
-------------	--------------

### ATEX

Identification	⊕ II (1) G [Ex ia Ga] IIC
	⊕ II (1) D [Ex ia Da] IIIC
	⊕ II 3 G Ex nA nC IIC T4 Gc
Certificate	PxCIF07ATEX2865120X

### EAC Ex

Identification	ER[Ex] [Ex ia Ga] IIC
Certificate	RU C-DE.AB72.B.00097/19

# PI-EX-DO/REL-S - Signal isolator

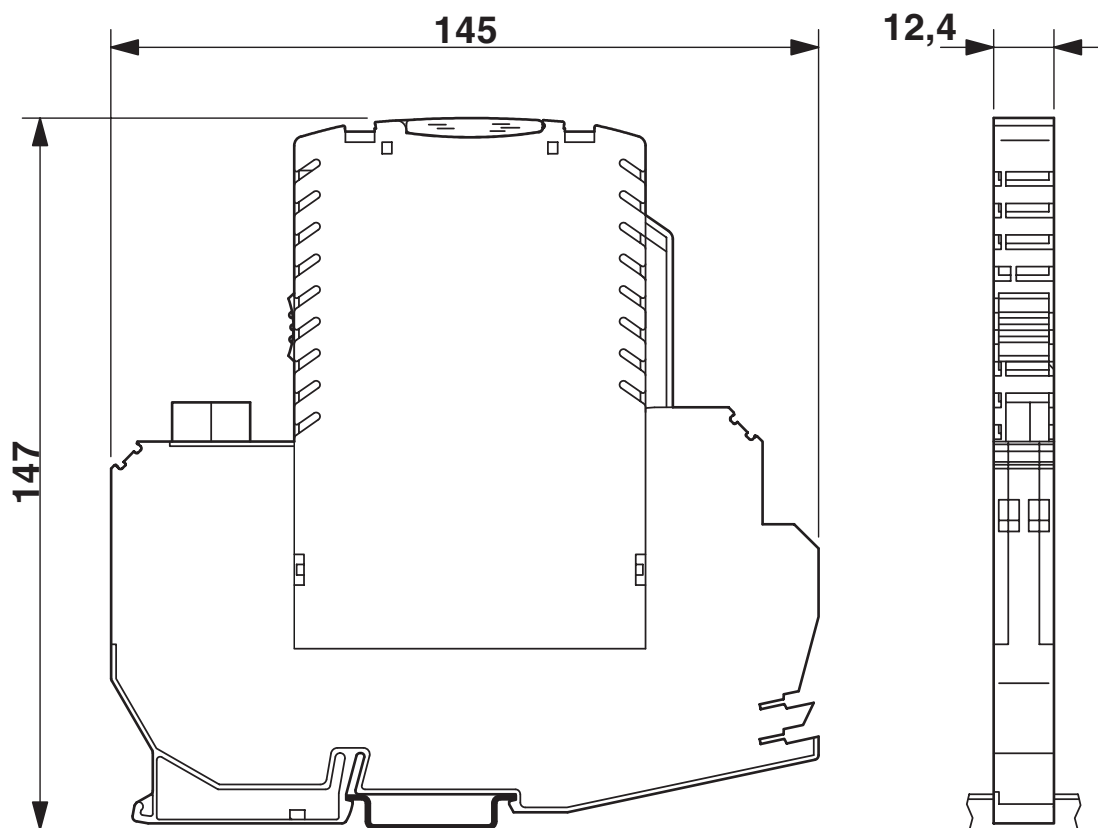


2865120

<https://www.phoenixcontact.com/us/products/2865120>

## Drawings

Dimensional drawing

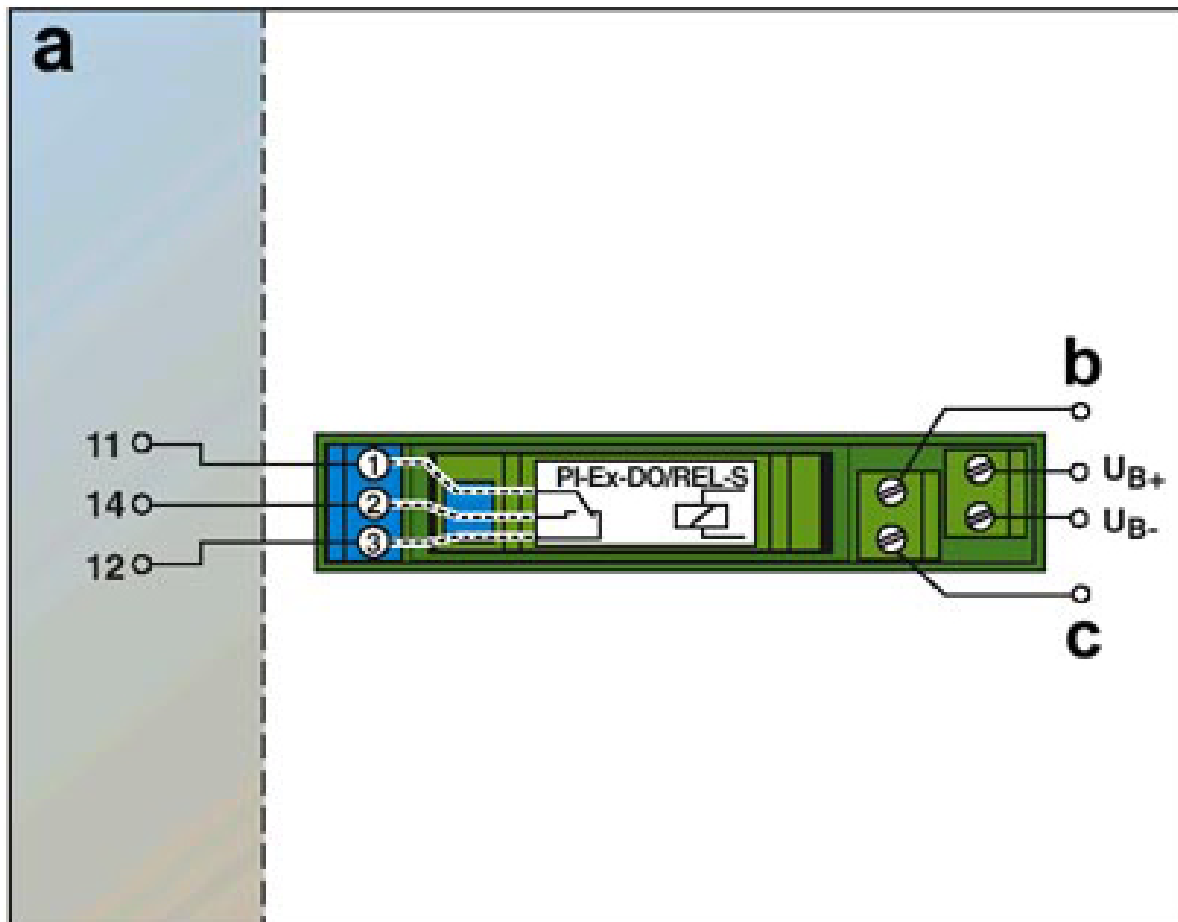


# PI-EX-DO/REL-S - Signal isolator

2865120

<https://www.phoenixcontact.com/us/products/2865120>

Circuit diagram



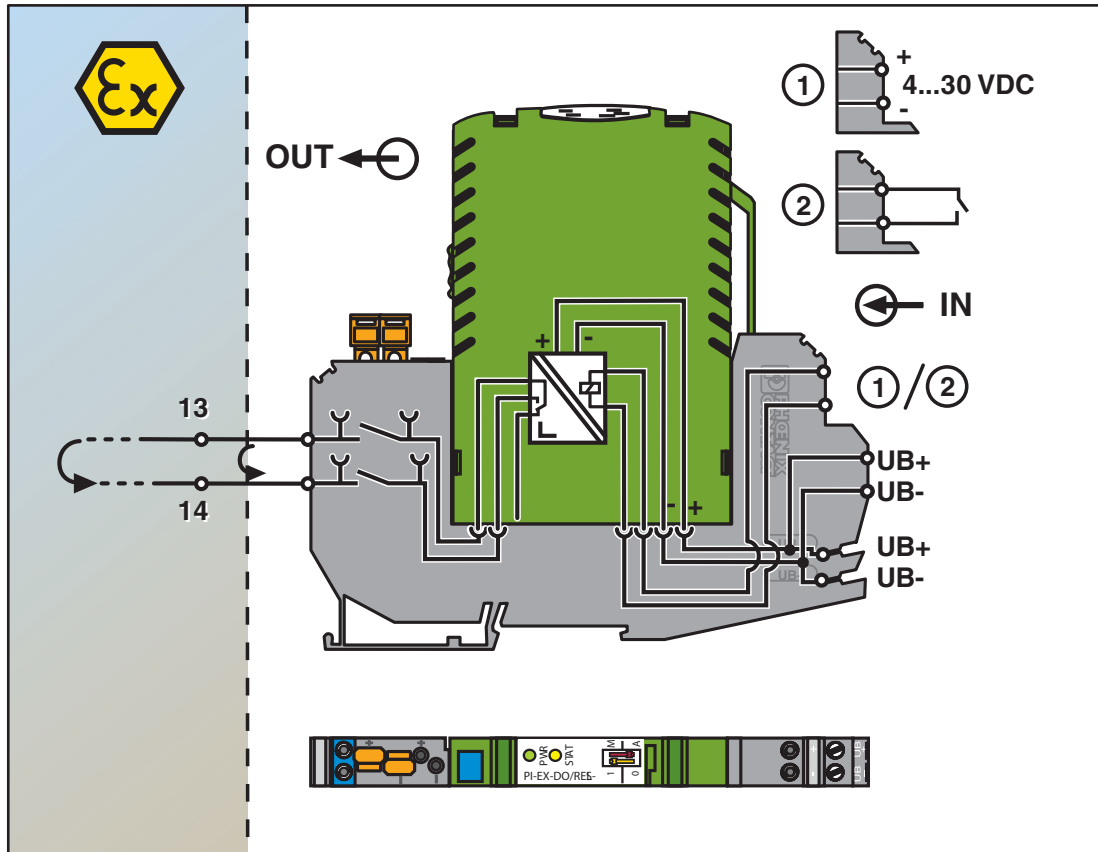
- a = Ex area
- b = Control signal +
- c = Control signal -

# PI-EX-DO/REL-S - Signal isolator

2865120

<https://www.phoenixcontact.com/us/products/2865120>

Block diagram



# PI-EX-DO/REL-S - Signal isolator



2865120

<https://www.phoenixcontact.com/us/products/2865120>

## Classifications

### UNSPSC

UNSPSC 21.0	39122300
-------------	----------

# PI-EX-DO/REL-S - Signal isolator



2865120

<https://www.phoenixcontact.com/us/products/2865120>

## Environmental product compliance

### EU RoHS

Fulfills EU RoHS substance requirements	Yes
Exemption	7(a), 7(c)-I

### China RoHS

Environment friendly use period (EFUP)	EFUP-50
	An article-related China RoHS declaration table can be found in the download area for the respective article under "Manufacturer declaration". For all articles with EFUP-E, no China RoHS declaration table issued and required.

### EU REACH SVHC

REACH candidate substance (CAS No.)	Lead(CAS: 7439-92-1)
SCIP	72905b16-f9b4-455f-8a6e-7ff26a6eee23

Phoenix Contact 2026 © - all rights reserved

<https://www.phoenixcontact.com>

Phoenix Contact USA  
586 Fulling Mill Road  
Middletown, PA 17057, United States  
(+717) 944-1300  
[info@phoenixcon.com](mailto:info@phoenixcon.com)