

PI-EX-NAM/TO-P - Signal isolator



2865117

<https://www.phoenixcontact.com/us/products/2865117>

Please be informed that the data shown in this PDF document is generated from our online catalog. Please find the complete data in the user documentation. Our general terms of use for downloads are valid.



Ex i binary input: NAMUR isolation amplifiers. For operating proximity sensors and switches in Ex areas. The signals are transmitted to a safe area. Transistor output (passive), line fault detection. Galvanic 3-way isolation.

Commercial data

Item number	2865117
Packing unit	1 pc
Sales key	C430
Product key	DK1XXX
GTIN	4017918961541
Weight per piece (including packing)	98.4 g
Weight per piece (excluding packing)	98.4 g
Customs tariff number	85365019
Country of origin	DE

Technical data

Notes

Order information:	The electronics module is plugged into a basic terminal block.
--------------------	--

Product properties

Product type	Isolating switch amplifier
Application	Digital IN

Electrical properties

Electrical isolation	3-way isolation
----------------------	-----------------

Electrical isolation Input/output

Electrical isolation	375 V (Peak value as per EN 50020 / EN 60079-11)
----------------------	--

Electrical isolation Input/power supply

Electrical isolation	375 V (Peak value as per EN 50020 / EN 60079-11)
----------------------	--

Electrical isolation Output/supply

Test voltage	1.5 kV AC (50 Hz, 60 s)
--------------	-------------------------

Supply

Supply voltage range	20 V DC ... 30 V DC
Max. current consumption	25 mA
Power consumption	max. 0.6 W (24 V)

Input data

Signal: NAMUR

Description of the input	intrinsically safe
Number of inputs	1
Available input sources	NAMUR proximity sensors (IEC/EN 60947-5-6) floating switch contacts Switch contacts with resistance circuit
Switching threshold "0" signal current	< 1.2 mA (blocking)
Switching threshold "1" signal, current	> 2.1 mA (conductive)
Line fault detection	< 0.05 mA (Line break) 100 Ω ... 360 Ω (Short circuit) can be enabled/disabled via switch
Open-circuit voltage	8.2 V DC ±10 %

Output data

Switching: Transistor

Configurable/programmable	Can be inverted via slide switch
Continuous load current	100 mA (short-circuit-proof)
Auxiliary voltage	10 V DC ... 30 V DC

PI-EX-NAM/TO-P - Signal isolator

2865117

<https://www.phoenixcontact.com/us/products/2865117>

Signal

Number of outputs	1
Switching behavior	Can be inverted via slide switch
Switching frequency	max. 2 kHz (DC)

Connection data

Connection method	Screw connection
-------------------	------------------

Ex data

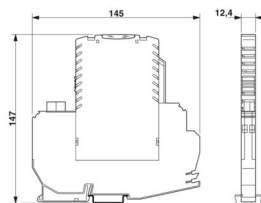
Safety data

Max. output voltage U_o	10.6 V
Max. output current I_o	33 mA
Max. output power P_o	86 mW
Safety-related maximum voltage U_m	250 V AC
IIA: Max. external inductivity L_o / Max. external capacitance C_o	230 mH / 72 μ F
IIB: Max. external inductivity L_o / Max. external capacitance C_o	110 mH / 16.2 μ F
IIC: Max. external inductivity L_o / Max. external capacitance C_o	30 mH / 2.3 μ F

Signaling

Status display	Green LED (supply voltage)
	Yellow LED (status display)
	Red LED (line errors)

Dimensions

Dimensional drawing	
Width	12.4 mm
Height	79 mm
Depth	118.4 mm

Material specifications

Color	green (RAL 6021)
Flammability rating according to UL 94	V0
Housing material	PBT and polyamide PA non-reinforced

Characteristics

Safety data: IEC 61508 - Low demand

Safety Integrity Level (SIL)	2
------------------------------	---

PI-EX-NAM/TO-P - Signal isolator



2865117

<https://www.phoenixcontact.com/us/products/2865117>

Environmental and real-life conditions

Ambient conditions

Degree of protection	IP20
Ambient temperature (operation)	max. -20 °C ... 60 °C (see data sheet)
Ambient temperature (storage/transport)	-40 °C ... 85 °C

Approvals

CE

Certificate	CE-compliant
-------------	--------------

ATEX

Identification	⊕ II (1) G [Ex ia Ga] IIC
	⊕ II (1) D [Ex ia Da] IIIC
	⊕ II 3 G Ex nA IIC T4 Gc
Certificate	PxCIF07ATEX2835341X

UL, USA/Canada

Identification	applied for
----------------	-------------

Safety Integrity Level (SIL, IEC 61508)

Identification	2
----------------	---

EAC Ex

Identification	⊕ [Ex ia Ga] IIC
Certificate	RU C-DE.AB72.B.00097/19

Standards and regulations

Electrical isolation	3-way isolation
----------------------	-----------------

Standards

Standards/regulations	NAMUR recommendation NE 21
-----------------------	----------------------------

PI-EX-NAM/TO-P - Signal isolator

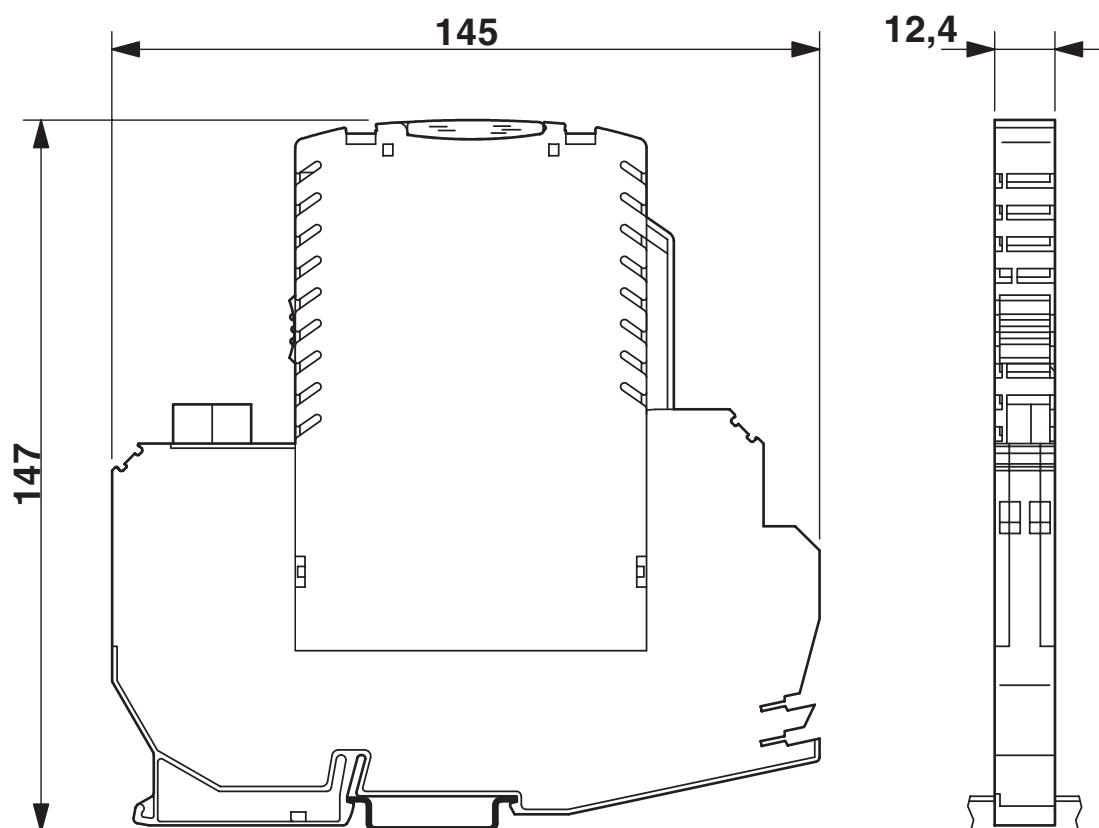


2865117

<https://www.phoenixcontact.com/us/products/2865117>

Drawings

Dimensional drawing



PI-EX-NAM/TO-P - Signal isolator



2865117

<https://www.phoenixcontact.com/us/products/2865117>

Classifications

ECLASS

ECLASS-13.0

27210121

ETIM

ETIM 9.0

EC001485

UNSPSC

UNSPSC 21.0

39121000

PI-EX-NAM/TO-P - Signal isolator



2865117

<https://www.phoenixcontact.com/us/products/2865117>

Environmental product compliance

EU RoHS

Fulfills EU RoHS substance requirements	Yes
Exemption	7(a), 7(c)-I

China RoHS

Environment friendly use period (EFUP)	EFUP-50
	An article-related China RoHS declaration table can be found in the download area for the respective article under "Manufacturer declaration". For all articles with EFUP-E, no China RoHS declaration table issued and required.

EU REACH SVHC

REACH candidate substance (CAS No.)	Lead(CAS: 7439-92-1)
SCIP	ba2c7817-db13-4526-ae37-67fac4e00962

Phoenix Contact 2026 © - all rights reserved

<https://www.phoenixcontact.com>

Phoenix Contact USA
586 Fulling Mill Road
Middletown, PA 17057, United States
(+717) 944-1300
info@phoenixcon.com