

# MINI MCR-SL-2CP-I-I - Passive separator



2864655

<https://www.phoenixcontact.com/us/products/2864655>

Please be informed that the data shown in this PDF document is generated from our online catalog. Please find the complete data in the user documentation. Our general terms of use for downloads are valid.



MCR passive isolator, 2-channel, for the electrical isolation of current signals without auxiliary power, with screw connection

## Your advantages

- Voltage drop at isolating amplifier of just 1.7 V
- Does not require additional auxiliary voltage
- Two channels on a design width of just 6.2 mm
- Highly compact 2-conductor passive isolators for the electrical isolation and filtering of standard analog signals
- Supplied by an input loop

## Commercial data

Item number	2864655
Packing unit	1 pc
Minimum order quantity	1 pc
Sales key	C403
Product key	DK1131
GTIN	4017918974893
Weight per piece (including packing)	87 g
Weight per piece (excluding packing)	61 g
Customs tariff number	85437090
Country of origin	DE

## Technical data

### Product properties

Product type	Passive separator
Product family	MINI Analog
No. of channels	2

### Electrical properties

Electrical isolation	2-way isolation
Electrical isolation between input and output	yes
Limit frequency (3 dB)	75 Hz
Maximum power dissipation for nominal condition	64 mW
Signal transmission behavior	In = Out
Step response (10-90%)	5 ms (at 600 Ω load)
Maximum temperature coefficient	≤ 0.002 %/K (of measured value / 100 Ω load)
Temperature coefficient, typical	< 0.002 %/K (of measured value / 100 Ω load)
Maximum transmission error	≤ 0.1 % (of final value)
Additional error, load-dependent	< 0.03 % (of measured value / 100 Ω load)

### Electrical isolation

Overvoltage category	II
Pollution degree	2

### Electrical isolation Input/output IEC/EN 61010

Standards/regulations	IEC/EN 61010
Rated insulation voltage	50 V AC/DC
Test voltage	1.5 kV AC (50 Hz, 60 s)
Insulation	Basic insulation

### Supply

Supply voltage range	loop-powered, no external supply necessary
Power consumption	34 mW (per channel)

### Input data

#### Signal: Current

Number of inputs	2
Configurable/programmable	no
Max. voltage input signal	18 V
Current input signal	0 mA ... 20 mA 4 mA ... 20 mA
Max. current input signal	40 mA
Response current	approx. 190 μA
Input voltage limitation	< 2 V (20 mA)
Voltage dissipation	1.9 V (I = 20 mA)

# MINI MCR-SL-2CP-I-I - Passive separator

2864655

<https://www.phoenixcontact.com/us/products/2864655>

## Output data

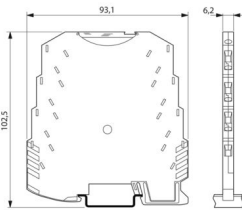
Signal: Current

Number of outputs	2
Configurable/programmable	no
Current output signal	0 mA ... 20 mA 4 mA ... 20 mA
Load/output load current output	< 600 $\Omega$ (at I = 20 mA output signal)
Ripple	< 10 mV <sub>rms</sub> (600 $\Omega$ )

## Connection data

Connection method	Screw connection
Stripping length	12 mm
Screw thread	M3
Conductor cross-section rigid	0.2 mm <sup>2</sup> ... 2.5 mm <sup>2</sup>
Conductor cross-section flexible	0.2 mm <sup>2</sup> ... 2.5 mm <sup>2</sup>
Conductor cross-section AWG	26 ... 12

## Dimensions

Dimensional drawing	
Width	6.2 mm
Height	93.1 mm
Depth	101.2 mm

## Material specifications

Color	green (RAL 6021)
Housing material	PBT
Fire protection for rail vehicles (DIN EN 45545-2) R22	HL 1 - HL 2
Fire protection for rail vehicles (DIN EN 45545-2) R23	HL 1 - HL 2
Fire protection for rail vehicles (DIN EN 45545-2) R24	HL 1 - HL 2

## Environmental and real-life conditions

Ambient conditions

Degree of protection	IP20
Ambient temperature (operation)	-20 °C ... 65 °C
Ambient temperature (storage/transport)	-40 °C ... 85 °C
Altitude	≤ 2000 m
Permissible humidity (operation)	5 % ... 95 % (non-condensing)

# MINI MCR-SL-2CP-I-I - Passive separator



2864655

<https://www.phoenixcontact.com/us/products/2864655>

## Approvals

### CE

Certificate	CE-compliant
-------------	--------------

### UL, USA/Canada

Identification	UL 508 Recognized
	Class I, Div. 2, Groups A, B, C, D

## EMC data

Electromagnetic compatibility	Conformance with EMC directive
Noise immunity	EN 61000-6-2
Note	When being exposed to interference, there may be minimal deviations.

### Noise emission

Standards/regulations	EN 61000-6-4
-----------------------	--------------

### Electrostatic discharge

Standards/regulations	EN 61000-4-2
-----------------------	--------------

### Electrostatic discharge

Comments	Criterion B
----------	-------------

### Electromagnetic HF field

Designation	Electromagnetic RF field
Standards/regulations	EN 61000-4-3
Evaluation criterion	A

### Fast transients (burst)

Designation	Fast transients (burst)
Standards/regulations	EN 61000-4-4
Evaluation criterion	B

### Surge current load (surge)

Standards/regulations	EN 61000-4-5
-----------------------	--------------

### Surge current load (surge)

Comments	Criterion B
----------	-------------

### Conducted interference

Designation	Conducted interferences
Standards/regulations	EN 61000-4-6
Evaluation criterion	A

## Standards and regulations

Electrical isolation	2-way isolation
----------------------	-----------------

## Mounting

# MINI MCR-SL-2CP-I-I - Passive separator



2864655

<https://www.phoenixcontact.com/us/products/2864655>

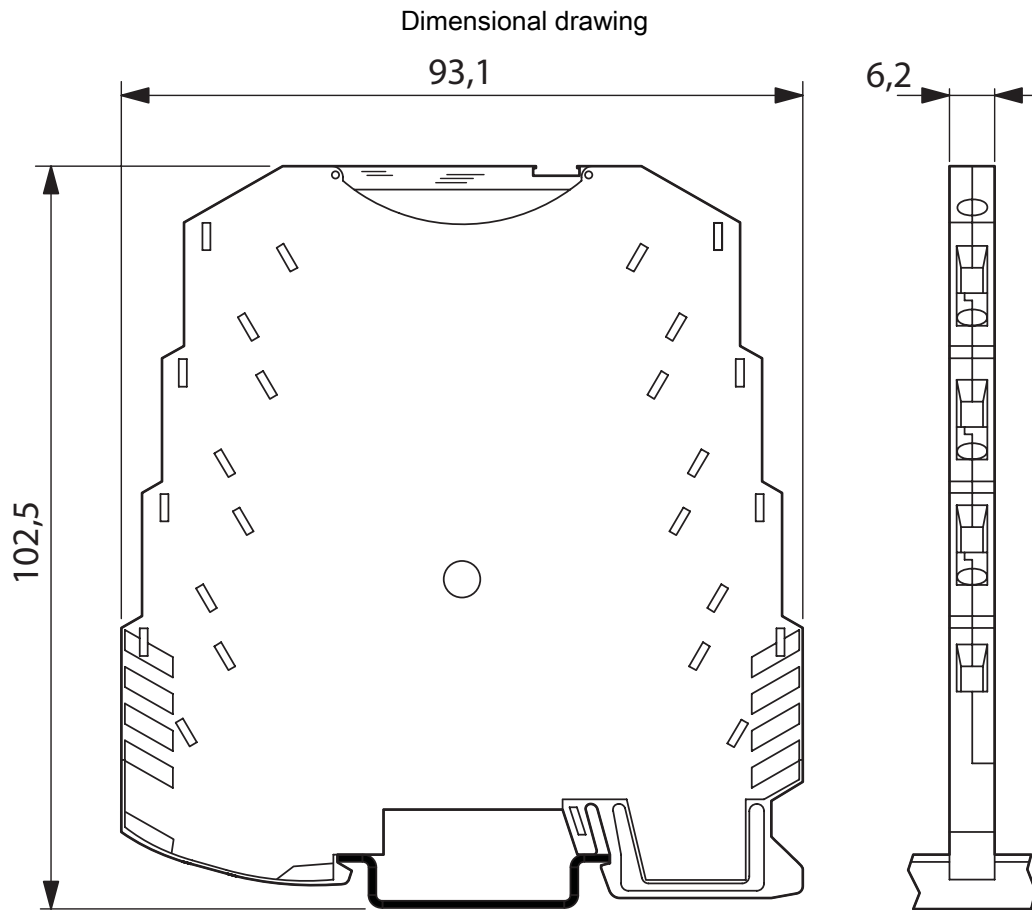
Mounting type	DIN rail mounting
Assembly note	The DIN rail connector can be used for bridging the supply voltage. It can be snapped onto a 35 mm EN 60715 DIN rail.
Mounting position	any

# MINI MCR-SL-2CP-I-I - Passive separator

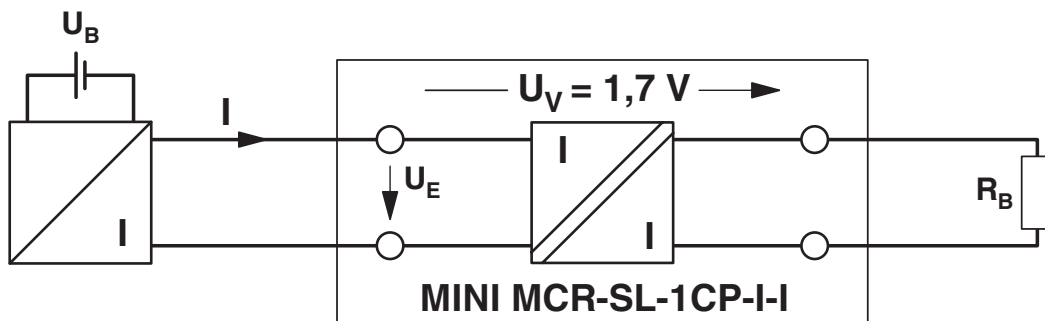
2864655

<https://www.phoenixcontact.com/us/products/2864655>

## Drawings



Application drawing

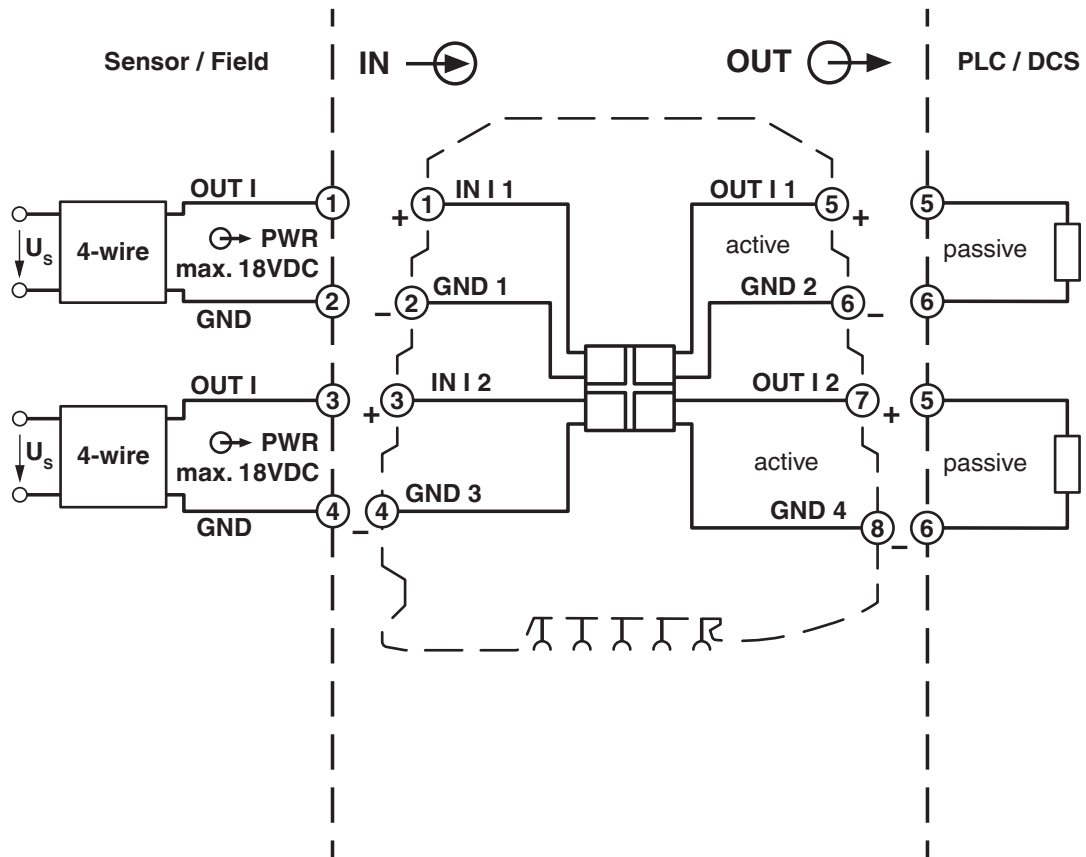


# MINI MCR-SL-2CP-I-I - Passive separator

2864655

<https://www.phoenixcontact.com/us/products/2864655>

Block diagram



# MINI MCR-SL-2CP-I-I - Passive separator



2864655

<https://www.phoenixcontact.com/us/products/2864655>

## Approvals

To download certificates, visit the product detail page: <https://www.phoenixcontact.com/us/products/2864655>



**cUL Recognized**  
Approval ID: FILE E 123528



**UL Recognized**  
Approval ID: FILE E 123528



**cUL Recognized**  
Approval ID: E199827



**UL Recognized**  
Approval ID: E199827

# MINI MCR-SL-2CP-I-I - Passive separator



2864655

<https://www.phoenixcontact.com/us/products/2864655>

## Classifications

### ECLASS

ECLASS-13.0	27210120
ECLASS-15.0	27210120

### ETIM

ETIM 10.0	EC002653
-----------	----------

### UNSPSC

UNSPSC 21.0	39121000
-------------	----------

# MINI MCR-SL-2CP-I-I - Passive separator



2864655

<https://www.phoenixcontact.com/us/products/2864655>

## Environmental product compliance

### EU RoHS

Fulfills EU RoHS substance requirements	Yes
Exemption	7(c)-I

### China RoHS

Environment friendly use period (EFUP)	EFUP-50
	An article-related China RoHS declaration table can be found in the download area for the respective article under "Manufacturer declaration". For all articles with EFUP-E, no China RoHS declaration table issued and required.

### EU REACH SVHC

REACH candidate substance (CAS No.)	No substance above 0.1 wt%
-------------------------------------	----------------------------

Phoenix Contact 2026 © - all rights reserved  
<https://www.phoenixcontact.com>

Phoenix Contact USA  
586 Fulling Mill Road  
Middletown, PA 17057, United States  
(+717) 944-1300  
[info@phoenixcon.com](mailto:info@phoenixcon.com)