

MCR-FL-D-T-2SP-230 - Digital display



2864244

<https://www.phoenixcontact.com/us/products/2864244>

Please be informed that the data shown in this PDF document is generated from our online catalog. Please find the complete data in the user documentation. Our general terms of use for downloads are valid.

MCR digital display, for measurement and display of temperatures and linear mV characteristic curves, auxiliary power supply 230 V DC



Commercial data

Item number	2864244
Packing unit	1 pc
Note	Made to order (non-returnable)
Sales key	NULL
Product key	DK1141
GTIN	4017918820671
Weight per piece (including packing)	343.9 g
Weight per piece (excluding packing)	337.2 g
Customs tariff number	90291000
Country of origin	DE

MCR-FL-D-T-2SP-230 - Digital display



2864244

<https://www.phoenixcontact.com/us/products/2864244>

Technical data

Product properties

Product type	Display module
--------------	----------------

Electrical properties

Test voltage, input/output/supply	500 V _{rms} / 2.3 kV _{rms} , 50/60 Hz, 1 min.
-----------------------------------	---

Supply

Supply voltage range	90 V AC ... 260 V AC
Power consumption	max. 6 VA

Input data

Signal

Max. voltage input signal	10 V DC
Available input sources	Resistance thermometers in 2, 3 or 4-conductor technology (in accordance with DIN 43760/DIN IEC 751), e.g. Pt 100/Pt 1000 (-200...+800°C) Thermocouple sensors (in accordance with DIN IEC 584-1/DIN 43710): B, E, J, K, N, R, S, T
Switching level "1" signal	4 V DC ... 30 V DC
Switching level "0" signal	0 V DC ... 2 V DC
System hum suppression	Digital filtering 50/60 Hz
Input reset impulse	> 5 ms to reset the totalizer / the relay outputs
Measuring rate	1 measurement/second

Measurement

Input resistance of voltage input	> 2 MΩ
-----------------------------------	--------

Measurement

Temperature measuring range: Pt 100	-200 °C ... 800 °C (freely adjustable)
Temperature measuring range: Pt 1000	-200 °C ... 800 °C (freely adjustable)
Temperature measuring range: Thermoelement Typ B	0 °C ... 1820 °C (freely adjustable)
Temperature measuring range: Thermoelement Typ E	-200 °C ... 1000 °C (freely adjustable)
Temperature measuring range: Thermoelement Typ J	-210 °C ... 1200 °C (freely adjustable)
Temperature measuring range: Thermoelement Typ K	-200 °C ... 1372 °C (freely adjustable)
Temperature measuring range: Thermoelement Typ N	-200 °C ... 1300 °C (freely adjustable)
Temperature measuring range: Thermoelement Typ R	-50 °C ... 1760 °C (freely adjustable)
Temperature measuring range: Thermoelement Typ S	-50 °C ... 1760 °C (freely adjustable)
Temperature measuring range: Thermoelement Typ T	-210 °C ... 400 °C (freely adjustable)
Linear resistance measuring range	0 Ω ... 4000 Ω (Fault tolerance ± 2 Ω) 0 Ω ... 400 Ω (Fault tolerance ± 0.2 Ω)
Linear mV signal range	0 mV ... 100 mV -100 mV ... 100 mV

MCR-FL-D-T-2SP-230 - Digital display



2864244

<https://www.phoenixcontact.com/us/products/2864244>

Output data

Switching:

Contact switching type	2 changeover contacts
Contact material	AgCdO
Maximum switching voltage	300 V DC 250 V AC
Min. switching current	30 mA DC
Max. switching current	3 A
Interrupting rating (ohmic load) max.	50 W 2000 VA

Connection data

Connection method	Pluggable screw connection
Stripping length	8 mm
Screw thread	M2
Conductor cross-section rigid	0.14 mm ² ... 1 mm ²
Conductor cross-section flexible	0.14 mm ² ... 1.5 mm ²
Conductor cross-section AWG	26 ... 16
Connection method	Pluggable screw connection
Stripping length	8 mm
Screw thread	M3
Conductor cross-section rigid	0.2 mm ² ... 2.5 mm ²
Conductor cross-section flexible	0.2 mm ² ... 2.5 mm ²
Conductor cross-section AWG	24 ... 14

Dimensions

Width	96 mm
Height	48 mm
Depth	93.1 mm

Material specifications

Housing material	Macrolon 2405
------------------	---------------

Environmental and real-life conditions

Ambient conditions

Degree of protection	IP65 (Front)
Ambient temperature (operation)	-20 °C ... 65 °C
Ambient temperature (storage/transport)	-40 °C ... 85 °C

Approvals

CE

Certificate	CE-compliant
-------------	--------------

MCR-FL-D-T-2SP-230 - Digital display

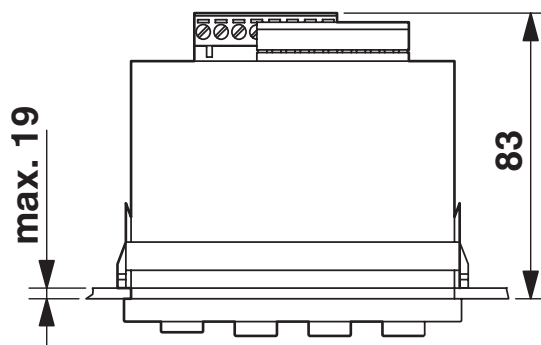
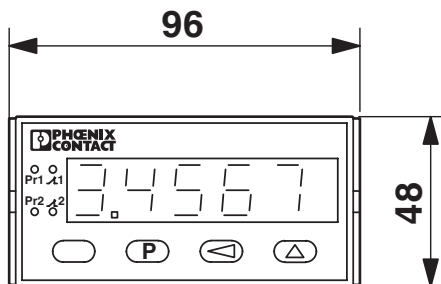
2864244

<https://www.phoenixcontact.com/us/products/2864244>



Drawings

Dimensional drawing



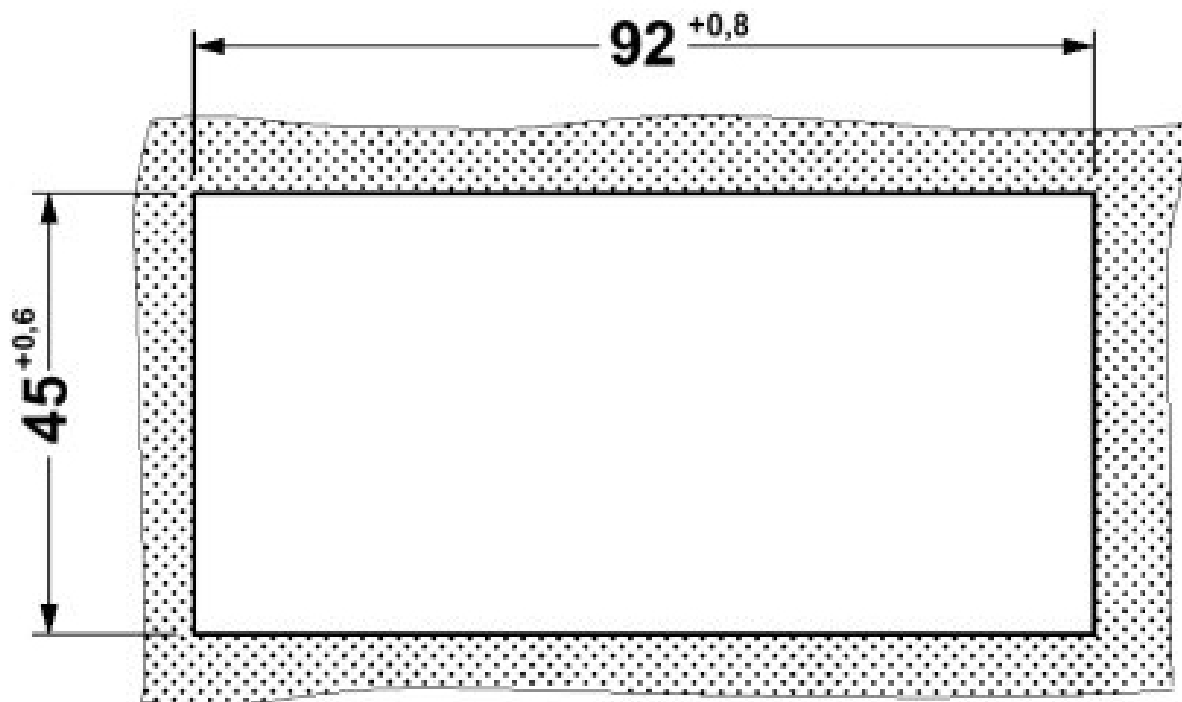
MCR-FL-D-T-2SP-230 - Digital display

2864244

<https://www.phoenixcontact.com/us/products/2864244>



Dimensional drawing

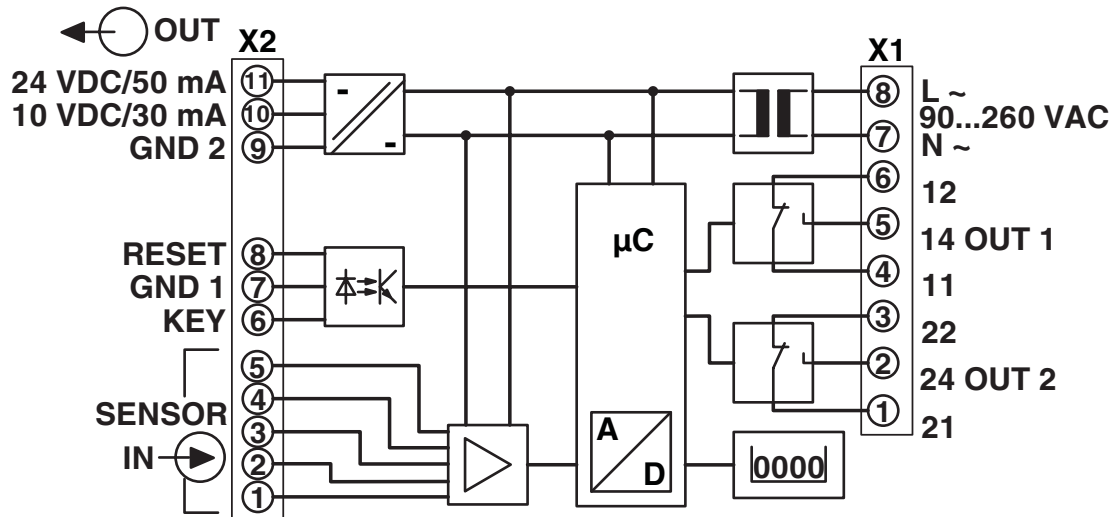


MCR-FL-D-T-2SP-230 - Digital display

2864244

<https://www.phoenixcontact.com/us/products/2864244>

Circuit diagram



MCR-FL-D-T-2SP-230 - Digital display



2864244

<https://www.phoenixcontact.com/us/products/2864244>

Environmental product compliance

China RoHS

Environment friendly use period (EFUP)	EFUP-50 An article-related China RoHS declaration table can be found in the download area for the respective article under "Manufacturer declaration". For all articles with EFUP-E, no China RoHS declaration table issued and required.
--	--

EU REACH SVHC

REACH candidate substance (CAS No.)	No substance above 0.1 wt%
-------------------------------------	----------------------------

Phoenix Contact 2026 © - all rights reserved
<https://www.phoenixcontact.com>

Phoenix Contact USA
586 Fulling Mill Road
Middletown, PA 17057, United States
(+717) 944-1300
info@phoenixcon.com