

MCR-FL-D-U-I-2SP- 24 - Digital display



2864215

<https://www.phoenixcontact.com/us/products/2864215>

Please be informed that the data shown in this PDF document is generated from our online catalog. Please find the complete data in the user documentation. Our general terms of use for downloads are valid.

MCR digital display, for measurement and display of standard signals, auxiliary power supply 24 V DC



Your advantages

- 96 x 48 mm display
- Electrical isolation
- 5-digit display
- Totalizer
- 2 relay outputs with freely adjustable limit values
- For standard analog signals
- Programmable

Commercial data

Item number	2864215
Packing unit	1 pc
Note	Made to order (non-returnable)
Sales key	C401
Product key	DK1141
GTIN	4017918820688
Weight per piece (including packing)	321.4 g
Weight per piece (excluding packing)	301.4 g
Customs tariff number	90303330
Country of origin	DE

MCR-FL-D-U-I-2SP- 24 - Digital display



2864215

<https://www.phoenixcontact.com/us/products/2864215>

Technical data

Product properties

Product type	Digital displays
--------------	------------------

Electrical properties

Maximum power dissipation for nominal condition	2 W
Test voltage, input/output/supply	500 V _{rms} / 2.3 kV _{rms} , 50/60 Hz, 1 min.

Supply

Supply voltage range	10 V DC ... 30 V DC
Power consumption	max. 2 W

Input data

Signal

Voltage input signal	0 V ... 10 V
	-10 V ... 10 V
Max. voltage input signal	± 30 V
Current input signal	0 mA ... 20 mA
	4 mA ... 20 mA
Max. current input signal	50 mA
Switching level "1" signal	4 V DC ... 30 V DC
Switching level "0" signal	0 V DC ... 2 V DC
Input resistance of voltage input	> 1 MΩ
Input resistance current input	< 50 Ω
Resolution inputs (voltage)	1 mV
Resolution inputs (current)	2 μA
System hum suppression	Digital filtering 50/60 Hz
Input latch signal	Display stop
Input reset impulse	> 5 ms to reset the totalizer / the relay outputs
Measuring rate	Approximately 2 measurements/second

Output data

Switching: Relay

Contact switching type	2 changeover contacts
Contact material	AgCdO
Maximum switching voltage	300 V DC
	250 V AC
Min. switching current	30 mA DC
Max. switching current	3 A
Interrupting rating (ohmic load) max.	50 W
	2000 VA

MCR-FL-D-U-I-2SP- 24 - Digital display



2864215

<https://www.phoenixcontact.com/us/products/2864215>

Connection data

Connection method	Pluggable screw connection
Stripping length	8 mm
Screw thread	M2
Conductor cross-section rigid	0.14 mm ² ... 1 mm ²
Conductor cross-section flexible	0.14 mm ² ... 1.5 mm ²
Conductor cross-section AWG	26 ... 16
Connection method	Pluggable screw connection
Stripping length	8 mm
Screw thread	M3
Conductor cross-section rigid	0.2 mm ² ... 2.5 mm ²
Conductor cross-section flexible	0.2 mm ² ... 2.5 mm ²
Conductor cross-section AWG	24 ... 14

Dimensions

Width	96 mm
Height	48 mm
Depth	93.1 mm

Material specifications

Housing material	Macrolon 2405
------------------	---------------

Environmental and real-life conditions

Ambient conditions

Degree of protection	IP65 (Front)
Ambient temperature (operation)	-20 °C ... 65 °C
Ambient temperature (storage/transport)	-40 °C ... 85 °C

Approvals

CE

Certificate	CE-compliant
-------------	--------------

UL, USA/Canada

Identification	UL 508 Recognized
----------------	-------------------

MCR-FL-D-U-I-2SP- 24 - Digital display

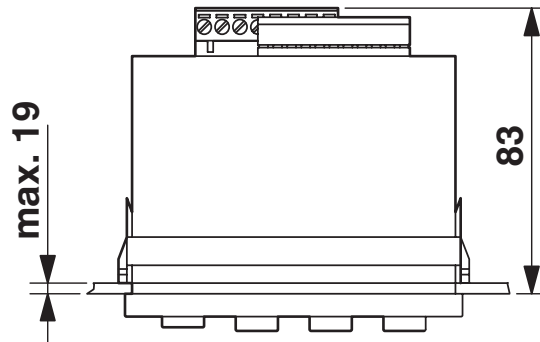
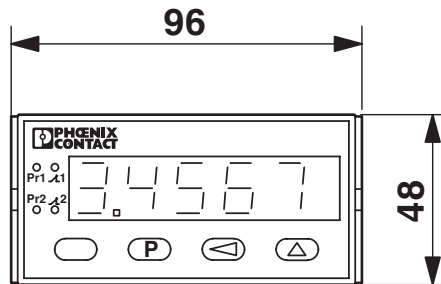
2864215

<https://www.phoenixcontact.com/us/products/2864215>



Drawings

Dimensional drawing



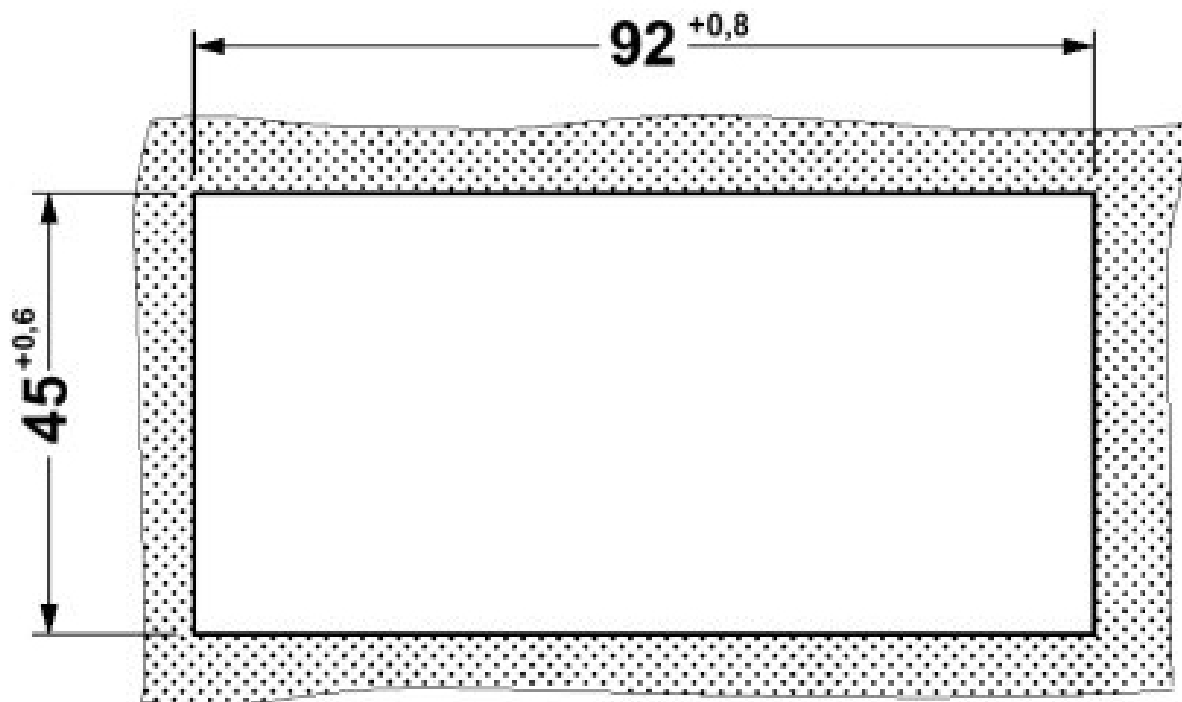
MCR-FL-D-U-I-2SP- 24 - Digital display

2864215

<https://www.phoenixcontact.com/us/products/2864215>



Dimensional drawing



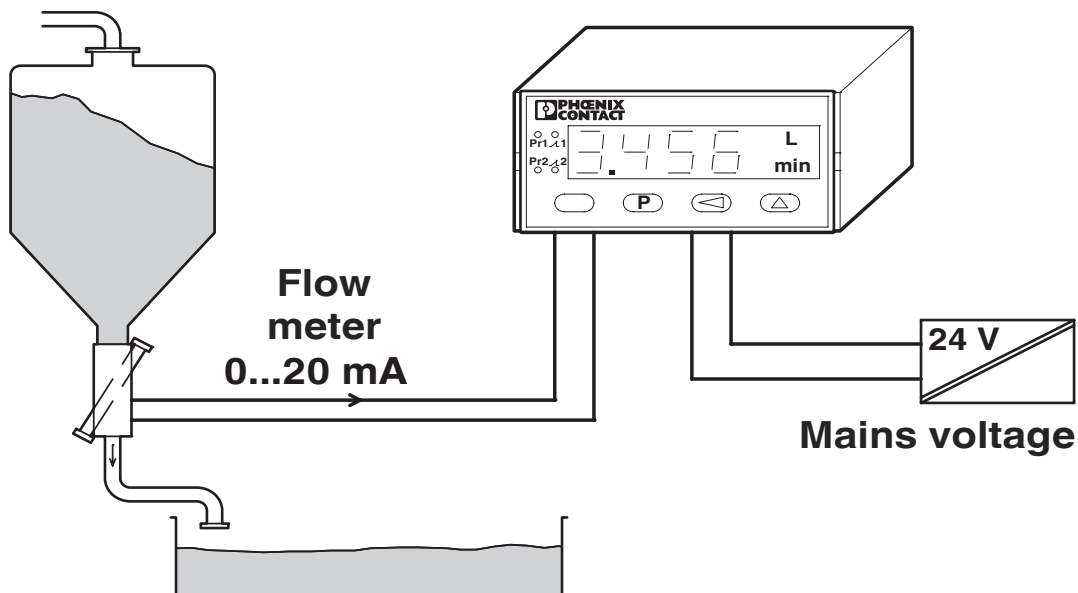
MCR-FL-D-U-I-2SP- 24 - Digital display



2864215

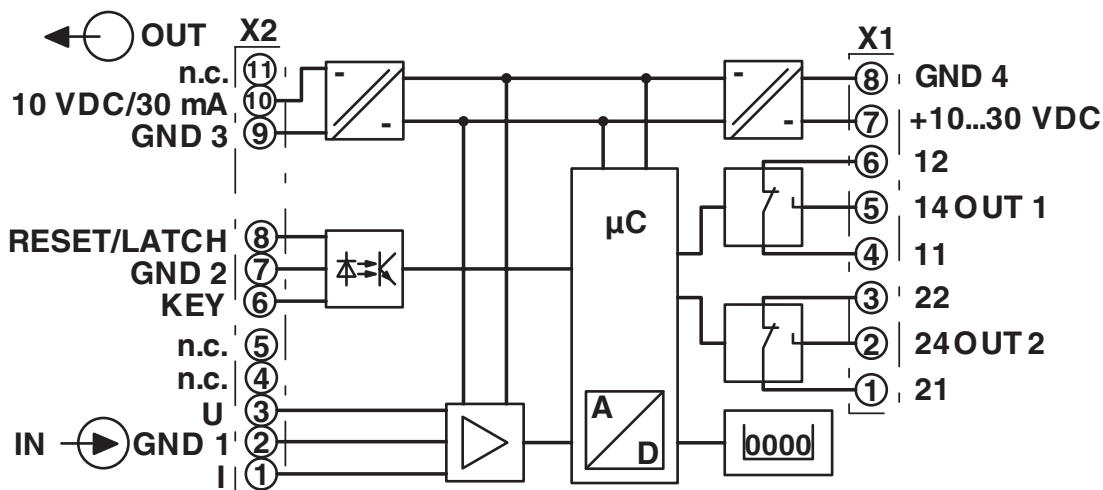
<https://www.phoenixcontact.com/us/products/2864215>

Application drawing



Flow measurement and display

Circuit diagram



MCR-FL-D-U-I-2SP- 24 - Digital display



2864215

<https://www.phoenixcontact.com/us/products/2864215>

Approvals

🔗 To download certificates, visit the product detail page: <https://www.phoenixcontact.com/us/products/2864215>



cUL Recognized
Approval ID: FILE E 197577



UL Recognized
Approval ID: FILE E 197577



EAC
Approval ID: RU C-DE.A*30.B.01082

MCR-FL-D-U-I-2SP- 24 - Digital display



2864215

<https://www.phoenixcontact.com/us/products/2864215>

Environmental product compliance

EU RoHS

Fulfills EU RoHS substance requirements	Yes, No exemptions
---	--------------------

China RoHS

Environment friendly use period (EFUP)	EFUP-E
	No hazardous substances above the limits

EU REACH SVHC

REACH candidate substance (CAS No.)	No substance above 0.1 wt%
-------------------------------------	----------------------------

Phoenix Contact 2026 © - all rights reserved
<https://www.phoenixcontact.com>

Phoenix Contact USA
586 Fulling Mill Road
Middletown, PA 17057, United States
(+717) 944-1300
info@phoenixcon.com