

# MINI MCR-SL-UI-2I-SP-NC - Input signal conditioner



2864189

<https://www.phoenixcontact.com/us/products/2864189>

Please be informed that the data shown in this PDF document is generated from our online catalog. Please find the complete data in the user documentation. Our general terms of use for downloads are valid.



MCR 4-way signal duplicator for electrical isolation and doubling of analog signals with spring-cage connection, standard configuration. Replacement part: 2905028 MINI MCR-2-UNI-UI-2UI-PT.

## Product description

The 6.2 mm wide configurable 4-way isolating amplifier MINI MCR-SL-UI-2I-... is used for electrical isolation, conversion, amplification and filtering of standard signals.

On the input side, the analog standard signals 0...20 mA, 4...20 mA, 0...10 V or 1...5V can be selected, on the output side there are two current outputs that can be set independently of one another with a 0...20 mA-, or 4...20mA signal, electrically isolated (4-way isolation).

The DIP switches, which can be accessed on the side of the housing, can be used to configure the input and output signal ranges.

Power (19.2 V DC to 30 V DC) can be supplied through connection terminal blocks on the modules or in conjunction with the DIN rail connector.

## Your advantages

- Power supply possible via the foot element (TBUS)
- Duplication of a standard analog signal on two current outputs
- Highly-compact isolating amplifier for electrical isolation, conversion, amplification, filtering, and duplication of standard analog signals
- 4-way isolation
- Up to 8 signal combinations can be configured using DIP switches

## Commercial data

Item number	2864189
Packing unit	1 pc
Note	Made to order (non-returnable)
Sales key	C403
Product key	DK1131
GTIN	4017918974817
Weight per piece (including packing)	82.3 g
Weight per piece (excluding packing)	62.9 g
Customs tariff number	85437090
Country of origin	DE

# MINI MCR-SL-UI-2I-SP-NC - Input signal conditioner



2864189

<https://www.phoenixcontact.com/us/products/2864189>

## Technical data


### Product properties

Product type	Input signal conditioner
Product family	MINI Analog
No. of channels	2

### Insulation characteristics

Overvoltage category	II
Pollution degree	2

### Electrical properties

Rated insulation voltage	50 V AC/DC
Electrical isolation	Basic insulation in accordance with EN 61010
Electrical isolation between input and output	yes
Limit frequency (3 dB)	approx. 35 Hz
Maximum power dissipation for nominal condition	500 mW
Test voltage, input/output/supply	1.5 kV AC (50 Hz, 60 s)
Protective circuit	Transient protection
Step response (0–99%)	≈  ms
Maximum temperature coefficient	< 0.01 %/K
Temperature coefficient, typical	< 0.004 %/K
Maximum transmission error	≤ 0.2 % (of final value)
Transmission error, typical	< 0.1 %

### Supply

Nominal supply voltage	24 V DC
Supply voltage range	19.2 V DC ... 30 V DC (The DIN rail connector (ME 6,2 TBUS-2 1,5/5-ST-3,81 GN, item no. 2869728) can be used to bridge the supply voltage. It can be snapped onto a 35 mm DIN rail in accordance with EN 60715)
Max. current consumption	< 30 mA (at 24 V DC incl. load)
Power consumption	< 600 mW

### Input data

#### Signal

Number of inputs	1
Configurable/programmable	Yes, unconfigured
Voltage input signal	0 V ... 10 V (please indicate if different setting when ordering) 1 V ... 5 V
Max. voltage input signal	30 V
Current input signal	0 mA ... 20 mA 4 mA ... 20 mA
Max. current input signal	50 mA
Input resistance of voltage input	approx. 100 kΩ

# MINI MCR-SL-UI-2I-SP-NC - Input signal conditioner



2864189

<https://www.phoenixcontact.com/us/products/2864189>

Input resistance current input	approx. 50 $\Omega$
--------------------------------	---------------------

## Output data

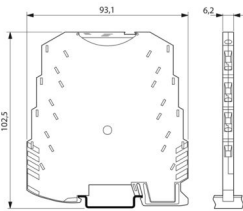
### Signal

Number of outputs	2
Configurable/programmable	Yes, unconfigured
Open-circuit voltage	9 V
Current output signal	2x 0 mA ... 20 mA 2x 4 mA ... 20 mA
Max. current output signal	approx. 22 mA
Load/output load current output	$\leq 250 \Omega$ (at 20 mA)
Ripple	< 20 mV <sub>PP</sub> (at 250 $\Omega$ )

## Connection data

Connection method	Spring-cage connection
Stripping length	8 mm
Conductor cross-section rigid	0.2 mm <sup>2</sup> ... 2.5 mm <sup>2</sup>
Conductor cross-section flexible	0.2 mm <sup>2</sup> ... 2.5 mm <sup>2</sup>
Conductor cross-section AWG	24 ... 12

## Dimensions

Dimensional drawing	
Width	6.2 mm
Height	93.1 mm
Depth	102.5 mm

## Material specifications

Color	green (RAL 6021)
Housing material	PBT
Fire protection for rail vehicles (DIN EN 45545-2) R22	HL 1 - HL 2
Fire protection for rail vehicles (DIN EN 45545-2) R23	HL 1 - HL 2
Fire protection for rail vehicles (DIN EN 45545-2) R24	HL 1 - HL 2

## Environmental and real-life conditions

### Ambient conditions

Degree of protection	IP20
Ambient temperature (operation)	-20 °C ... 60 °C
Ambient temperature (storage/transport)	-40 °C ... 85 °C

# MINI MCR-SL-UI-2I-SP-NC - Input signal conditioner



2864189

<https://www.phoenixcontact.com/us/products/2864189>

Permissible humidity (operation)	10 % ... 95 % (non-condensing)
----------------------------------	--------------------------------

## Approvals

### CE

Certificate	CE-compliant
-------------	--------------

### ATEX

Identification	Ⓔ II 3 G Ex nA IIC T4 Gc X
----------------	----------------------------

### UL, USA/Canada

Identification	UL 508 Recognized
	Class I, Div. 2, Groups A, B, C, D T5

### GL

Identification	GL EMC 2 D
----------------	------------

## EMC data

Electromagnetic compatibility	Conformance with EMC directive
Noise immunity	EN 61000-6-2
Note	When being exposed to interference, there may be minimal deviations.

### Noise emission

Standards/regulations	EN 61000-6-4
-----------------------	--------------

### Electrostatic discharge

Standards/regulations	EN 61000-4-2
-----------------------	--------------

### Electrostatic discharge

Comments	Safety measures must be taken to prevent electrostatic discharge.
----------	---

### Electromagnetic HF field

Designation	Electromagnetic RF field
Standards/regulations	EN 61000-4-3
Typical deviation from the measuring range final value	5 %

### Fast transients (burst)

Designation	Fast transients (burst)
Standards/regulations	EN 61000-4-4
Typical deviation from the measuring range final value	5 %

### Surge current load (surge)

Standards/regulations	EN 61000-4-5
-----------------------	--------------

### Surge current load (surge)

Comments	Criterion B
----------	-------------

### Conducted interference

# MINI MCR-SL-UI-2I-SP-NC - Input signal conditioner



2864189

<https://www.phoenixcontact.com/us/products/2864189>

Designation	Conducted interferences
Standards/regulations	EN 61000-4-6
Typical deviation from the measuring range final value	5 %

## Standards and regulations

Electrical isolation	Basic insulation in accordance with EN 61010
----------------------	--

## Mounting

Mounting type	DIN rail mounting
Assembly note	The DIN rail connector can be used for bridging the supply voltage. It can be snapped onto a 35 mm EN 60715 DIN rail.
Mounting position	any

# MINI MCR-SL-UI-2I-SP-NC - Input signal conditioner



2864189

<https://www.phoenixcontact.com/us/products/2864189>

## Drawings



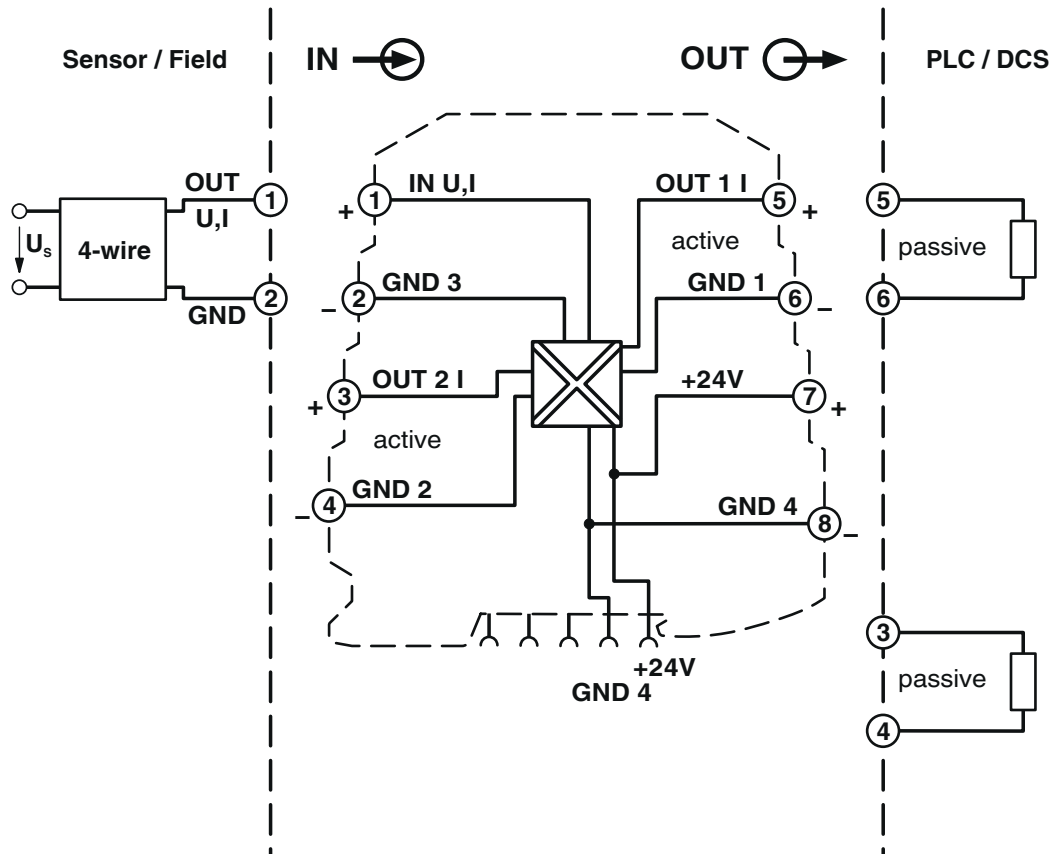
# MINI MCR-SL-UI-2I-SP-NC - Input signal conditioner



2864189

<https://www.phoenixcontact.com/us/products/2864189>

Block diagram



2864189

<https://www.phoenixcontact.com/us/products/2864189>

## Environmental product compliance

### EU RoHS

Fulfills EU RoHS substance requirements	Yes
Exemption	7(a), 7(c)-I

### China RoHS

Environment friendly use period (EFUP)	EFUP-50
	An article-related China RoHS declaration table can be found in the download area for the respective article under "Manufacturer declaration". For all articles with EFUP-E, no China RoHS declaration table issued and required.

### EU REACH SVHC

REACH candidate substance (CAS No.)	Lead(CAS: 7439-92-1)
-------------------------------------	----------------------

Phoenix Contact 2026 © - all rights reserved  
<https://www.phoenixcontact.com>

Phoenix Contact USA  
586 Fulling Mill Road  
Middletown, PA 17057, United States  
(+717) 944-1300  
[info@phoenixcon.com](mailto:info@phoenixcon.com)