

MINI MCR-SL-PTB-SP - Power terminal block



2864147

<https://www.phoenixcontact.com/us/products/2864147>

Please be informed that the data shown in this PDF document is generated from our online catalog. Please find the complete data in the user documentation. Our general terms of use for downloads are valid.



MCR feed-in terminal for supplying several MINI Analog modules via a DIN rail connector, with spring-cage connection, maximum current consumption of up to 2 A. Replacement part: 2902067 MINI MCR-2-PTB-PT.

Your advantages

- For supplying the supply voltage via the foot element (DIN rail connector) where DC voltages of up to 30 V are already available
- Status and error indication via diagnostic LEDs
- For up to 2 A
- For up to 80 MINI analog modules
- Redundant supply decoupled from diode possible

Commercial data

Item number	2864147
Packing unit	1 pc
Note	Made to order (non-returnable)
Sales key	C403
Product key	DK113Z
GTIN	4017918974787
Weight per piece (including packing)	79.4 g
Weight per piece (excluding packing)	59.8 g
Customs tariff number	85437090
Country of origin	DE

MINI MCR-SL-PTB-SP - Power terminal block



2864147

<https://www.phoenixcontact.com/us/products/2864147>

Technical data

Product properties

Product type	Feed-in module
Product family	MINI Analog

Input data

Input voltage	24 V DC
Input voltage range DC	20 V DC ... 30 V DC
Max. input current	2 A
Reverse polarity protection	yes

Output data

Output voltage range	Input voltage - 0.8 V
Maximum power dissipation for nominal condition	< 5 mW

Connection data

Input

Connection method	Spring-cage connection
Conductor cross-section, rigid min.	0.2 mm ²
Conductor cross-section, rigid max.	2.5 mm ²
Conductor cross-section flexible min.	0.2 mm ²
Conductor cross-section flexible max.	2.5 mm ²
Conductor cross-section AWG min.	24
Conductor cross-section AWG max.	12
Stripping length	8 mm

Signaling

Status display	Green LED (supply)
Error indication	Red LED

Dimensions

Dimensional drawing	
Width	6.2 mm
Height	93.1 mm
Depth	102.5 mm

Material specifications

MINI MCR-SL-PTB-SP - Power terminal block



2864147

<https://www.phoenixcontact.com/us/products/2864147>

Housing material	PBT
Fire protection for rail vehicles (DIN EN 45545-2) R22	HL 1 - HL 2
Fire protection for rail vehicles (DIN EN 45545-2) R23	HL 1 - HL 2
Fire protection for rail vehicles (DIN EN 45545-2) R24	HL 1 - HL 2

Environmental and real-life conditions

Ambient conditions

Degree of protection	IP20
Ambient temperature (operation)	-20 °C ... 65 °C
Ambient temperature (storage/transport)	-40 °C ... 85 °C

Approvals

Conformity/Approvals

Conformance	CE-compliant
ATEX	Ⓜ II 3 G Ex nA IIC T4 Gc X
UL, USA / Canada	UL 508 Recognized Class I, Div. 2, Groups A, B, C, D T5
GL	GL EMC 2 D

EMC data

Electromagnetic compatibility	Conformance with EMC directive
Noise immunity	EN 61000-6-2
Note	When being exposed to interference, there may be minimal deviations.

Noise emission

Standards/regulations	EN 61000-6-4
-----------------------	--------------

Electrostatic discharge

Standards/regulations	EN 61000-4-2
-----------------------	--------------

Electrostatic discharge

Comments	Safety measures must be taken to prevent electrostatic discharge.
----------	---

Electromagnetic HF field

Designation	Electromagnetic RF field
Standards/regulations	EN 61000-4-3
Evaluation criterion	A

Fast transients (burst)

Designation	Fast transients (burst)
Standards/regulations	EN 61000-4-4
Evaluation criterion	B

Surge current load (surge)

Standards/regulations	EN 61000-4-5
-----------------------	--------------

MINI MCR-SL-PTB-SP - Power terminal block



2864147

<https://www.phoenixcontact.com/us/products/2864147>

Surge current load (surge)

Comments	Criterion B
----------	-------------

Conducted interference

Designation	Conducted interferences
Standards/regulations	EN 61000-4-6
Evaluation criterion	A

Mounting

Mounting type	DIN rail mounting
Assembly note	The DIN rail connector can be used for bridging the supply voltage. It can be snapped onto a 35 mm EN 60715 DIN rail.
Mounting position	any

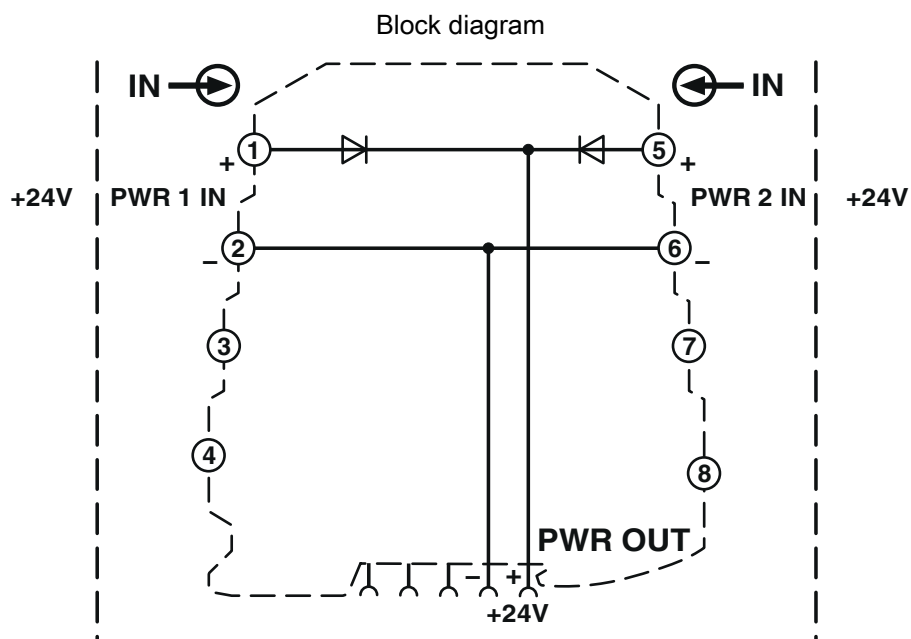
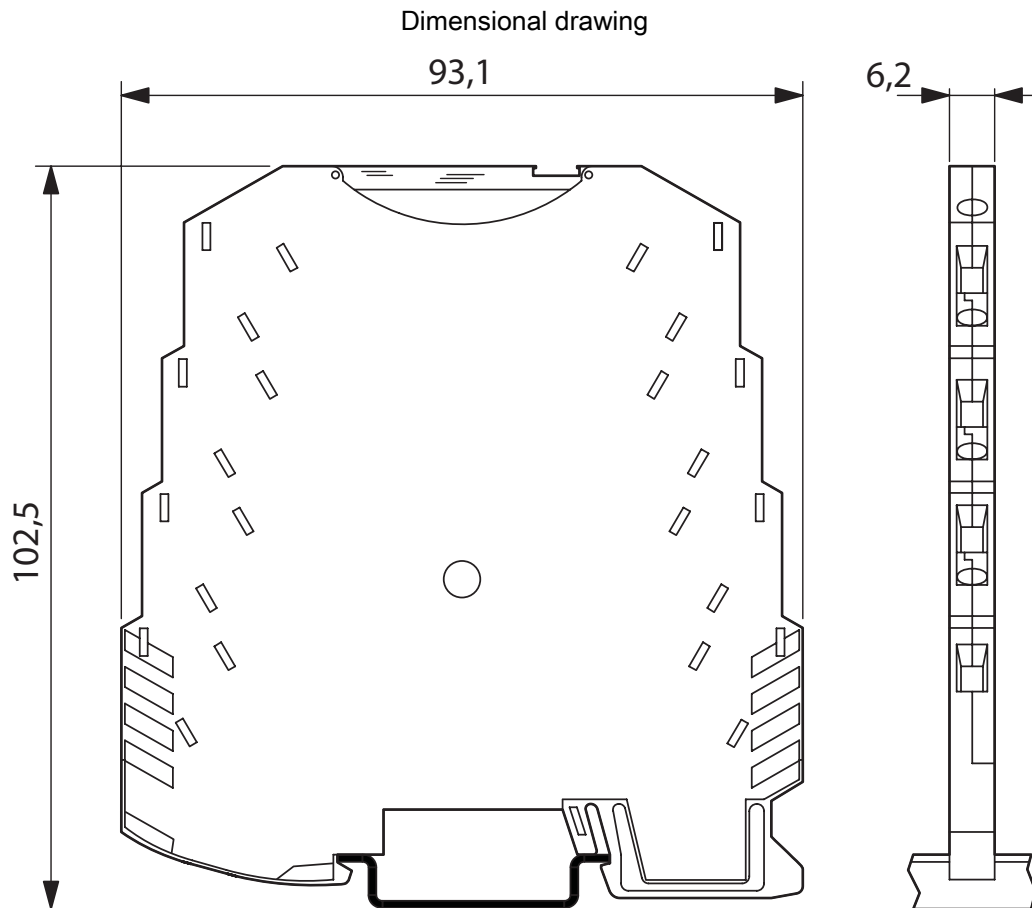
MINI MCR-SL-PTB-SP - Power terminal block



2864147

<https://www.phoenixcontact.com/us/products/2864147>

Drawings



MINI MCR-SL-PTB-SP - Power terminal block



2864147

<https://www.phoenixcontact.com/us/products/2864147>

Environmental product compliance

China RoHS

Environment friendly use period (EFUP)	EFUP-50
	An article-related China RoHS declaration table can be found in the download area for the respective article under "Manufacturer declaration". For all articles with EFUP-E, no China RoHS declaration table issued and required.

EU REACH SVHC

REACH candidate substance (CAS No.)	No substance above 0.1 wt%
-------------------------------------	----------------------------

Phoenix Contact 2026 © - all rights reserved
<https://www.phoenixcontact.com>

Phoenix Contact USA
586 Fulling Mill Road
Middletown, PA 17057, United States
(+717) 944-1300
info@phoenixcon.com