

MCR-SL-D-TE-JK - Digital display



2864121

<https://www.phoenixcontact.com/us/products/2864121>

Please be informed that the data shown in this PDF document is generated from our online catalog. Please find the complete data in the user documentation. Our general terms of use for downloads are valid.



MCR digital display, for measuring temperatures, thermocouples / 5-fig. display

Commercial data

| | |
|--------------------------------------|--------------------------------|
| Item number | 2864121 |
| Packing unit | 1 pc |
| Note | Made to order (non-returnable) |
| Sales key | C401 |
| Product key | DK1141 |
| GTIN | 4017918902247 |
| Weight per piece (including packing) | 131.4 g |
| Weight per piece (excluding packing) | 131.4 g |
| Customs tariff number | 90291090 |
| Country of origin | DE |

MCR-SL-D-TE-JK - Digital display



2864121

<https://www.phoenixcontact.com/us/products/2864121>

Technical data

Product properties

| | |
|--------------|------------------|
| Product type | Digital displays |
|--------------|------------------|

Electrical properties

| | |
|--------------|-----------------------------|
| Test voltage | 500 V AC (50/60 Hz, 1 min.) |
|--------------|-----------------------------|

Supply

| | |
|--------------------------|---------------------|
| Supply voltage range | 10 V DC ... 30 V DC |
| Max. current consumption | 50 mA |

Input data

Signal

| | |
|----------------------------|--------------------|
| Switching level "1" signal | 4 V DC ... 30 V DC |
| Switching level "0" signal | 0 V DC ... 2 V DC |

Measurement

| | |
|--|---|
| Temperature measuring range: Thermoelement Typ J | -210 °C ... 1200 °C (freely adjustable) |
| Temperature measuring range: Thermoelement Typ K | -200 °C ... 1372 °C (freely adjustable) |

Dimensions

| | |
|--------|-------|
| Width | 48 mm |
| Height | 24 mm |
| Depth | 68 mm |

Material specifications

| | |
|------------------|---------------|
| Housing material | Macrolon 2405 |
|------------------|---------------|

Environmental and real-life conditions

Ambient conditions

| | |
|---|------------------|
| Degree of protection | IP65 (Front) |
| Ambient temperature (operation) | -20 °C ... 65 °C |
| Ambient temperature (storage/transport) | -40 °C ... 85 °C |

EMC data

| | |
|-------------------------------|--------------------------------|
| Electromagnetic compatibility | Conformance with EMC directive |
|-------------------------------|--------------------------------|

MCR-SL-D-TE-JK - Digital display

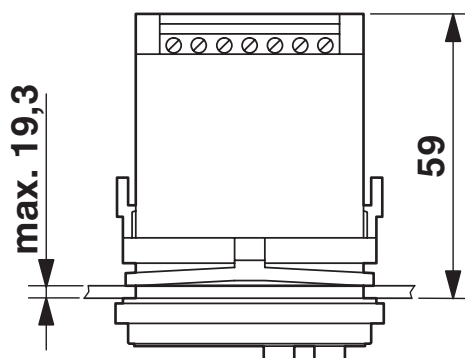
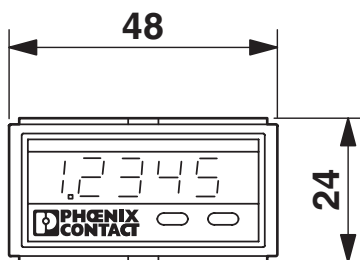
2864121

<https://www.phoenixcontact.com/us/products/2864121>



Drawings

Dimensional drawing



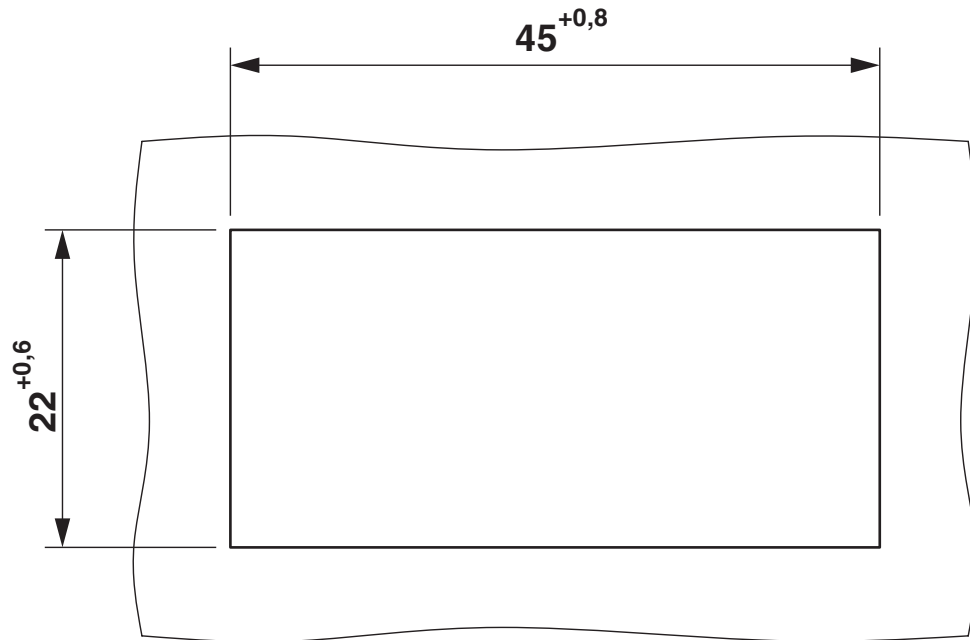
MCR-SL-D-TE-JK - Digital display

2864121

<https://www.phoenixcontact.com/us/products/2864121>



Dimensional drawing



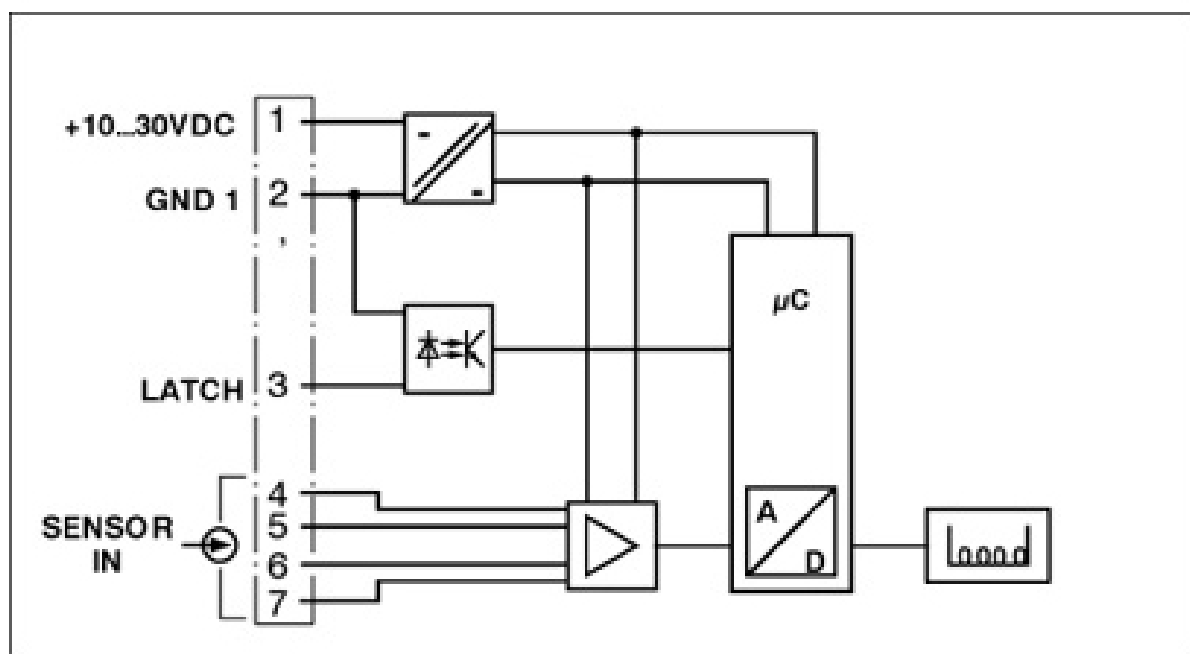
MCR-SL-D-TE-JK - Digital display

2864121

<https://www.phoenixcontact.com/us/products/2864121>



Circuit diagram



MCR-SL-D-TE-JK - Digital display

2864121

<https://www.phoenixcontact.com/us/products/2864121>



Environmental product compliance

EU REACH SVHC

| REACH candidate substance (CAS No.) | |
|-------------------------------------|--|
|-------------------------------------|--|

| | |
|--|----------------------------|
| | No substance above 0.1 wt% |
|--|----------------------------|

Phoenix Contact 2026 © - all rights reserved

<https://www.phoenixcontact.com>

Phoenix Contact USA
586 Fulling Mill Road
Middletown, PA 17057, United States
(+717) 944-1300
info@phoenixcon.com