

MCR-SL-D-PT100 - Digital display



2864119

<https://www.phoenixcontact.com/us/products/2864119>

Please be informed that the data shown in this PDF document is generated from our online catalog. Please find the complete data in the user documentation. Our general terms of use for downloads are valid.



MCR digital display, for measuring temperatures, PT resistance thermometer / 5-fig. display

Commercial data

Item number	2864119
Packing unit	1 pc
Note	Made to order (non-returnable)
Sales key	C401
Product key	DK1141
GTIN	4017918902230
Weight per piece (including packing)	128.5 g
Weight per piece (excluding packing)	128.5 g
Customs tariff number	85389091
Country of origin	DE

MCR-SL-D-PT100 - Digital display



2864119

<https://www.phoenixcontact.com/us/products/2864119>

Technical data

Product properties

Product type	Digital displays
--------------	------------------

Electrical properties

Test voltage	500 V AC (50/60 Hz, 1 min.)
--------------	-----------------------------

Supply

Supply voltage range	10 V DC ... 30 V DC
Max. current consumption	50 mA

Input data

Signal

Switching level "1" signal	4 V DC ... 30 V DC
Switching level "0" signal	0 V DC ... 2 V DC

Measurement

Temperature measuring range: Pt 100	-200 °C ... 850 °C (freely adjustable)
-------------------------------------	--

Dimensions

Width	48 mm
Height	24 mm
Depth	68 mm

Material specifications

Housing material	Macrolon 2405
------------------	---------------

Environmental and real-life conditions

Ambient conditions

Degree of protection	IP65 (Front)
Ambient temperature (operation)	-20 °C ... 65 °C
Ambient temperature (storage/transport)	-40 °C ... 85 °C

EMC data

Electromagnetic compatibility	Conformance with EMC directive
-------------------------------	--------------------------------

MCR-SL-D-PT100 - Digital display

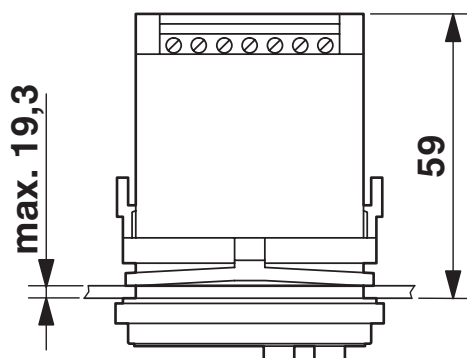
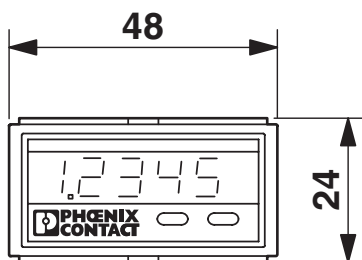
2864119

<https://www.phoenixcontact.com/us/products/2864119>



Drawings

Dimensional drawing



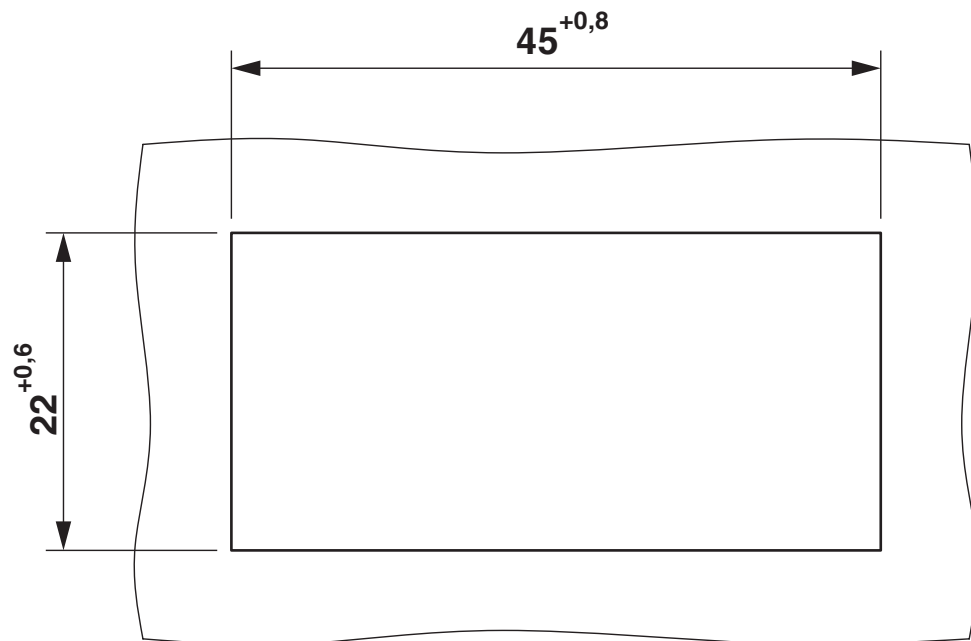
MCR-SL-D-PT100 - Digital display

2864119

<https://www.phoenixcontact.com/us/products/2864119>



Dimensional drawing



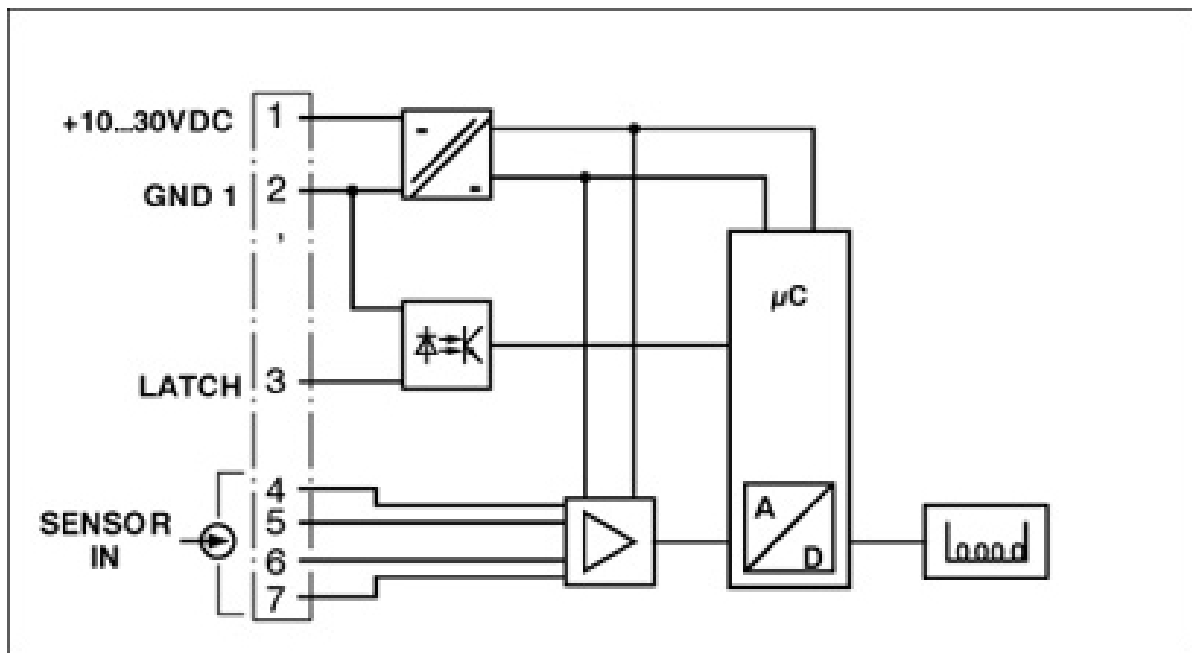
MCR-SL-D-PT100 - Digital display

2864119

<https://www.phoenixcontact.com/us/products/2864119>



Circuit diagram



MCR-SL-D-PT100 - Digital display



2864119

<https://www.phoenixcontact.com/us/products/2864119>

Environmental product compliance

EU REACH SVHC

REACH candidate substance (CAS No.)	
-------------------------------------	--

	No substance above 0.1 wt%
--	----------------------------

Phoenix Contact 2026 © - all rights reserved

<https://www.phoenixcontact.com>

Phoenix Contact USA
586 Fulling Mill Road
Middletown, PA 17057, United States
(+717) 944-1300
info@phoenixcon.com