

# MINI MCR-SL-NAM-2RNO - Isolation switch amplifier



2864105

<https://www.phoenixcontact.com/us/products/2864105>

Please be informed that the data shown in this PDF document is generated from our online catalog. Please find the complete data in the user documentation. Our general terms of use for downloads are valid.



Configurable NAMUR switching amplifier for proximity sensors, floating switching contacts and switching contacts with resistance circuit. On the output side 2 N/O contact, with screw connection

## Product description

The 6.2 mm wide MINI MCR-SL-NAM-2RNO... is a configurable 4-way isolation amplifier. It is suited for the operation of proximity sensors in acc. with EN 60947-5-6 and switches and also has two relay outputs. The second output can either be used to duplicate signals or for signaling faults for the sensor line.

The DIP switches are accessible on the housing side and allow the following parameters to be configured:

- Switchover from open circuit to closed circuit current behavior
- Activation of line fault detection of the sensor line as well as
- Selection of signal duplication/fault signaling

Power (19.2 V DC to 30 V DC) can be supplied through connection terminal blocks on the modules or in conjunction with the DIN rail connector.

## Your advantages

- Floating contacts and contacts with resistance circuit can be connected
- Power supply possible via the foot element (TBUS)
- Highly compact isolation amplifier for electrical isolation, amplification, and duplication of proximity sensor signals
- For proximity sensors according to IEC 60947-5-6 and EN 50227
- Second output can be used as a duplicator or error signaling output
- Error indication via diagnostic LED and analog signal
- N/O contacts at output
- Input and output signals can be configured via DIP switches
- Operating current/closed circuit current switch-over (inverted switching behavior)

## Commercial data

Item number	2864105
Packing unit	1 pc
Minimum order quantity	1 pc
Sales key	C403
Product key	DK1133
GTIN	4046356046459
Weight per piece (including packing)	100 g
Weight per piece (excluding packing)	71.2 g
Customs tariff number	85365019
Country of origin	DE

## Technical data

### Notes

#### Utilization restriction

EMC note	EMC: class A product, see manufacturer's declaration in the download area
----------	---

### Product properties

Product type	Isolating switch amplifier
Product family	MINI Analog
No. of channels	1
Configuration	DIP switches

### System properties

#### Functionality

Configuration	DIP switches
---------------	--------------

### Electrical properties

Electrical isolation	4-way isolation
Electrical isolation between input and output	yes

#### Electrical isolation

Overvoltage category	II
Pollution degree	2

#### Electrical isolation Input/power supply IEC/EN 61010

Standards/regulations	IEC/EN 61010
Rated insulation voltage	30 V AC
	50 V DC
Insulation	Basic insulation

#### Electrical isolation Input/output

Rated insulation voltage	150 V AC
Insulation	Reinforced insulation

#### Electrical isolation Supply/output

Rated insulation voltage	150 V AC
Insulation	Reinforced insulation

#### Electrical isolation Output 1/output 2

Rated insulation voltage	150 V AC
Insulation	Reinforced insulation

#### Electrical isolation Input/output/power supply

Test voltage	1.5 kV AC (50 Hz, 60 s)
--------------	-------------------------

# MINI MCR-SL-NAM-2RNO - Isolation switch amplifier



2864105

<https://www.phoenixcontact.com/us/products/2864105>

## Supply

Nominal supply voltage	24 V DC
Supply voltage range	19.2 V DC ... 30 V DC (The DIN rail connector (ME 6,2 TBUS-2 1,5/5-ST-3,81 GN, item no. 2869728) can be used to bridge the supply voltage. It can be snapped onto a 35 mm DIN rail in accordance with EN 60715)
Max. current consumption	< 25 mA
Power consumption	< 600 mW

## Input data

### Signal: NAMUR

Number of inputs	1
Available input sources	NAMUR proximity sensors (IEC/EN 60947-5-6) floating switch contacts Switch contacts with resistance circuit
Switching threshold "0" signal current	< 1.2 mA (blocking)
Switching threshold "1" signal, current	> 2.1 mA (conductive)
Line fault detection	> 6 mA (Short circuit) < 0.35 mA (Line break) Activated /deactivated via DIP switch
Open-circuit voltage	8.2 V DC $\pm$ 10 %

## Output data

### Switching: Relay

Output description	Output 1: Signal output; Output 2: Fault signaling output or signal duplicator, can be set via DIP switches
Contact switching type	2 N/O contacts
Contact material	Hard gold plated AgNi
Maximum switching voltage	250 V AC 125 V DC 150 V AC (UL) 125 V DC (UL)
Maximum inrush current	2 A
Min. switching current	1 mA (5 V DC)
Typical response time	15 ms
Typical turn-off time	20 ms
Switching frequency	0.5 Hz (240 V AC / 30 V DC / 2 A) 10 Hz (without load)

### Signal

Number of outputs	2
-------------------	---

## Connection data

Connection method	Screw connection
-------------------	------------------

# MINI MCR-SL-NAM-2RNO - Isolation switch amplifier



2864105

<https://www.phoenixcontact.com/us/products/2864105>

Stripping length	12 mm
Screw thread	M3
Conductor cross-section rigid	0.2 mm <sup>2</sup> ... 2.5 mm <sup>2</sup>
Conductor cross-section flexible	0.2 mm <sup>2</sup> ... 2.5 mm <sup>2</sup>
Conductor cross-section AWG	26 ... 12

## Signaling

Status display	Red LED (error messages)
	Yellow LED (relay status messages)

## Dimensions

Dimensional drawing	
Width	6.2 mm
Height	93.1 mm
Depth	101.2 mm

## Material specifications

Color	green (RAL 6021)
Housing material	PBT
Fire protection for rail vehicles (DIN EN 45545-2) R22	HL 1 - HL 2
Fire protection for rail vehicles (DIN EN 45545-2) R23	HL 1 - HL 2
Fire protection for rail vehicles (DIN EN 45545-2) R24	HL 1 - HL 2

## Environmental and real-life conditions

### Ambient conditions

Degree of protection	IP20
Ambient temperature (operation)	-20 °C ... 65 °C
Ambient temperature (storage/transport)	-40 °C ... 85 °C
Altitude	≤ 2000 m
Permissible humidity (operation)	5 % ... 95 % (non-condensing)

## Approvals

### CE

Certificate	CE-compliant
-------------	--------------

### UL, USA/Canada

Identification	UL 508 Recognized
	Class I, Div. 2, Groups A, B, C, D T4

2864105

<https://www.phoenixcontact.com/us/products/2864105>

## EMC data

Electromagnetic compatibility	Conformance with EMC directive
Noise immunity	EN 61000-6-2
Note	When being exposed to interference, there may be minimal deviations.

### Noise emission

Standards/regulations	EN 61000-6-4
-----------------------	--------------

### Electromagnetic HF field

Designation	Electromagnetic RF field
Standards/regulations	EN 61000-4-3
Evaluation criterion	A

### Fast transients (burst)

Designation	Fast transients (burst)
Standards/regulations	EN 61000-4-4
Evaluation criterion	A

### Conducted interference

Designation	Conducted interferences
Standards/regulations	EN 61000-4-6
Evaluation criterion	A

## Standards and regulations

Electrical isolation	4-way isolation
----------------------	-----------------

## Mounting

Mounting type	DIN rail mounting
Mounting position	any

# MINI MCR-SL-NAM-2RNO - Isolation switch amplifier



2864105

<https://www.phoenixcontact.com/us/products/2864105>

## Drawings



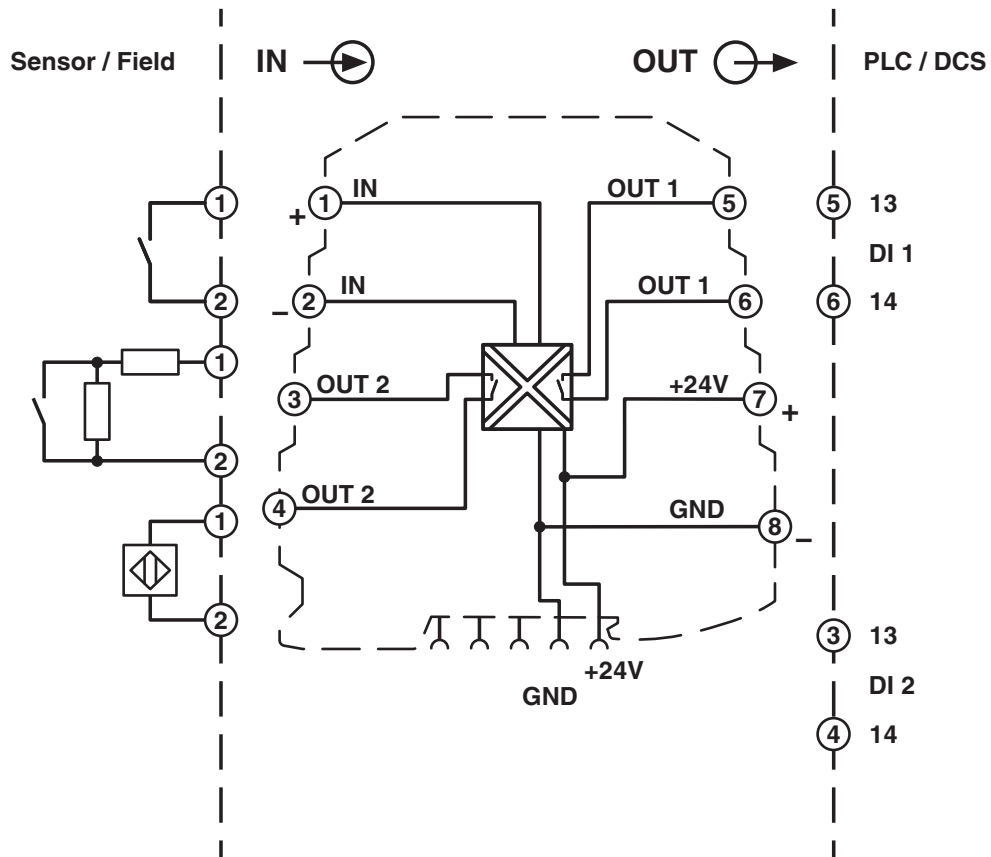
# MINI MCR-SL-NAM-2RNO - Isolation switch amplifier



2864105

<https://www.phoenixcontact.com/us/products/2864105>

Block diagram



# MINI MCR-SL-NAM-2RNO - Isolation switch amplifier



2864105

<https://www.phoenixcontact.com/us/products/2864105>

## Approvals

To download certificates, visit the product detail page: <https://www.phoenixcontact.com/us/products/2864105>



**cUL Recognized**  
Approval ID: E238705



**UL Recognized**  
Approval ID: E238705

**DNV**

Approval ID: TAA000020N



**cUL Listed**  
Approval ID: E199827



**UL Listed**  
Approval ID: E199827

# MINI MCR-SL-NAM-2RNO - Isolation switch amplifier



2864105

<https://www.phoenixcontact.com/us/products/2864105>

## Classifications

### ECLASS

ECLASS-13.0	27210121
ECLASS-15.0	27210121

### ETIM

ETIM 10.0	EC001485
-----------	----------

### UNSPSC

UNSPSC 21.0	39121000
-------------	----------

2864105

<https://www.phoenixcontact.com/us/products/2864105>

## Environmental product compliance

### EU RoHS

Fulfills EU RoHS substance requirements	Yes
Exemption	7(a), 7(c)-I

### China RoHS

Environment friendly use period (EFUP)	EFUP-50
	An article-related China RoHS declaration table can be found in the download area for the respective article under "Manufacturer declaration". For all articles with EFUP-E, no China RoHS declaration table issued and required.

### EU REACH SVHC

REACH candidate substance (CAS No.)	Lead(CAS: 7439-92-1)
	2,2',6,6'-tetrabromo-4,4'-isopropylidenediphenol(CAS: 79-94-7)
SCIP	6c6ab73b-1a05-446f-bf21-c6c060b1b5c1

### EF3.1 Climate Change

CO2e kg	2.298 kg CO2e
---------	---------------

Phoenix Contact 2026 © - all rights reserved  
<https://www.phoenixcontact.com>

Phoenix Contact USA  
 586 Fulling Mill Road  
 Middletown, PA 17057, United States  
 (+717) 944-1300  
[info@phoenixcon.com](mailto:info@phoenixcon.com)