

# MINI MCR-SL-R-UI - Resistance/potiposition transducer



2864095

<https://www.phoenixcontact.com/us/products/2864095>

Please be informed that the data shown in this PDF document is generated from our online catalog. Please find the complete data in the user documentation. Our general terms of use for downloads are valid.



MCR potiposition transducer for conversion of potentiometer positions into a standard analog signal, 0  $\Omega$  input... 100  $\Omega$  to 0 k $\Omega$  ... 100 k $\Omega$

## Product description

The narrow 6.2 mm MINI MCR-SL-R-UI... potiposition transducer converts potentiometer positions into a standard analog signal on a percentage basis. If the potentiometer range cannot be utilized to the full, an externally accessible slide switch is used to set the upper and lower potentiometer final values. The output signal between 0% and 100% is based on this set final value.

The DIP switches, which can be accessed on the side of the housing, are used to configure the following parameters:

- Output signal
- Automatic potentiometer detection
- Wire-break detection slider
- Type of error evaluation

Power (19.2 V DC to 30 V DC) can either be supplied via the connection terminal blocks of the modules or in conjunction with the DIN rail connector.

## Your advantages

- Power supply possible via the foot element (TBUS)
- Automatic potentiometer detection without manual adjustment
- Error indication via diagnostic LED and analog signal
- For 100  $\Omega$  to 100 k $\Omega$  potentiometers
- potentiometer signals to create standard signals
- Configurable measuring range and output signals
- Highly-compact potentiometer transducer for electrical isolation, conversion, amplification, and filtering of
- Input and output signals can be configured via DIP switches
- 3-way isolation
- A potentiometer sub-range can be linearized via the "teach-in" switch on the device

## Commercial data

Item number	2864095
Packing unit	1 pc
Minimum order quantity	1 pc
Sales key	C403
Product key	DK1139
GTIN	4046356046442
Weight per piece (including packing)	96.5 g
Weight per piece (excluding packing)	73.17 g

# MINI MCR-SL-R-UI - Resistance/potipotition transducer



2864095

<https://www.phoenixcontact.com/us/products/2864095>

Customs tariff number	85437090
Country of origin	DE

# MINI MCR-SL-R-UI - Resistance/potiposition transducer



2864095

<https://www.phoenixcontact.com/us/products/2864095>

## Technical data

### Notes

#### Utilization restriction

EMC note	EMC: class A product, see manufacturer's declaration in the download area
----------	---

### Product properties

Product type	Potiposition transducer
Product family	MINI Analog
No. of channels	1
Configuration	DIP switches

### System properties

#### Functionality

Configuration	DIP switches
---------------	--------------

### Electrical properties

Electrical isolation	3-way isolation
Maximum power dissipation for nominal condition	235.5 mW
Step response (0–99%)	< 30 ms
Maximum temperature coefficient	< 0.02 %/K
Temperature coefficient, typical	< 0.02 %/K
Maximum transmission error	< 0.2 %

#### Electrical isolation

Overvoltage category	II
Pollution degree	2

#### Electrical isolation Input/output/power supply IEC/EN 61010

Standards/regulations	IEC/EN 61010
Rated insulation voltage	30 V AC
	50 V DC
Test voltage	1.5 kV AC (50 Hz, 60 s)
Insulation	Basic insulation

#### Supply

Nominal supply voltage	24 V DC
Supply voltage range	19.2 V DC ... 30 V DC (The DIN rail connector (ME 6,2 TBUS-2 1,5/5-ST-3,81 GN, item no. 2869728) can be used to bridge the supply voltage. It can be snapped onto a 35 mm DIN rail in accordance with EN 60715)
Typical current consumption	< 25 mA (at 24 V DC)
Power consumption	< 500 mW

# MINI MCR-SL-R-UI - Resistance/potiposition transducer



2864095

<https://www.phoenixcontact.com/us/products/2864095>



## Input data

Signal: Resistance

Number of inputs	1
Resistance range	100 $\Omega$ ... 100 k $\Omega$
Reference voltage source	< 3.6 V

## Output data

Signal: Voltage/current

Number of outputs	1
Voltage output signal	0 V ... 5 V
	1 V ... 5 V
	0 V ... 10 V
	10 V ... 0 V
Max. voltage output signal	12.5 V
Open-circuit voltage	$\approx$  $\oplus$ V
Current output signal	0 mA ... 20 mA
	4 mA ... 20 mA
	20 mA ... 0 mA
	20 mA ... 4 mA
Max. current output signal	23 mA
Short-circuit current	$\approx$  mA
Load/output load voltage output	> 10 k $\Omega$
Load/output load current output	< 500 $\Omega$ (20 mA)
Ripple	< 20 mV <sub>PP</sub> (500 $\Omega$ )
	< 20 mV <sub>PP</sub> (10 k $\Omega$ )
Behavior in the event of a sensor error	0 % ... 105 % (configurable)

## Connection data

Connection method	Screw connection
Stripping length	12 mm
Screw thread	M3
Conductor cross-section rigid	0.2 mm <sup>2</sup> ... 2.5 mm <sup>2</sup>
Conductor cross-section flexible	0.2 mm <sup>2</sup> ... 2.5 mm <sup>2</sup>
Conductor cross-section AWG	26 ... 12

## Signaling

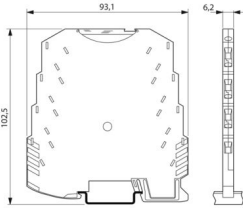
Error indication	Red LED
------------------	---------

## Dimensions

# MINI MCR-SL-R-UI - Resistance/potiposition transducer

2864095

<https://www.phoenixcontact.com/us/products/2864095>

Dimensional drawing	
Width	6.2 mm
Height	93.1 mm
Depth	101.2 mm

## Material specifications

Color	green (RAL 6021)
Housing material	PBT
Fire protection for rail vehicles (DIN EN 45545-2) R22	HL 1 - HL 2
Fire protection for rail vehicles (DIN EN 45545-2) R23	HL 1 - HL 2
Fire protection for rail vehicles (DIN EN 45545-2) R24	HL 1 - HL 2

## Environmental and real-life conditions

### Ambient conditions

Degree of protection	IP20
Ambient temperature (operation)	-20 °C ... 65 °C
Ambient temperature (storage/transport)	-40 °C ... 85 °C
Altitude	≤ 2000 m
Permissible humidity (operation)	5 % ... 95 % (non-condensing)

## Approvals

### CE

Certificate	CE-compliant
-------------	--------------

### UL, USA/Canada

Identification	UL 508 Recognized Class I, Div. 2, Groups A, B, C, D T4
----------------	--

## EMC data

Electromagnetic compatibility	Conformance with EMC directive
Noise immunity	EN 61000-6-2
Note	When being exposed to interference, there may be minimal deviations.

### Noise emission

Standards/regulations	EN 61000-6-4
-----------------------	--------------

### Electromagnetic HF field

Designation	Electromagnetic RF field
-------------	--------------------------

# MINI MCR-SL-R-UI - Resistance/potiposition transducer



2864095

<https://www.phoenixcontact.com/us/products/2864095>

Standards/regulations	EN 61000-4-3
Typical deviation from the measuring range final value	5 %

## Fast transients (burst)

Designation	Fast transients (burst)
Standards/regulations	EN 61000-4-4
Typical deviation from the measuring range final value	5 %

## Conducted interference

Designation	Conducted interferences
Standards/regulations	EN 61000-4-6
Typical deviation from the measuring range final value	5 %

## Standards and regulations

Electrical isolation	3-way isolation
----------------------	-----------------

## Mounting

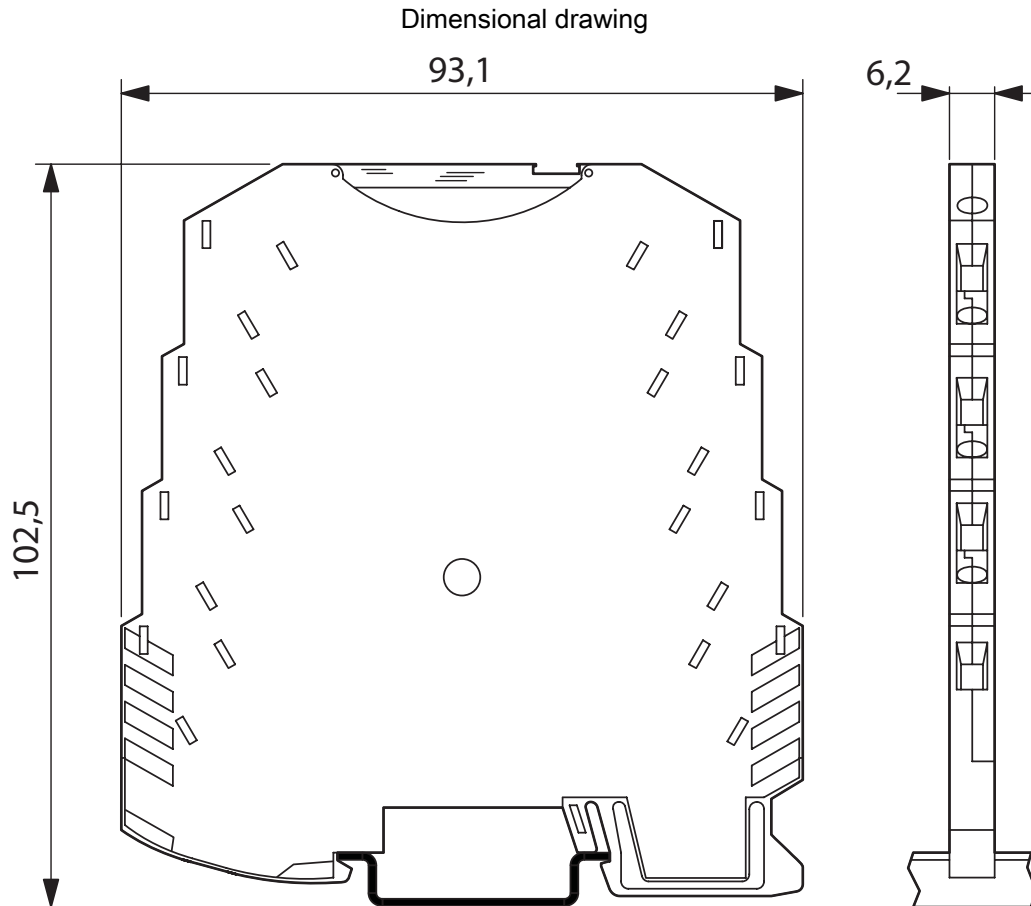
Mounting type	DIN rail mounting
Mounting position	any

# MINI MCR-SL-R-UI - Resistance/potipotition transducer

2864095

<https://www.phoenixcontact.com/us/products/2864095>

## Drawings

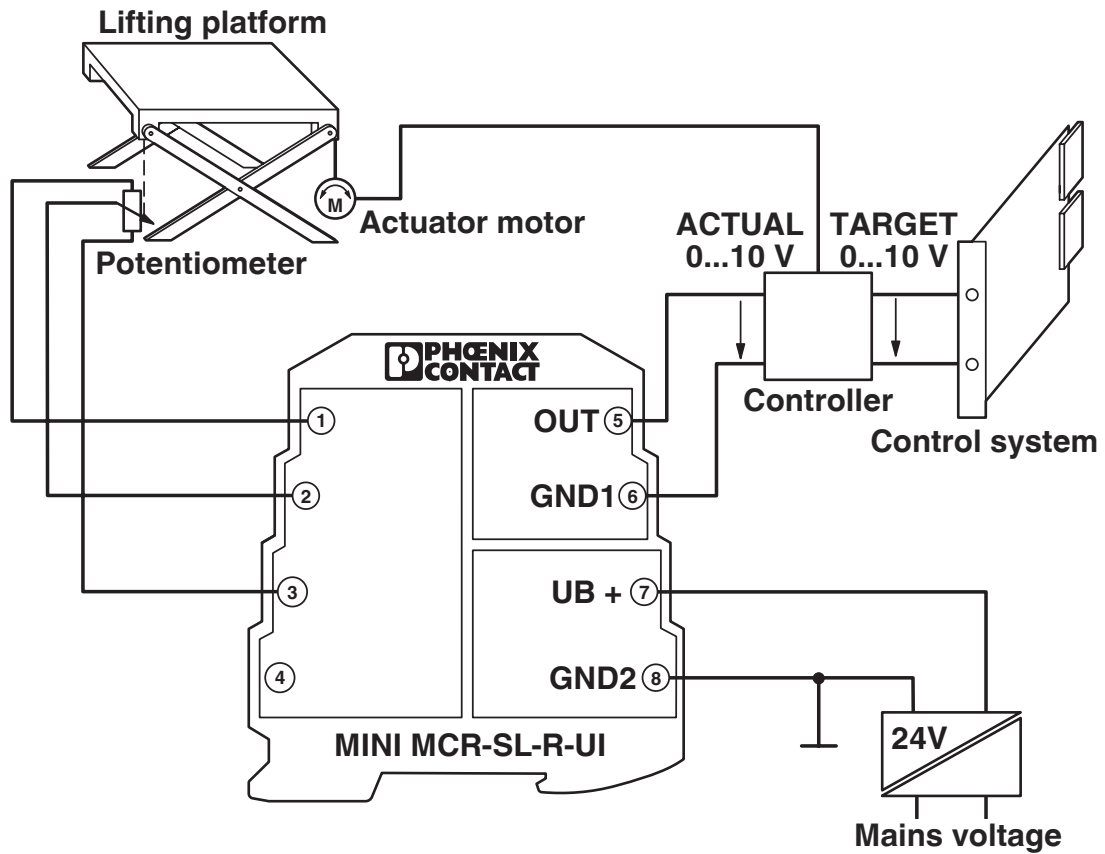


# MINI MCR-SL-R-UI - Resistance/potiposition transducer

2864095

<https://www.phoenixcontact.com/us/products/2864095>

Application drawing



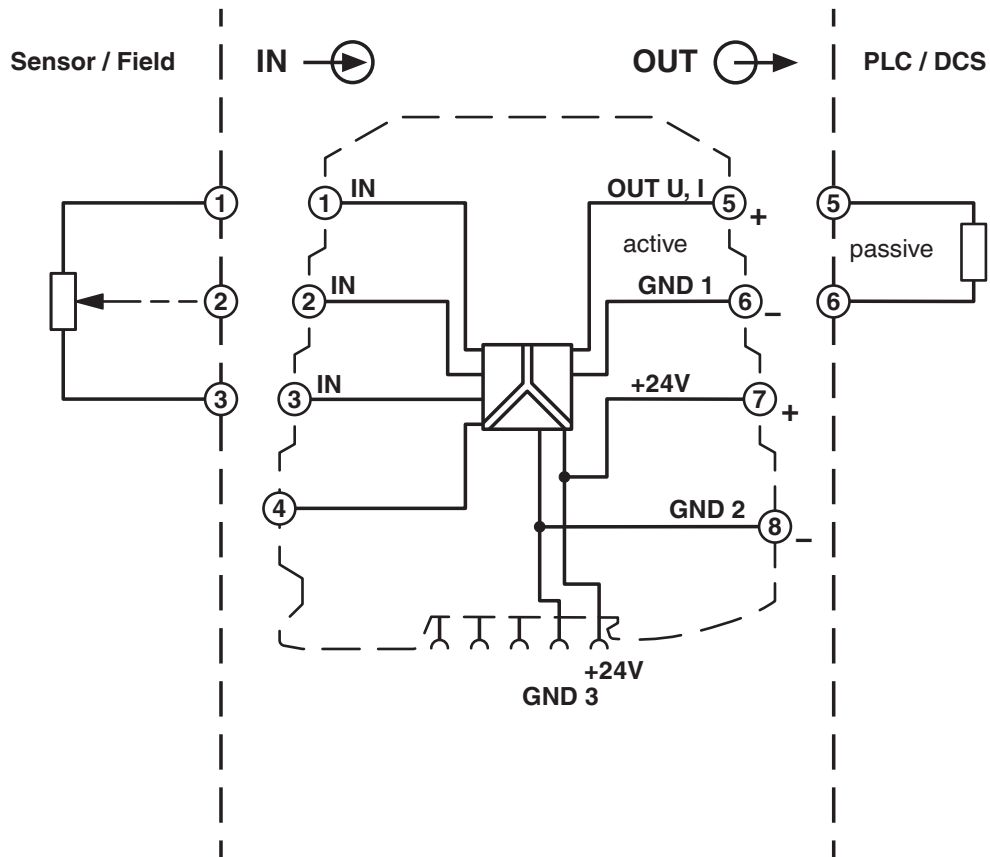
Height adjustment of a lifting platform with setpoint and actual value control

# MINI MCR-SL-R-UI - Resistance/potiposition transducer

2864095

<https://www.phoenixcontact.com/us/products/2864095>

Block diagram



# MINI MCR-SL-R-UI - Resistance/potiposition transducer



2864095

<https://www.phoenixcontact.com/us/products/2864095>

## Approvals

To download certificates, visit the product detail page: <https://www.phoenixcontact.com/us/products/2864095>



**cUL Recognized**  
Approval ID: E238705



**UL Recognized**  
Approval ID: E238705



**cUL Listed**  
Approval ID: E199827



**UL Listed**  
Approval ID: E199827

# MINI MCR-SL-R-UI - Resistance/potiposition transducer



2864095

<https://www.phoenixcontact.com/us/products/2864095>

## Classifications

### ECLASS

ECLASS-13.0	27210120
ECLASS-15.0	27210120

### ETIM

ETIM 10.0	EC002653
-----------	----------

### UNSPSC

UNSPSC 21.0	39121000
-------------	----------

# MINI MCR-SL-R-UI - Resistance/potiposition transducer



2864095

<https://www.phoenixcontact.com/us/products/2864095>

## Environmental product compliance

### EU RoHS

Fulfills EU RoHS substance requirements	Yes
Exemption	7(a), 7(c)-I

### China RoHS

Environment friendly use period (EFUP)	EFUP-50
	An article-related China RoHS declaration table can be found in the download area for the respective article under "Manufacturer declaration". For all articles with EFUP-E, no China RoHS declaration table issued and required.

### EU REACH SVHC

REACH candidate substance (CAS No.)	Lead(CAS: 7439-92-1)
SCIP	728d3133-0d2b-401b-88b2-a6f9bc2420c9

### EF3.1 Climate Change

CO2e kg	21.805 kg CO2e
---------	----------------

Phoenix Contact 2026 © - all rights reserved  
<https://www.phoenixcontact.com>

Phoenix Contact USA  
586 Fulling Mill Road  
Middletown, PA 17057, United States  
(+717) 944-1300  
[info@phoenixcon.com](mailto:info@phoenixcon.com)