

MCR-SL-D-U-I - Digital display

2864011

<https://www.phoenixcontact.com/us/products/2864011>

Please be informed that the data shown in this PDF document is generated from our online catalog. Please find the complete data in the user documentation. Our general terms of use for downloads are valid.

MCR digital display, for measurement and display of standard signals, 5-fig. display



Your advantages

- 48 x 24 mm display
- 8 mm LED, 7-segment
- Min./max. value saving
- 5-digit display
- For 0 ... 10 V and 0(4) ... 20 mA standard analog signals
- Electrical isolation
- Programmable
- Freely programmable decimal point display

Commercial data

Item number	2864011
Packing unit	1 pc
Minimum order quantity	1 pc
Sales key	C401
Product key	DK1141
GTIN	4017918820718
Weight per piece (including packing)	87 g
Weight per piece (excluding packing)	96 g
Customs tariff number	90303370
Country of origin	DE

Technical data

Product properties

Product type	Digital displays
Configuration	Keyboard

System properties

Functionality

Configuration	Keyboard
---------------	----------

Electrical properties

Maximum power dissipation for nominal condition	1.46 W
Test voltage (Input/supply)	500 V _{rms} (50/60 Hz, 1 min.)
Maximum temperature coefficient	< 0.07 %/K
Maximum transmission error	± 0.1 % (of final value)

Supply

Supply voltage range	10 V DC ... 30 V DC
Max. current consumption	50 mA
Power consumption	≤ 1.5 W

Input data

Signal

Voltage input signal	0 V ... 10 V
	2 V ... 10 V
Max. voltage input signal	30 V DC
Current input signal	0 mA ... 20 mA
	4 mA ... 20 mA
Max. current input signal	50 mA
Switching level "1" signal	4 V DC ... 30 V DC
Switching level "0" signal	0 V DC ... 2 V DC
Input resistance of voltage input	> 1 MΩ
Input resistance current input	approx. 100 Ω with 5 mA / approx. 70 Ω with 20 mA
Resolution inputs (voltage)	1 mV
Resolution inputs (current)	2 μA
System hum suppression	Digital filtering 50/60 Hz
Input latch signal	Display stop
Measuring rate	0.1s ⁻¹ / 0.5s ⁻¹

Output data

Signal

D/A converter resolution	14 bit
Number of positions displayed	5

MCR-SL-D-U-I - Digital display



2864011

<https://www.phoenixcontact.com/us/products/2864011>

Display	7-segment LED; 8 mm; red
---------	--------------------------

Connection data

Connection method	Screw connection
Stripping length	8 mm
Screw thread	M3
Conductor cross-section rigid	0.14 mm ² ... 1.5 mm ²
Conductor cross-section flexible	0.14 mm ² ... 1.5 mm ²
Conductor cross-section AWG	26 ... 16

Dimensions

Width	48 mm
Height	24 mm
Depth	68 mm

Material specifications

Housing material	Macrolon 2405
------------------	---------------

Environmental and real-life conditions

Ambient conditions

Degree of protection	IP65 (Front)
Ambient temperature (operation)	-20 °C ... 65 °C
Ambient temperature (storage/transport)	-25 °C ... 70 °C

Approvals

CE

Certificate	CE-compliant
-------------	--------------

UL, USA/Canada

Identification	UL 863
----------------	--------

EMC data

Noise immunity	EN 61000-6-2
	EN 61000-4-2

Noise emission

Standards/regulations	EN 55011 / class B
-----------------------	--------------------

Mounting

Mounting type	Panel mount
---------------	-------------

MCR-SL-D-U-I - Digital display

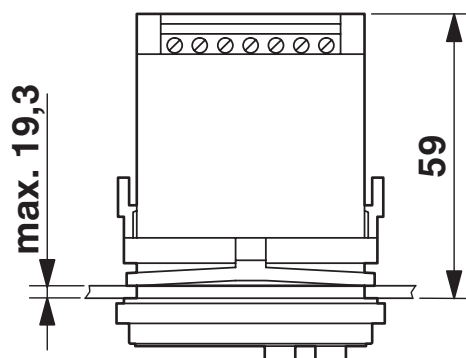
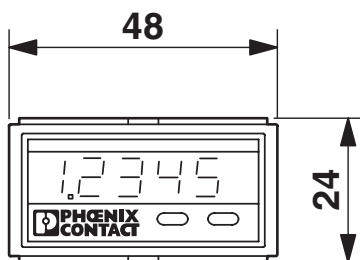
2864011

<https://www.phoenixcontact.com/us/products/2864011>



Drawings

Dimensional drawing



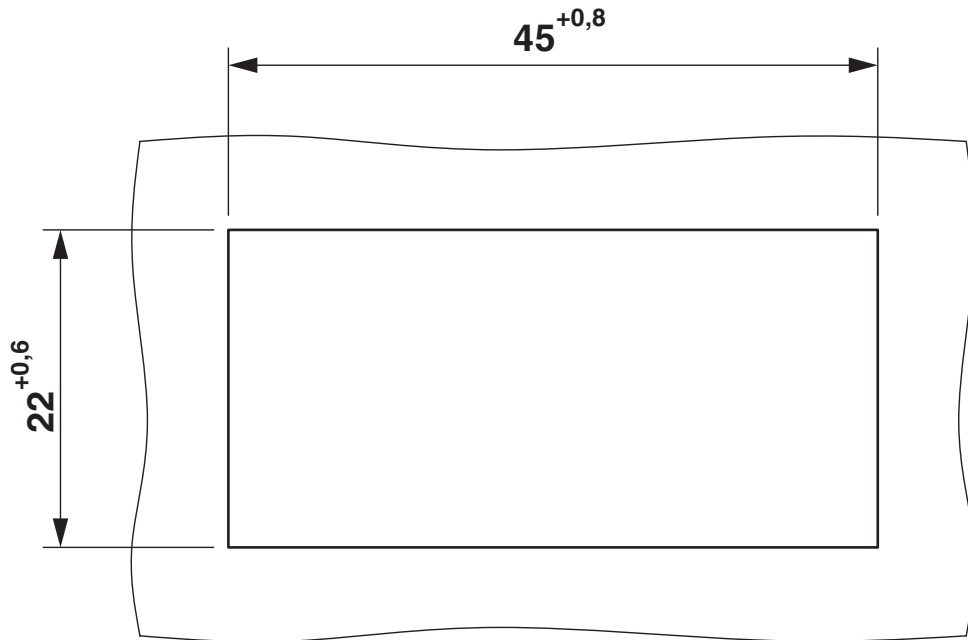
MCR-SL-D-U-I - Digital display

2864011

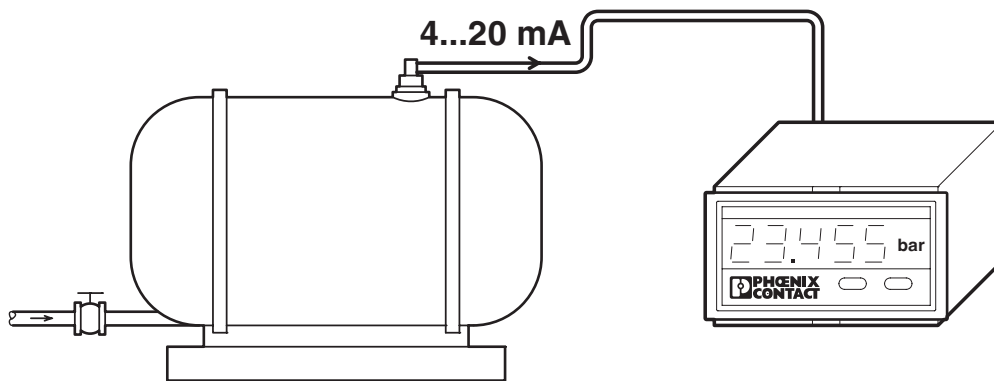
<https://www.phoenixcontact.com/us/products/2864011>



Dimensional drawing



Application drawing

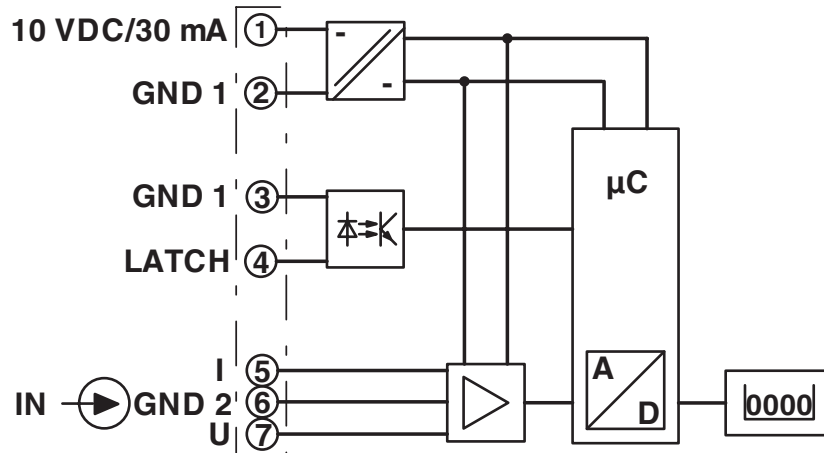


MCR-SL-D-U-I - Digital display

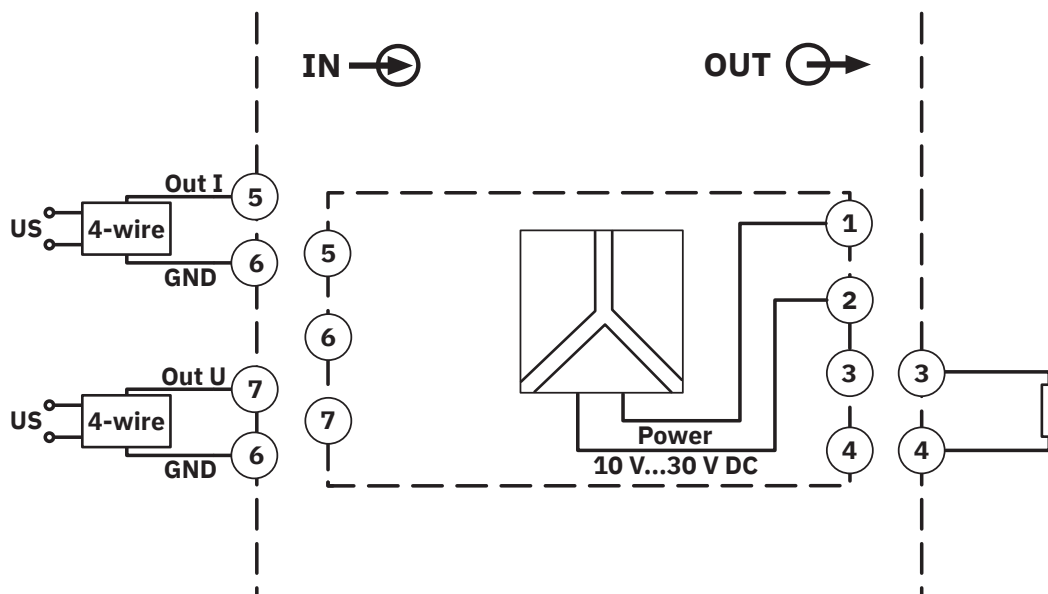
2864011

<https://www.phoenixcontact.com/us/products/2864011>

Circuit diagram



Block diagram



MCR-SL-D-U-I - Digital display



2864011

<https://www.phoenixcontact.com/us/products/2864011>

Approvals

🔗 To download certificates, visit the product detail page: <https://www.phoenixcontact.com/us/products/2864011>



cUL Recognized
Approval ID: FILE E 197577



UL Recognized
Approval ID: FILE E 197577



EAC
Approval ID: RU*DE.*08.B.01522/19

MCR-SL-D-U-I - Digital display



2864011

<https://www.phoenixcontact.com/us/products/2864011>

Classifications

ECLASS

ECLASS-13.0	27210301
ECLASS-15.0	27210301

ETIM

ETIM 10.0	EC011349
-----------	----------

UNSPSC

UNSPSC 21.0	39121000
-------------	----------

MCR-SL-D-U-I - Digital display



2864011

<https://www.phoenixcontact.com/us/products/2864011>

Environmental product compliance

EU RoHS

Fulfills EU RoHS substance requirements	Yes, No exemptions
---	--------------------

China RoHS

Environment friendly use period (EFUP)	EFUP-E
	No hazardous substances above the limits

EU REACH SVHC

REACH candidate substance (CAS No.)	No substance above 0.1 wt%
-------------------------------------	----------------------------

EF3.1 Climate Change

CO2e kg	13.052 kg CO2e
---------	----------------

Phoenix Contact 2026 © - all rights reserved
<https://www.phoenixcontact.com>

Phoenix Contact USA
586 Fulling Mill Road
Middletown, PA 17057, United States
(+717) 944-1300
info@phoenixcon.com