

2863847

<https://www.phoenixcontact.com/us/products/2863847>

Please be informed that the data shown in this PDF document is generated from our online catalog. Please find the complete data in the user documentation. Our general terms of use for downloads are valid.



Inline segment terminal, complete with accessories (connector and labeling field), 24 V DC, transmission speed 2 Mbaud, electronic fuse

## Product description

Inline terminals with "2 MBD" added to their item designation work with a transmission speed of 2 Mbps. These terminal blocks are discontinued or no longer in the range. If you require this transmission speed, please ask your local Phoenix Contact representative. If you can work with a transmission speed of 500 kbps, select as a replacement the corresponding variant that does not have "2MBD" added to its item designation. Please note that a uniform transmission speed must always be used within one inline station. The terminal is designed for use within an Inline station. This terminal can be used to create a partial circuit (segment circuit) within a main circuit. The terminal is not used for voltage supply. It therefore does not have any elements for protection against polarity reversal and surge voltage. This terminal has an LED for bus diagnostics. It occupies two input data bits, which indicate the status of the electronic fuse.

## Your advantages

- Protection of the segment circuit using an electronic fuse with short-circuit current limitation
- Diagnostic and status indicators
- Automatic creation of a segment circuit in the main circuit

## Commercial data

Item number	2863847
Packing unit	1 pc
Note	Made to order (non-returnable)
Sales key	DR01
Product key	DRI122
GTIN	4017918977740
Weight per piece (including packing)	79.3 g
Weight per piece (excluding packing)	44 g
Customs tariff number	85389091
Country of origin	DE

2863847

<https://www.phoenixcontact.com/us/products/2863847>

## Technical data

### Dimensions

Width	12.2 mm
Height	119.8 mm
Depth	71.5 mm

### Notes

#### Utilization restriction

EMC note	EMC: class A product, see manufacturer's declaration in the download area
----------	---

### Material specifications

Color	green
-------	-------

### Interfaces

#### Inline local bus

Number of interfaces	2
Connection method	Inline data jumper
Transmission speed	2 Mbps

### System properties

#### Programming data

Length code (hex)	C2
ID code (dec.)	190
Length code (dec)	194
Process data channel	2 bit
Input address area	2 bit
Output address area	0 bit
Parameter channel (PCP)	0 bit
Register length (bus)	2 bit

#### Fieldbus data telegram

Required parameter data	1 Byte
Required configuration data	4 Byte

### Product properties

Product type	I/O component
Product family	Inline
Type	modular

#### Insulation characteristics

Protection class	III (IEC 61140, EN 61140, VDE 0140-1)
------------------	---------------------------------------

## Electrical properties

Test section	5 V supply, incoming remote bus/7.5 V supply (bus logics) 500 V AC 50 Hz 1 min
	5 V supply, outgoing remote bus/7.5 V supply (bus logics) 500 V AC 50 Hz 1 min
	7.5 V supply (bus logics)/24 V supply (I/O) 500 V AC 50 Hz 1 min
	24 V supply (I/O) / functional ground 500 V AC 50 Hz 1 min

### Potentials: Communications power ( $U_L$ )

Supply voltage	7.5 V DC (via voltage jumper)
Current draw	max. 60 mA

### Potentials: Main circuit supply ( $U_M$ )

Supply voltage	24 V DC
Supply voltage range	19.2 V DC ... 30 V DC (including all tolerances, including ripple)
Current draw	max. 2.5 A (nominal value)

### Potentials: Segment circuit supply ( $U_S$ )

Supply voltage	24 V DC
Supply voltage range	19.2 V DC ... 30 V DC (including all tolerances, including ripple)
Power supply	max. 2.5 A (nominal value)

## Connection data

### Connection technology

Connection name	Inline connector
-----------------	------------------

### Inline connector

Connection method	Spring-cage connection
Conductor cross-section, rigid	0.08 mm <sup>2</sup> ... 1.5 mm <sup>2</sup>
Conductor cross-section, flexible	0.08 mm <sup>2</sup> ... 1.5 mm <sup>2</sup>
Conductor cross-section AWG	28 ... 16
Stripping length	8 mm

## Environmental and real-life conditions

### Ambient conditions

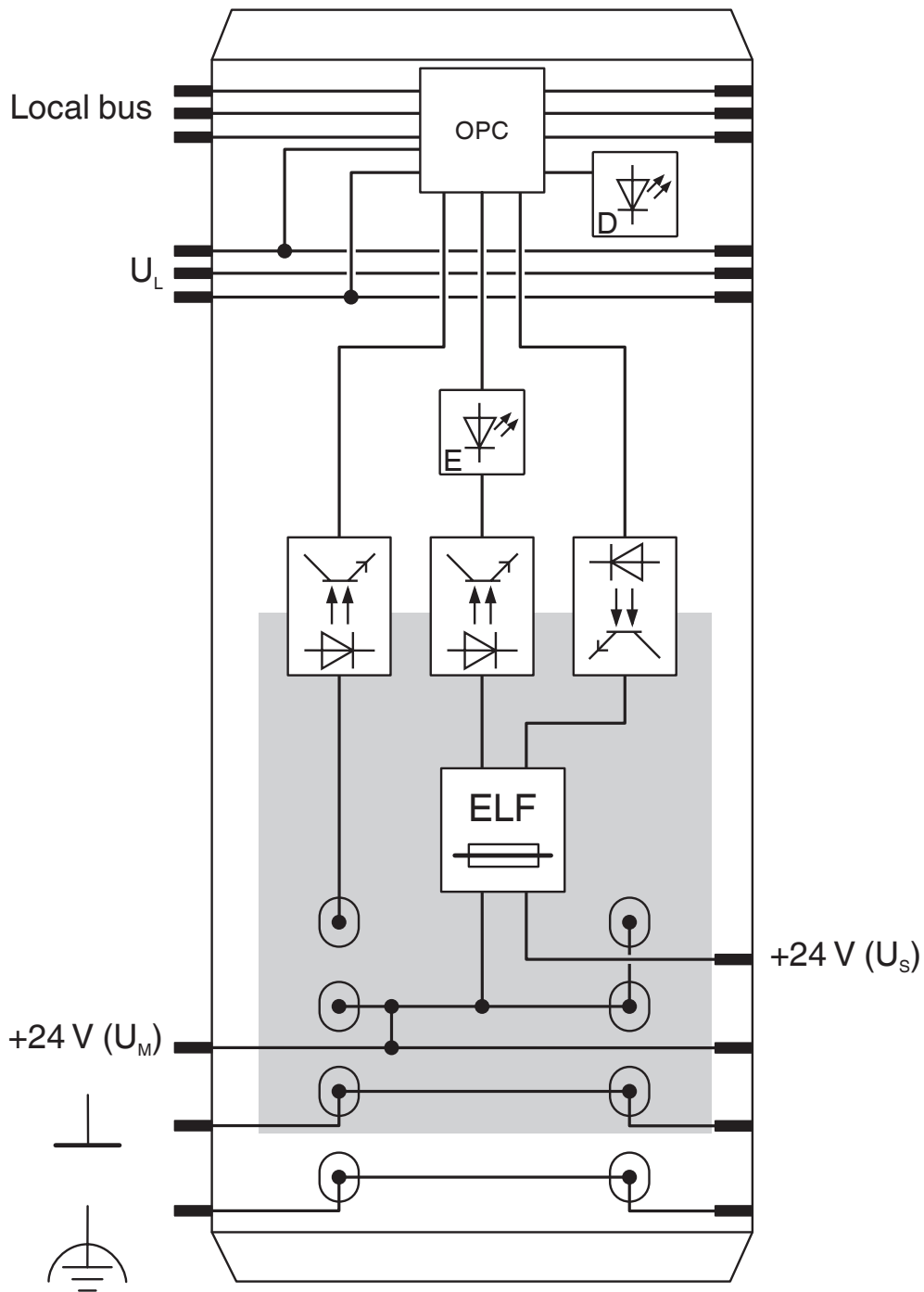
Degree of protection	IP20
Ambient temperature (operation)	-25 °C ... 55 °C
Ambient temperature (storage/transport)	-25 °C ... 85 °C
Permissible humidity (operation)	75 % ... 85 % (in the range of -25°C ... +55°C, appropriate measures against increased humidity (> 85%) must be taken.)
Permissible humidity (storage/transport)	75 % ... 85 % (Slight temporary condensation may sometimes appear on the housing, e.g. when the terminal block is brought out of a vehicle into an enclosed room.)

## Mounting

Mounting type	DIN rail mounting
---------------	-------------------

## Drawings

Block diagram



2863847

<https://www.phoenixcontact.com/us/products/2863847>

## Environmental product compliance

### China RoHS

Environment friendly use period (EFUP)	EFUP-E
	No hazardous substances above the limits

### EU REACH SVHC

REACH candidate substance (CAS No.)	No substance above 0.1 wt%
-------------------------------------	----------------------------

Phoenix Contact 2026 © - all rights reserved  
<https://www.phoenixcontact.com>

Phoenix Contact USA  
586 Fulling Mill Road  
Middletown, PA 17057, United States  
(+717) 944-1300  
[info@phoenixcon.com](mailto:info@phoenixcon.com)