

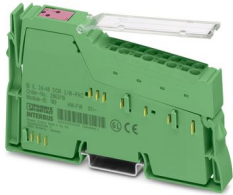
IB IL 24/48 DOR 2/W-PAC - Relay module



2863119

<https://www.phoenixcontact.com/us/products/2863119>

Please be informed that the data shown in this PDF document is generated from our online catalog. Please find the complete data in the user documentation. Our general terms of use for downloads are valid.



Inline, Relay terminal, Relay outputs: 2 (floating), Changeover contact, 24 V AC, 48 V DC, for switching ohmic loads, transmission speed in the local bus: 500 kbps, degree of protection: IP20, including Inline connector and labeling field

Product description

The terminal is designed for use within an Inline station. It has two floating SPDT relay contacts, which are independent of one another.

Your advantages

- 2 relays
- Floating connections for 2 actuators
- Switching current per channel: 2 A, maximum

Commercial data

Item number	2863119
Packing unit	1 pc
Minimum order quantity	1 pc
Sales key	DR01
Product key	DRI133
GTIN	4017918939229
Weight per piece (including packing)	75.5 g
Weight per piece (excluding packing)	63 g
Customs tariff number	85389099
Country of origin	DE

IB IL 24/48 DOR 2/W-PAC - Relay module

2863119

<https://www.phoenixcontact.com/us/products/2863119>

Technical data

Dimensions

Dimensional drawing	
Width	12.2 mm
Height	119.8 mm
Depth	71.5 mm
Note on dimensions	Housing dimensions

Notes

Note on application

Note on application	Only for industrial use
---------------------	-------------------------

Material specifications

Color (Housing)	green (RAL 6021)
-----------------	------------------

Interfaces

Inline local bus

Number of interfaces	2
Connection method	Inline data jumper
Transmission speed	500 kbps

System properties

Programming data (LocalbusSlave)

Length code (hex)	C2
ID code (dec.)	189
Length code (dec)	194
Process data channel	2 bit
Input address area	0 bit
Output address area	2 bit
Parameter channel (PCP)	0 bit
Register length (bus)	2 bit

Fieldbus data telegram

Required parameter data	3 Byte
Required configuration data	4 Byte

IB IL 24/48 DOR 2/W-PAC - Relay module



2863119

<https://www.phoenixcontact.com/us/products/2863119>

Output data

Relay

Number of outputs	2 (floating)
Connection method	Spring-cage connection
Contact switching type	Changeover contact
Switching voltage	min. 10 mV (DC) max. 30 V AC (PELV (EN 61131)) max. 60 V DC (PELV (EN 61131))
Switching current	min. 10 μ A max. 2 A (30 V DC) max. 1 A (60 V DC)
Switching power	60 W 62 VA (ohmic)
Limiting continuous current	2 A (at maximum ambient temperature)
Mechanical service life	2x 10 ⁵ cycles

Product properties

Product type	I/O component
Product family	Inline
Type	modular
Installation location	Control cabinet
Scope of supply	including Inline connector and labeling field
No. of channels	2
Operating mode	Process data mode with 2 bits
Special properties	for switching ohmic loads

Insulation characteristics

Overvoltage category	II (IEC 60664-1, EN 60664-1)
Pollution degree	2 (IEC 60664-1, EN 60664-1)

Electrical properties

Maximum power dissipation for nominal condition	0.8 W
---	-------

Potentials: Communications power (U_L)

Supply voltage	7.5 V DC (via voltage jumper)
Current draw	max. 30 mA

Potentials: Segment circuit supply (U_S)

Supply voltage	24 V DC (via voltage jumper)
Supply voltage range	19.2 V DC ... 30 V DC (including all tolerances, including ripple)
Current draw	max. 4 A

Electrical isolation/isolation of the voltage ranges

Test voltage: Relay contact / Bus logics	1.5 kV, 50 Hz, 1 min
Test voltage: Contact/contact	1 kV, 50 Hz, 1 min

IB IL 24/48 DOR 2/W-PAC - Relay module



2863119

<https://www.phoenixcontact.com/us/products/2863119>

Test voltage: Contact/functional ground	1 kV, 50 Hz, 1 min
---	--------------------

Connection data

Connection technology

Connection name	Inline connector
-----------------	------------------

Inline connector

Connection method	Spring-cage connection
Conductor cross-section, rigid	0.08 mm ² ... 1.5 mm ²
Conductor cross-section, flexible	0.08 mm ² ... 1.5 mm ²
Conductor cross-section AWG	28 ... 16
Stripping length	8 mm

Environmental and real-life conditions

Ambient conditions

Ambient temperature (operation)	-25 °C ... 55 °C
Degree of protection	IP20
Air pressure (operation)	70 kPa ... 106 kPa (up to 3000 m above sea level)
Air pressure (storage/transport)	70 kPa ... 106 kPa (up to 3000 m above sea level)
Ambient temperature (storage/transport)	-25 °C ... 85 °C
Permissible humidity (operation)	10 % ... 95 % (non-condensing)
Permissible humidity (storage/transport)	10 % ... 95 % (non-condensing)

Standards and regulations

Protection class	III (IEC 61140, EN 61140, VDE 0140-1)
------------------	---------------------------------------

Mounting

Mounting type	DIN rail mounting
---------------	-------------------

IB IL 24/48 DOR 2/W-PAC - Relay module



2863119

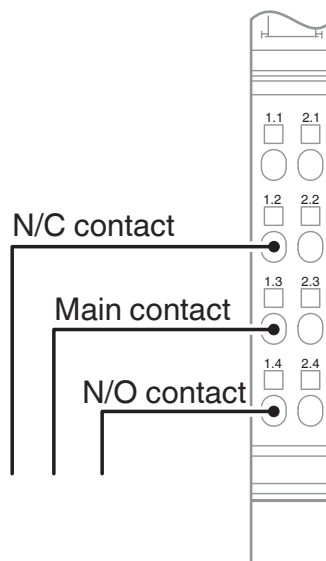
<https://www.phoenixcontact.com/us/products/2863119>

Drawings

Dimensional drawing



Connection diagram



IB IL 24/48 DOR 2/W-PAC - Relay module



2863119

<https://www.phoenixcontact.com/us/products/2863119>

Approvals

To download certificates, visit the product detail page: <https://www.phoenixcontact.com/us/products/2863119>



LR

Approval ID: LR23398855TA



BV

Approval ID: 20989_C1 BV

ABS

Approval ID: 22-2226444-PDA

DNV

Approval ID: TAA00002CU

IB IL 24/48 DOR 2/W-PAC - Relay module



2863119

<https://www.phoenixcontact.com/us/products/2863119>

Classifications

ECLASS

ECLASS-13.0	27242604
ECLASS-15.0	27242604

ETIM

ETIM 10.0	EC001599
-----------	----------

UNSPSC

UNSPSC 21.0	32151600
-------------	----------

IB IL 24/48 DOR 2/W-PAC - Relay module



2863119

<https://www.phoenixcontact.com/us/products/2863119>

Environmental product compliance

EU RoHS

Fulfills EU RoHS substance requirements	Yes
Exemption	7(c)-I

China RoHS

Environment friendly use period (EFUP)	EFUP-50
	An article-related China RoHS declaration table can be found in the download area for the respective article under "Manufacturer declaration". For all articles with EFUP-E, no China RoHS declaration table issued and required.

EU REACH SVHC

REACH candidate substance (CAS No.)	No substance above 0.1 wt%
-------------------------------------	----------------------------

Phoenix Contact 2026 © - all rights reserved
<https://www.phoenixcontact.com>

Phoenix Contact USA
586 Fulling Mill Road
Middletown, PA 17057, United States
(+717) 944-1300
info@phoenixcon.com