

IL IB BK-PAC - Bus coupler



2863070

<https://www.phoenixcontact.com/us/products/2863070>

Please be informed that the data shown in this PDF document is generated from our online catalog. Please find the complete data in the user documentation. Our general terms of use for downloads are valid.



Inline, Bus coupler, INTERBUS, Inline shield connector, transmission speed in the local bus: 500 kbps, degree of protection: IP20, including Inline connectors and marking fields

Product description

The bus coupler connects an Inline station to the INTERBUS remote bus and provides the supply voltages for the connected devices.

Your advantages

- Supplies all 24 V DC voltages required for the low-level signal
- Electrical isolation
- Diagnostic and status indicators

Commercial data

Item number	2863070
Packing unit	1 pc
Note	Made to order (non-returnable)
Sales key	DR01
Product key	DRI111
GTIN	4017918924065
Weight per piece (including packing)	274.6 g
Weight per piece (excluding packing)	142 g
Customs tariff number	85389091
Country of origin	DE

IL IB BK-PAC - Bus coupler

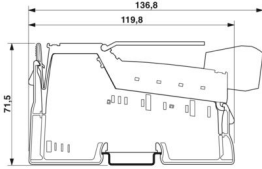
2863070

<https://www.phoenixcontact.com/us/products/2863070>



Technical data

Dimensions

Dimensional drawing	
Width	48.8 mm
Height	135 mm
Depth	71.5 mm
Note on dimensions	Housing dimensions

Material specifications

Color	green
-------	-------

Interfaces

INTERBUS

No. of channels	2
Connection method	Inline shield connector
Transmission speed	500 kbps
Transmission physics	Copper

Inline local bus

Connection method	Inline data jumper
Transmission speed	500 kbps

System properties

System limits

Number of local bus devices that can be connected	63
Number of devices with parameter channel	62
Number of supported branch terminals with remote bus branch	0 (A terminal with remote bus branch cannot be used.)

Programming data

Length code (hex)	00
ID code (dec.)	04
Length code (dec)	00
Process data channel	0 bit
Input address area	0 Byte
Output address area	0 Byte
Parameter channel (PCP)	0 Byte
Register length (bus)	0 bit

IL IB BK-PAC - Bus coupler



2863070

<https://www.phoenixcontact.com/us/products/2863070>

Register length (master)	8192 bit
--------------------------	----------

Product properties

Product type	I/O component
Product family	Inline
Type	modular
Scope of supply	including Inline connectors and marking fields

Electrical properties

Potentials: Bus coupler supply U_{BK} ; Communications power U_L (7.5 V) and the analog supply U_{ANA} (24 V) are generated from the bus coupler supply.

Supply voltage	24 V DC (via Inline connector)
Supply voltage range	19.2 V DC ... 30 V DC (including all tolerances, including ripple)
Current draw	max. 1.25 A (with max. number of connected I/O terminal blocks) typ. 100 mA (no local bus devices connected)

Potentials: Communications power (U_L)

Supply voltage	7.5 V DC
Power supply	max. 0.7 A DC (observe derating)

Potentials: Supply of analog modules (U_{ANA})

Supply voltage	24 V DC
Supply voltage range	19.2 V DC ... 30 V DC (including all tolerances, including ripple)
Power supply	max. 0.5 A DC (observe derating)

Potentials: Main circuit supply (U_M)

Supply voltage	24 V DC (via Inline connector)
Supply voltage range	19.2 V DC ... 30 V DC (including all tolerances, including ripple)
Power supply	max. 8 A DC (sum of $U_M + U_S$)

Potentials: Segment circuit supply (U_S)

Supply voltage	24 V DC (via Inline connector)
Supply voltage range	19.2 V DC ... 30 V DC (including all tolerances, including ripple)
Power supply	max. 8 A DC (sum of $U_M + U_S$)

Electrical isolation/isolation of the voltage ranges

Test voltage: 5 V supply, incoming remote bus / 5 V supply outgoing remote bus	500 V AC, 50 Hz, 1 min
Test voltage: 5 V supply incoming remote bus / 7.5 V communications power, 24 V analog supply, 24 V bus coupler supply	500 V AC, 50 Hz, 1 min
Test voltage: 5 V supply, incoming remote bus / 24 V main supply, 24 V segment supply	500 V AC, 50 Hz, 1 min
Test voltage: 5 V supply incoming remote bus / functional ground	500 V AC, 50 Hz, 1 min
Test voltage: 5 V supply outgoing remote bus / I/O (U_M, U_S)	500 V AC, 50 Hz, 1 min
Test voltage: 5 V supply outgoing remote bus / communications power (U_{BK}, U_L, U_{ANA})	500 V AC, 50 Hz, 1 min
Test voltage: 5 V supply outgoing remote bus / functional ground	500 V AC, 50 Hz, 1 min

IL IB BK-PAC - Bus coupler



2863070

<https://www.phoenixcontact.com/us/products/2863070>

Test voltage: 7.5 V communications power, 24 V analog supply, 24 V bus coupler supply/functional ground	500 V AC, 50 Hz, 1 min
Test voltage: Communications power (U_{BK} , U_L , U_{ANA}) / I/O (U_M , U_S)	500 V AC, 50 Hz, 1 min
Test voltage: 24 V main supply, 24 V segment supply/functional ground	500 V AC, 50 Hz, 1 min

Connection data

Connection technology

Connection name	Inline connector
-----------------	------------------

Inline connector

Connection method	Spring-cage connection
Conductor cross-section, rigid	0.09 mm ² ... 1.5 mm ²
Conductor cross-section, flexible	0.09 mm ² ... 1.5 mm ²
Conductor cross-section AWG	28 ... 16
Stripping length	8 mm

Environmental and real-life conditions

Ambient conditions

Ambient temperature (operation)	-25 °C ... 55 °C
Degree of protection	IP20
Air pressure (operation)	80 kPa ... 106 kPa (up to 3000 m above sea level)
Air pressure (storage/transport)	70 kPa ... 106 kPa (up to 3000 m above sea level)
Ambient temperature (storage/transport)	-25 °C ... 85 °C
Permissible humidity (operation)	75 % ... 85 % (in the range of -25°C ... +55°C, appropriate measures against increased humidity (> 85%) must be taken.)
Permissible humidity (storage/transport)	75 % ... 85 % (Slight temporary condensation may sometimes appear on the housing, e.g. when the terminal block is brought out of a vehicle into an enclosed room.)

Standards and regulations

Protection class	III (IEC 61140, EN 61140, VDE 0140-1)
------------------	---------------------------------------

Mounting

Mounting type	DIN rail mounting
---------------	-------------------

IL IB BK-PAC - Bus coupler

2863070

<https://www.phoenixcontact.com/us/products/2863070>

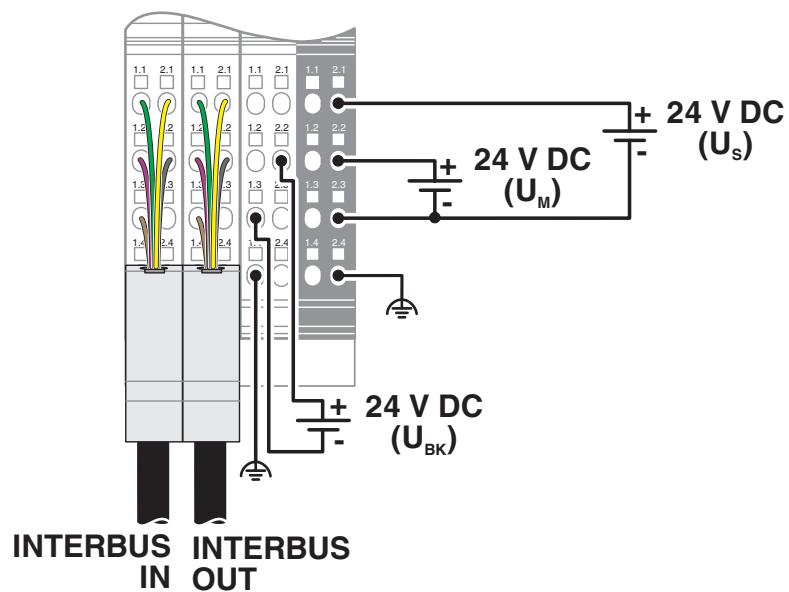


Drawings

Dimensional drawing



Connection diagram



IL IB BK-PAC - Bus coupler

2863070

<https://www.phoenixcontact.com/us/products/2863070>



Classifications

UNSPSC

UNSPSC 21.0	32151600
-------------	----------

IL IB BK-PAC - Bus coupler



2863070

<https://www.phoenixcontact.com/us/products/2863070>

Environmental product compliance

China RoHS

Environment friendly use period (EFUP)	EFUP-E
	No hazardous substances above the limits

EU REACH SVHC

REACH candidate substance (CAS No.)	No substance above 0.1 wt%
-------------------------------------	----------------------------

Phoenix Contact 2026 © - all rights reserved
<https://www.phoenixcontact.com>

Phoenix Contact USA
586 Fulling Mill Road
Middletown, PA 17057, United States
(+717) 944-1300
info@phoenixcon.com