

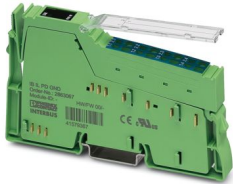
IB IL PD GND-PAC - Potential distributors



2862990

<https://www.phoenixcontact.com/us/products/2862990>

Please be informed that the data shown in this PDF document is generated from our online catalog. Please find the complete data in the user documentation. Our general terms of use for downloads are valid.



Inline terminal for power distribution (GND), complete with accessories, (connector and labeling field) connections for GND

Product description

The terminal is designed for use within an Inline station. The terminal has eight GND connections. They therefore enable connection to the station-internal GND of sensors and actuators, which are connected to the IB IL 24 DI.../HD-PAC or IB IL 24 DO.../HD-PAC terminal via 1-conductor technology. They therefore enable connection to the station-internal GND of actuators, which are connected to the IB IL 24 DO 32/HD terminal via 1-conductor technology.

Your advantages

- Connections for GND

Commercial data

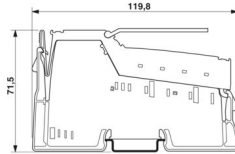
Item number	2862990
Packing unit	1 pc
Minimum order quantity	1 pc
Sales key	DR01
Product key	DRI124
GTIN	4017918910099
Weight per piece (including packing)	64.74 g
Weight per piece (excluding packing)	44 g
Customs tariff number	85389099
Country of origin	DE

2862990

<https://www.phoenixcontact.com/us/products/2862990>

Technical data

Dimensions

Dimensional drawing	
Width	12.2 mm
Height	119.8 mm
Depth	71.5 mm

Notes

Note on application

Note on application	Only for industrial use
---------------------	-------------------------

Material specifications

Color (Housing)	green (RAL 6021)
-----------------	------------------

Interfaces

Inline local bus

Connection method	Inline data jumper
Transmission speed	500 kbps / 2 Mbps

System properties

Programming data (LocalbusSlave)

ID code (dec.)	none
Register length (bus)	0 bit

Fieldbus data telegram (PROFIBUS)

Required parameter data	0 Byte
Required configuration data	0 Byte

Product properties

Product type	I/O component
Product family	Inline
Type	modular
Installation location	Control cabinet

Insulation characteristics

Overvoltage category	II (IEC 60664-1, EN 60664-1)
----------------------	------------------------------

IB IL PD GND-PAC - Potential distributors



2862990

<https://www.phoenixcontact.com/us/products/2862990>

Pollution degree	2 (IEC 60664-1, EN 60664-1)
------------------	-----------------------------

Electrical properties

Maximum power dissipation for nominal condition	0 W
Test section	7.5 V supply (bus logics)/24 V supply (I/O) 500 V AC 50 Hz 1 min
	24 V supply (I/O) / functional ground 500 V AC 50 Hz 1 min
	7.5 V supply (bus logic)/functional ground 500 V AC 50 Hz 1 min

Supply

I/O voltage	GND
Max. current consumption	8 A

Connection data

Connection technology

Connection name	Inline connector
-----------------	------------------

Inline connector

Connection method	Spring-cage connection
Conductor cross-section, rigid	0.08 mm ² ... 1.5 mm ²
Conductor cross-section, flexible	0.08 mm ² ... 1.5 mm ²
Conductor cross-section AWG	28 ... 16
Stripping length	8 mm

Environmental and real-life conditions

Ambient conditions

Degree of protection	IP20
Ambient temperature (operation)	-25 °C ... 55 °C
Ambient temperature (storage/transport)	-25 °C ... 85 °C
Permissible humidity (operation)	10 % ... 95 % (non-condensing)
Permissible humidity (storage/transport)	10 % ... 95 % (non-condensing)
Air pressure (operation)	70 kPa ... 106 kPa (up to 3000 m above sea level)
Air pressure (storage/transport)	70 kPa ... 106 kPa (up to 3000 m above sea level)

Mechanical test

Vibration resistance in accordance with EN 60068-2-6/IEC 60068-2-6	5g
Shock in accordance with EN 60068-2-27/IEC 60068-2-27	25g

Standards and regulations

Protection class	III (IEC 61140, EN 61140, VDE 0140-1)
------------------	---------------------------------------

Mounting

Mounting type	DIN rail mounting
---------------	-------------------

IB IL PD GND-PAC - Potential distributors



2862990

<https://www.phoenixcontact.com/us/products/2862990>

Approvals

To download certificates, visit the product detail page: <https://www.phoenixcontact.com/us/products/2862990>



LR

Approval ID: LR23398855TA



BV

Approval ID: 20989_C1 BV

ABS

Approval ID: 22-2226444-PDA

DNV

Approval ID: TAA00002CU

IB IL PD GND-PAC - Potential distributors



2862990

<https://www.phoenixcontact.com/us/products/2862990>

Classifications

ECLASS

ECLASS-13.0	27242692
ECLASS-15.0	27242692

ETIM

ETIM 10.0	EC002584
-----------	----------

UNSPSC

UNSPSC 21.0	32151600
-------------	----------

IB IL PD GND-PAC - Potential distributors



2862990

<https://www.phoenixcontact.com/us/products/2862990>

Environmental product compliance

EU RoHS

Fulfills EU RoHS substance requirements	Yes, No exemptions
---	--------------------

China RoHS

Environment friendly use period (EFUP)	EFUP-E
	No hazardous substances above the limits

EU REACH SVHC

REACH candidate substance (CAS No.)	No substance above 0.1 wt%
-------------------------------------	----------------------------

EF3.1 Climate Change

CO2e kg	0.861 kg CO2e
---------	---------------

Phoenix Contact 2026 © - all rights reserved
<https://www.phoenixcontact.com>

Phoenix Contact USA
586 Fulling Mill Road
Middletown, PA 17057, United States
(+717) 944-1300
info@phoenixcon.com