

# IB IL PD 24V-PAC - Potential distributors

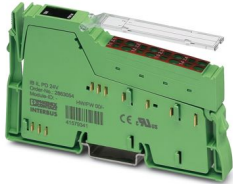


2862987

<https://www.phoenixcontact.com/us/products/2862987>

Please be informed that the data shown in this PDF document is generated from our online catalog. Please find the complete data in the user documentation. Our general terms of use for downloads are valid.

Inline terminal for power distribution (24 V), complete with accessories, (connector and labeling field) 24 V supply voltage is fed out from the segment circuit (US)



## Product description

The terminal is designed for use within an Inline station. The terminal enables the 24 V supply voltage to be supplied from the segment circuit ( $U_S$ ). It therefore provides the 24 V supply from  $U_S$  for sensors, which are connected to the IB IL 24 DI.../HD-PAC Inline terminals via 1-conductor technology.

## Your advantages

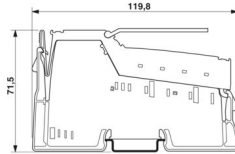
- Supply of the 24 V segment voltage US

## Commercial data

Item number	2862987
Packing unit	1 pc
Minimum order quantity	1 pc
Sales key	DR01
Product key	DRI124
GTIN	4017918910105
Weight per piece (including packing)	69.5 g
Weight per piece (excluding packing)	44 g
Customs tariff number	85389099
Country of origin	DE

## Technical data

### Dimensions

Dimensional drawing	
Width	12.2 mm
Height	119.8 mm
Depth	71.5 mm

### Notes

#### Note on application

Note on application	Only for industrial use
---------------------	-------------------------

### Material specifications

Color (Housing)	green (RAL 6021)
-----------------	------------------

### Interfaces

#### Inline local bus

Connection method	Inline data jumper
Transmission speed	500 kbps / 2 Mbps

#### Supply voltage

Connection method	Inline potential distributor
-------------------	------------------------------

### System properties

#### Programming data (LocalbusSlave)

ID code (dec.)	none
Register length (bus)	0 bit

#### Fieldbus data telegram (PROFIBUS)

Required parameter data	0 Byte
Required configuration data	0 Byte

### Product properties

Product type	I/O component
Product family	Inline
Type	modular
Installation location	Control cabinet

# IB IL PD 24V-PAC - Potential distributors



2862987

<https://www.phoenixcontact.com/us/products/2862987>

## Insulation characteristics

Overvoltage category	II (IEC 60664-1, EN 60664-1)
Pollution degree	2 (IEC 60664-1, EN 60664-1)

## Electrical properties

Maximum power dissipation for nominal condition	0 W
Test section	7.5 V supply (bus logics)/24 V supply (I/O) 500 V AC 50 Hz 1 min
	24 V supply (I/O) / functional ground 500 V AC 50 Hz 1 min
	7.5 V supply (bus logic)/functional ground 500 V AC 50 Hz 1 min

## Supply

I/O voltage	24 V DC
I/O voltage range	19.2 V DC ... 30 V DC
Max. current consumption	8 A

## Potentials: Segment circuit supply (U<sub>S</sub>)

Supply voltage	24 V DC (via voltage jumper)
Supply voltage range	19.2 V DC ... 30 V DC (including all tolerances, including ripple)
Current draw	max. 8 A

## Connection data

### Connection technology

Connection name	Inline connector
-----------------	------------------

### Inline connector

Connection method	Spring-cage connection
Conductor cross-section, rigid	0.08 mm <sup>2</sup> ... 1.5 mm <sup>2</sup>
Conductor cross-section, flexible	0.08 mm <sup>2</sup> ... 1.5 mm <sup>2</sup>
Conductor cross-section AWG	28 ... 16
Stripping length	8 mm

## Environmental and real-life conditions

### Ambient conditions

Degree of protection	IP20
Ambient temperature (operation)	-25 °C ... 55 °C
Ambient temperature (storage/transport)	-25 °C ... 85 °C
Permissible humidity (operation)	10 % ... 95 % (non-condensing)
Permissible humidity (storage/transport)	10 % ... 95 % (non-condensing)
Air pressure (operation)	70 kPa ... 106 kPa (up to 3000 m above sea level)
Air pressure (storage/transport)	70 kPa ... 106 kPa (up to 3000 m above sea level)

### Mechanical test

Vibration resistance in accordance with EN 60068-2-6/IEC 60068-2-6	5g
Shock in accordance with EN 60068-2-27/IEC 60068-2-27	25g

# IB IL PD 24V-PAC - Potential distributors



2862987

<https://www.phoenixcontact.com/us/products/2862987>

## Standards and regulations

Protection class

III (IEC 61140, EN 61140, VDE 0140-1)

## Mounting

Mounting type

DIN rail mounting

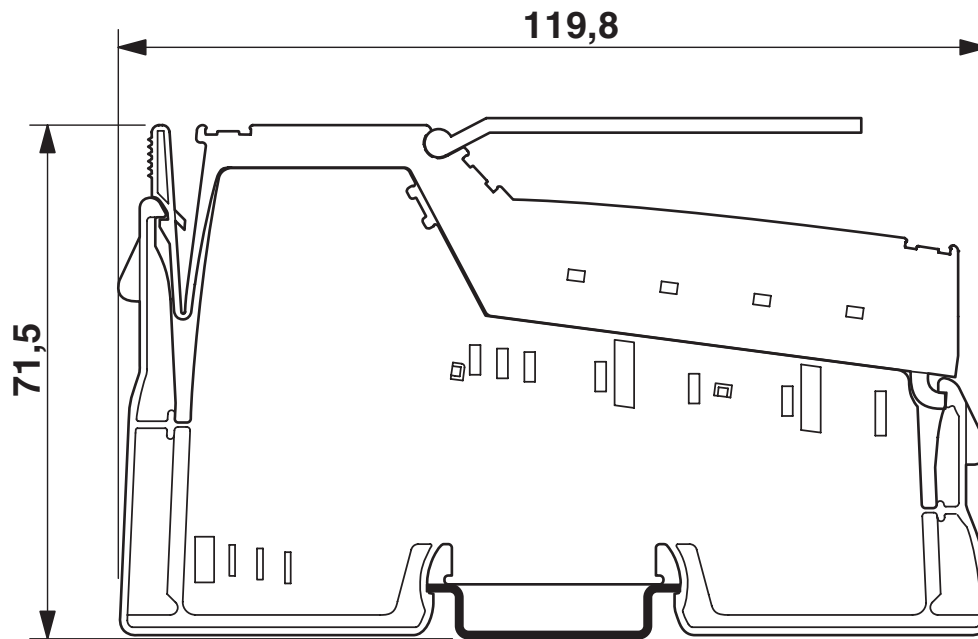
# IB IL PD 24V-PAC - Potential distributors

2862987

<https://www.phoenixcontact.com/us/products/2862987>

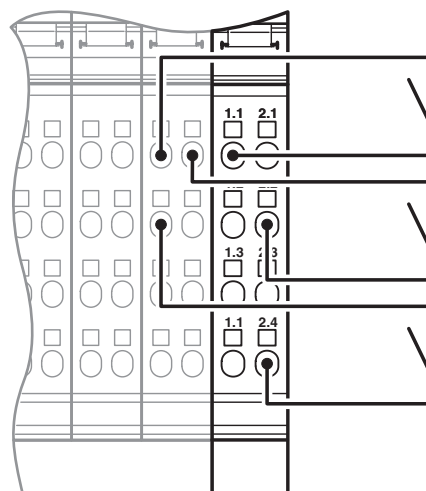
## Drawings

Dimensional drawing



Connection diagram

e.g. for single wire  
connection with  
IB IL 24 DI 32/HD



**IB IL PD 24V-PAC**

# IB IL PD 24V-PAC - Potential distributors



2862987

<https://www.phoenixcontact.com/us/products/2862987>

## Approvals

To download certificates, visit the product detail page: <https://www.phoenixcontact.com/us/products/2862987>



**LR**

Approval ID: LR23398855TA



**BV**

Approval ID: 20989\_C1 BV

**ABS**

Approval ID: 22-2226444-PDA

**DNV**

Approval ID: TAA00002CU

# IB IL PD 24V-PAC - Potential distributors



2862987

<https://www.phoenixcontact.com/us/products/2862987>

## Classifications

### ECLASS

ECLASS-13.0	27242692
ECLASS-15.0	27242692

### ETIM

ETIM 10.0	EC002584
-----------	----------

### UNSPSC

UNSPSC 21.0	32151600
-------------	----------

# IB IL PD 24V-PAC - Potential distributors



2862987

<https://www.phoenixcontact.com/us/products/2862987>

## Environmental product compliance

### EU RoHS

Fulfills EU RoHS substance requirements	Yes, No exemptions
---	--------------------

### China RoHS

Environment friendly use period (EFUP)	EFUP-E
	No hazardous substances above the limits

### EU REACH SVHC

REACH candidate substance (CAS No.)	No substance above 0.1 wt%
-------------------------------------	----------------------------

### EF3.1 Climate Change

CO2e kg	0.811 kg CO2e
---------	---------------

Phoenix Contact 2026 © - all rights reserved  
<https://www.phoenixcontact.com>

Phoenix Contact USA  
586 Fulling Mill Road  
Middletown, PA 17057, United States  
(+717) 944-1300  
[info@phoenixcon.com](mailto:info@phoenixcon.com)