

IB IL 24 DI 16-PAC/SN - Digital module



2862958

<https://www.phoenixcontact.com/us/products/2862958>

Please be informed that the data shown in this PDF document is generated from our online catalog. Please find the complete data in the user documentation. Our general terms of use for downloads are valid.



The figure shows the version IB IL 24 DI 16-PAC

Inline, Digital input terminal, Digital inputs: 16, 24 V DC, connection technology: 3-conductor, transmission speed in the local bus: 500 kbps, degree of protection: IP20, including Inline connectors and marking fields, connectors numbered individually

Product description

The terminal is designed for use within an Inline station. It is used to acquire digital signals.

Your advantages

- 16 digital inputs
- Connection of sensors in 2- and 3-conductor technology
- Maximum permissible load current per sensor: 250 mA
- Diagnostic and status indicators

Commercial data

| | |
|--------------------------------------|---------------|
| Item number | 2862958 |
| Packing unit | 1 pc |
| Minimum order quantity | 1 pc |
| Sales key | DR01 |
| Product key | DRI131 |
| GTIN | 4017918904968 |
| Weight per piece (including packing) | 226.833 g |
| Weight per piece (excluding packing) | 210 g |
| Customs tariff number | 85389099 |
| Country of origin | DE |

Technical data

Dimensions

| | |
|---------------------|--|
| Dimensional drawing |  |
| Width | 48.8 mm |
| Height | 140.5 mm |
| Depth | 71.5 mm |
| Note on dimensions | Housing dimensions |

Notes

Note on application

| | |
|---------------------|-------------------------|
| Note on application | Only for industrial use |
|---------------------|-------------------------|

Utilization restriction

| | |
|------------|---|
| CCCex note | Use in potentially explosive areas is not permitted in China. |
|------------|---|

Material specifications

| | |
|-----------------|------------------|
| Color (Housing) | green (RAL 6021) |
|-----------------|------------------|

Interfaces

Inline local bus

| | |
|----------------------|--------------------|
| Number of interfaces | 2 |
| Connection method | Inline data jumper |
| Transmission speed | 500 kbps |

System properties

Programming data (LocalbusSlave)

| | |
|-------------------------|--------|
| Length code (hex) | 01 |
| ID code (dec.) | 190 |
| Length code (dec) | 01 |
| Process data channel | 16 bit |
| Input address area | 2 Byte |
| Output address area | 0 Byte |
| Parameter channel (PCP) | 0 Byte |
| Register length (bus) | 16 bit |

Fieldbus data telegram (PROFIBUS)

IB IL 24 DI 16-PAC/SN - Digital module



2862958

<https://www.phoenixcontact.com/us/products/2862958>

| | |
|-----------------------------|--------|
| Required parameter data | 1 Byte |
| Required configuration data | 4 Byte |

Input data

Digital:

| | |
|-----------------------------------|--------------------------------|
| Input name | Digital inputs |
| Description of the input | IEC 61131-2 type 1 |
| Number of inputs | 16 |
| Connection method | Spring-cage connection |
| Connection technology | 3-conductor |
| Input voltage | 24 V DC |
| Input voltage range "0" signal | -3 V DC ... 5 V DC |
| Input voltage range "1" signal | 15 V DC ... 30 V DC |
| Nominal input voltage U_{IN} | 24 V DC |
| Nominal input current at U_{IN} | min. 3 mA (at nominal voltage) |
| Typical response time | < 1 ms |

Product properties

| | |
|-----------------|--|
| Product type | I/O component |
| Product family | Inline |
| Type | modular |
| Scope of supply | including Inline connectors and marking fields, connectors numbered individually |
| No. of channels | 16 |
| Operating mode | Process data mode with one word |

Insulation characteristics

| | |
|----------------------|------------------------------|
| Overvoltage category | II (IEC 60664-1, EN 60664-1) |
| Pollution degree | 2 (IEC 60664-1, EN 60664-1) |

Electrical properties

| | |
|---|-------|
| Maximum power dissipation for nominal condition | 1.6 W |
|---|-------|

Potentials: Communications power (U_L)

| | |
|----------------|-------------------------------|
| Supply voltage | 7.5 V DC (via voltage jumper) |
| Current draw | max. 60 mA |

Potentials: Segment circuit supply (U_S)

| | |
|----------------------|--|
| Supply voltage | 24 V DC (via voltage jumper) |
| Supply voltage range | 19.2 V DC ... 30 V DC (including all tolerances, including ripple) |
| Current draw | max. 4 A |

Electrical isolation/isolation of the voltage ranges

| | |
|---|------------------------|
| Test voltage: 7.5 V supply (bus logics)/24 V supply (I/O) | 500 V AC, 50 Hz, 1 min |
| Test voltage: 7.5 V supply (bus logic)/functional ground | 500 V AC, 50 Hz, 1 min |
| Test voltage: 24 V supply (I/O) / functional ground | 500 V AC, 50 Hz, 1 min |

Connection data

Connection technology

| | |
|-----------------|------------------|
| Connection name | Inline connector |
|-----------------|------------------|

Inline connector

| | |
|-----------------------------------|--|
| Connection method | Spring-cage connection |
| Conductor cross-section, rigid | 0.08 mm ² ... 1.5 mm ² |
| Conductor cross-section, flexible | 0.08 mm ² ... 1.5 mm ² |
| Conductor cross-section AWG | 28 ... 16 |
| Stripping length | 8 mm |

Environmental and real-life conditions

Ambient conditions

| | |
|--|---|
| Ambient temperature (operation) | -25 °C ... 55 °C |
| Degree of protection | IP20 |
| Air pressure (operation) | 70 kPa ... 106 kPa (up to 3000 m above sea level) |
| Air pressure (storage/transport) | 70 kPa ... 106 kPa (up to 3000 m above sea level) |
| Ambient temperature (storage/transport) | -25 °C ... 85 °C |
| Permissible humidity (operation) | 10 % ... 95 % (non-condensing) |
| Permissible humidity (storage/transport) | 10 % ... 95 % (non-condensing) |

Mechanical test

| | |
|--|-----|
| Vibration resistance in accordance with EN 60068-2-6/IEC 60068-2-6 | 5g |
| Shock in accordance with EN 60068-2-27/IEC 60068-2-27 | 25g |

Standards and regulations

| | |
|------------------|---------------------------------------|
| Protection class | III (IEC 61140, EN 61140, VDE 0140-1) |
|------------------|---------------------------------------|

Mounting

| | |
|---------------|-------------------|
| Mounting type | DIN rail mounting |
|---------------|-------------------|

IB IL 24 DI 16-PAC/SN - Digital module

2862958

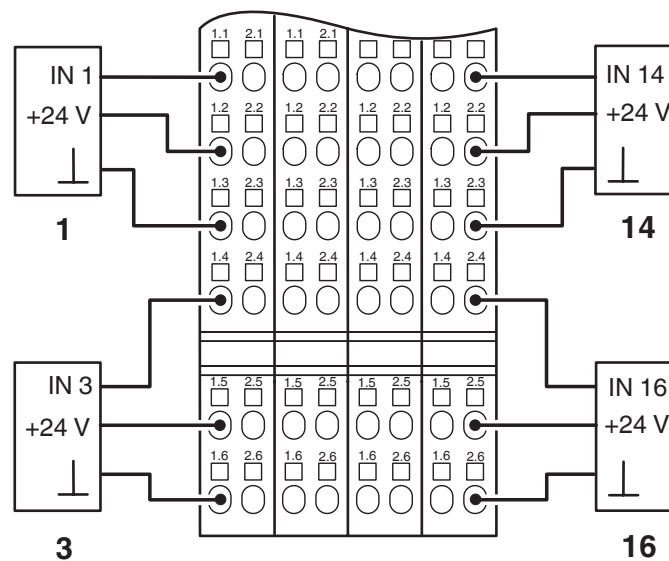
<https://www.phoenixcontact.com/us/products/2862958>

Drawings

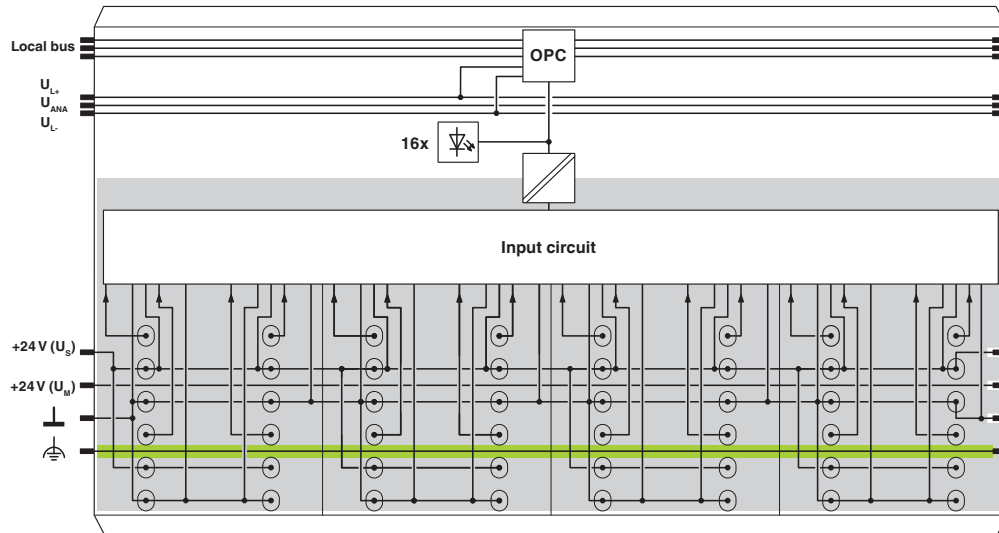
Dimensional drawing



Connection diagram



Block diagram



IB IL 24 DI 16-PAC/SN - Digital module



2862958

<https://www.phoenixcontact.com/us/products/2862958>

Approvals

To download certificates, visit the product detail page: <https://www.phoenixcontact.com/us/products/2862958>



DNV GL

Approval ID: TAA00000BN



LR

Approval ID: LR23398855TA



BV

Approval ID: 20989_C1 BV

BSH

Approval ID: 658a



RINA

Approval ID: ELE121121XG

ABS

Approval ID: 22-2226444-PDA



cULus Recognized

Approval ID: E140324



cULus Listed

Approval ID: E199827

IB IL 24 DI 16-PAC/SN - Digital module



2862958

<https://www.phoenixcontact.com/us/products/2862958>

Classifications

ECLASS

| | |
|-------------|----------|
| ECLASS-13.0 | 27242604 |
| ECLASS-15.0 | 27242604 |

ETIM

| | |
|-----------|----------|
| ETIM 10.0 | EC001599 |
|-----------|----------|

UNSPSC

| | |
|-------------|----------|
| UNSPSC 21.0 | 32151600 |
|-------------|----------|

2862958

<https://www.phoenixcontact.com/us/products/2862958>

Environmental product compliance

EU RoHS

| | |
|---|--------------|
| Fulfills EU RoHS substance requirements | Yes |
| Exemption | 7(a), 7(c)-I |

China RoHS

| | |
|--|---|
| Environment friendly use period (EFUP) | EFUP-50 |
| | An article-related China RoHS declaration table can be found in the download area for the respective article under "Manufacturer declaration". For all articles with EFUP-E, no China RoHS declaration table issued and required. |

EU REACH SVHC

| | |
|-------------------------------------|--------------------------------------|
| REACH candidate substance (CAS No.) | Lead(CAS: 7439-92-1) |
| SCIP | db6c8c8a-f1c7-4ea6-8e3d-c82fadb1adf7 |

EF3.1 Climate Change

| | |
|---------|---------------|
| CO2e kg | 5.248 kg CO2e |
|---------|---------------|

Phoenix Contact 2026 © - all rights reserved
<https://www.phoenixcontact.com>

Phoenix Contact USA
 586 Fulling Mill Road
 Middletown, PA 17057, United States
 (+717) 944-1300
info@phoenixcon.com