

ILB PB 24 DO32 - I/O module

2862408

<https://www.phoenixcontact.com/us/products/2862408>



Please be informed that the data shown in this PDF document is generated from our online catalog. Please find the complete data in the user documentation. Our general terms of use for downloads are valid.

Inline, Block IO, PROFIBUS DP, D-SUB-9 female connector, Digital outputs: 32, 24 V DC, connection technology: 3-conductor, degree of protection: IP20, including Inline connector



Your advantages

- Short-circuit and overload-protected outputs
- Total current of the terminal: 16 A
- Nominal current per output: 500 mA
- Connection of actuators in 2- and 3-conductor technology
- 32 digital outputs
- Diagnostic and status indicators

Commercial data

Item number	2862408
Packing unit	1 pc
Note	Made to order (non-returnable)
Sales key	DR01
Product key	DRI1A2
GTIN	4017918923877
Weight per piece (including packing)	526.4 g
Weight per piece (excluding packing)	510 g
Customs tariff number	85389091
Country of origin	DE

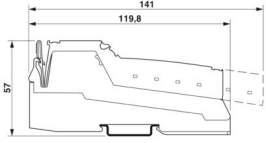
ILB PB 24 DO32 - I/O module

2862408

<https://www.phoenixcontact.com/us/products/2862408>

Technical data

Dimensions

Dimensional drawing	
Width	156 mm
Height	141 mm
Depth	57 mm
Note on dimensions	Specifications with connectors

Interfaces

PROFIBUS DP

Connection method	D-SUB-9 female connector
Number of positions	9
Transmission speed	9.6 kbps ... 12 Mbps

Output data

Digital:

Output name	Digital outputs
Connection method	Spring-cage connection
Connection technology	3-conductor
Number of outputs	32
Protective circuit	Short-circuit and overload protection
Output voltage	24 V DC
Maximum output current per channel	500 mA
Maximum output current per module / terminal block	16 A
Maximum output current per module	16 A
Nominal output voltage	24 V DC
Nominal load, inductive	12 VA
Nominal load, lamp	12 W
Nominal load, ohmic	12 W

Product properties

Product type	I/O component
Product family	Inline
Type	Block design
	Inline
Scope of supply	including Inline connector

ILB PB 24 DO32 - I/O module



2862408

<https://www.phoenixcontact.com/us/products/2862408>

No. of channels	32
-----------------	----

Electrical properties

Potentials: Communications power (U_L)

Supply voltage	24 V DC
Supply voltage range	19.2 V DC ... 30 V DC (including all tolerances, including ripple)
Power supply	max. 8 A
Current draw	70 mA

Potentials: Power supply to the actuator (U_{A1})

Supply voltage	24 V DC
Supply voltage range	19.2 V DC ... 30 V DC (including all tolerances, including ripple)
Power supply	max. 8 A
Current draw	4 A

Potentials: Power supply to the actuator (U_{A2})

Supply voltage	24 V DC
Supply voltage range	19.2 V DC ... 30 V DC (including all tolerances, including ripple)
Power supply	max. 8 A
Current draw	4 A

Potentials: Power supply to the actuator (U_{A3})

Supply voltage	24 V DC
Supply voltage range	19.2 V DC ... 30 V DC (including all tolerances, including ripple)
Power supply	max. 8 A
Current draw	4 A

Potentials: Power supply to the actuator (U_{A4})

Supply voltage	24 V DC
Supply voltage range	19.2 V DC ... 30 V DC (including all tolerances, including ripple)
Power supply	max. 8 A
Current draw	4 A

Potentials

Power supply	max. 8 A
Current draw	70 mA

Electrical isolation/isolation of the voltage ranges

Test voltage: I/Os / PROFIBUS	500 V AC, 50 Hz, 1 min
Test voltage: I/O area / FE	500 V AC, 50 Hz, 1 min
Test voltage: PROFIBUS / FE	500 V AC, 50 Hz, 1 min

Connection data

Connection technology

Connection name	Inline connector
-----------------	------------------

ILB PB 24 DO32 - I/O module



2862408

<https://www.phoenixcontact.com/us/products/2862408>

Inline connector

Connection method	Spring-cage connection
Conductor cross-section, rigid	0.08 mm ² ... 1.5 mm ²
Conductor cross-section, flexible	0.08 mm ² ... 1.5 mm ²
Conductor cross-section AWG	28 ... 16
Stripping length	8 mm

Environmental and real-life conditions

Ambient conditions

Ambient temperature (operation)	-25 °C ... 60 °C
Degree of protection	IP20
Air pressure (operation)	80 kPa ... 108 kPa (up to 2000 m above sea level)
Air pressure (storage/transport)	66 kPa ... 108 kPa (up to 3500 m above sea level)
Ambient temperature (storage/transport)	-25 °C ... 85 °C
Permissible humidity (operation)	85 % (non-condensing)
Permissible humidity (storage/transport)	95 % (non-condensing)

Mechanical test

Vibration resistance in accordance with EN 60068-2-6/IEC 60068-2-6	5g
Shock in accordance with EN 60068-2-27/IEC 60068-2-27	25g

Standards and regulations

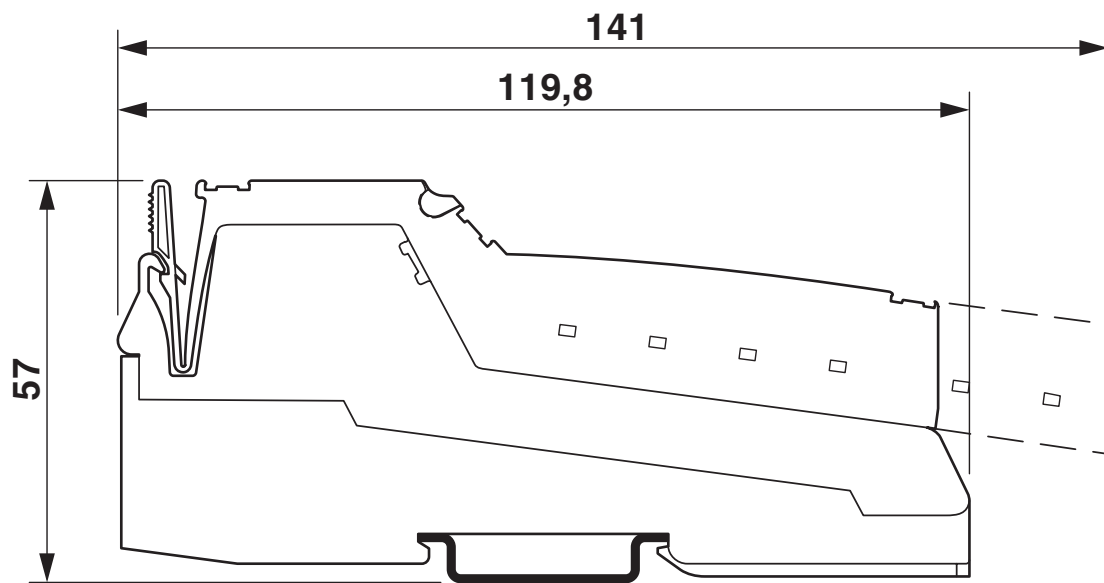
Noise emission	Industrial environment
----------------	------------------------

Mounting

Mounting type	NS 35/7,5
	DIN rail mounting

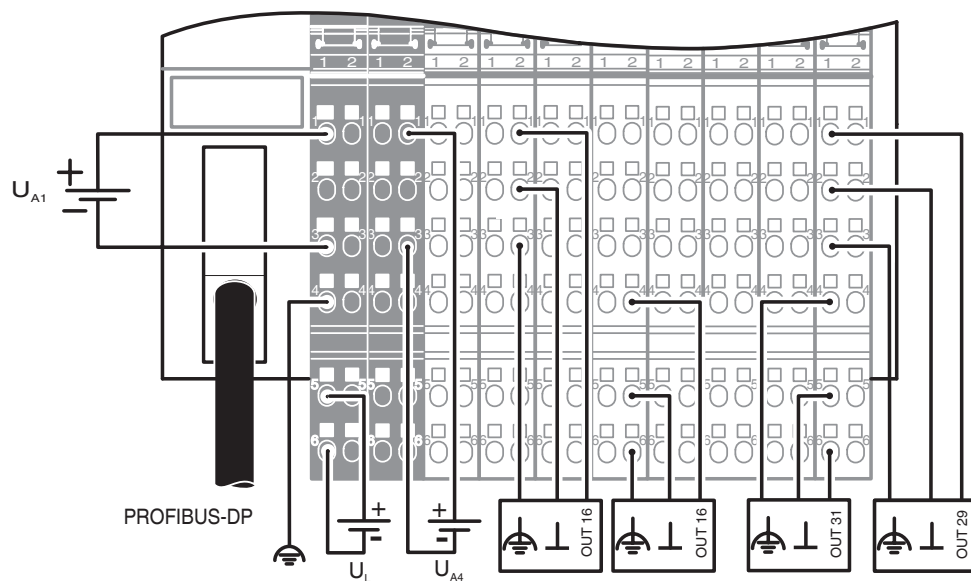
Drawings

Dimensional drawing



The figure shows the general dimensional drawing of the Inline Block IO product family

Connection diagram



ILB PB 24 DO32 - I/O module

2862408

<https://www.phoenixcontact.com/us/products/2862408>



Classifications

UNSPSC

UNSPSC 21.0	32151602
-------------	----------

ILB PB 24 DO32 - I/O module



2862408

<https://www.phoenixcontact.com/us/products/2862408>

Environmental product compliance

China RoHS

Environment friendly use period (EFUP)	EFUP-E
	No hazardous substances above the limits

EU REACH SVHC

REACH candidate substance (CAS No.)	No substance above 0.1 wt%
-------------------------------------	----------------------------

Phoenix Contact 2026 © - all rights reserved
<https://www.phoenixcontact.com>

Phoenix Contact USA
586 Fulling Mill Road
Middletown, PA 17057, United States
(+717) 944-1300
info@phoenixcon.com