

FL IL 24 BK-PAC - Bus coupler



2862314

<https://www.phoenixcontact.com/us/products/2862314>

Please be informed that the data shown in this PDF document is generated from our online catalog. Please find the complete data in the user documentation. Our general terms of use for downloads are valid.



Inline, Bus coupler, Modbus/TCP, RJ45 jack, degree of protection: IP20

Your advantages

- Up to 63 I/O terminals can be connected
- EtherNet TCP/IP™
- Driver software for Sun Solaris/Windows NT

Commercial data

Item number	2862314
Packing unit	1 pc
Note	Made to order (non-returnable)
Sales key	DR01
Product key	DRI11B
GTIN	4017918894719
Weight per piece (including packing)	348.2 g
Weight per piece (excluding packing)	270 g
Customs tariff number	85389091
Country of origin	DE

FL IL 24 BK-PAC - Bus coupler

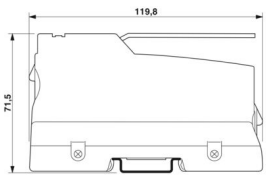


2862314

<https://www.phoenixcontact.com/us/products/2862314>

Technical data

Dimensions

Dimensional drawing	
Width	85 mm
Height	119.8 mm
Depth	71.5 mm

Notes

Utilization restriction

EMC note	EMC: class A product, see manufacturer's declaration in the download area
----------	---

Material specifications

Color	green
-------	-------

Interfaces

Modbus/TCP

No. of channels	1
Connection method	RJ45 jack
Note on the connection method	Autonegotiation
Transmission speed	10/100 Mbps
Transmission physics	Copper

Inline local bus

Connection method	Inline data jumper
-------------------	--------------------

System properties

System limits

Number of local bus devices that can be connected	max. 63
Number of devices with parameter channel	max. 8
Number of supported branch terminals with remote bus branch	0

Programming data

Register length (master)	384 Byte
--------------------------	----------

Functionality

Basic functions	Ethernet: Termination device, TCP/IP protocol, BootP-capable
-----------------	--

FL IL 24 BK-PAC - Bus coupler



2862314

<https://www.phoenixcontact.com/us/products/2862314>

Product properties

Product type	I/O component
Product family	Inline
Type	modular

Electrical properties

Maximum power dissipation for nominal condition	36 W
Transmission medium	Twisted pair cable 0.14 mm ² ... 0.22 mm ²

Potentials: Bus coupler supply U_{BK} ; Communications power U_L (7.5 V) and the analog supply U_{ANA} (24 V) are generated from the bus coupler supply.

Supply voltage	24 V DC (via Inline connector)
Supply voltage range	19.2 V DC ... 30 V DC (including all tolerances, including ripple)
Current draw	max. 1.5 A (with max. number of connected I/O terminal blocks) typ. 92 mA (without connected Inline I/O terminals)

Potentials: Communications power (U_L)

Supply voltage	7.5 V DC $\pm 5\%$
Power supply	max. 2 A DC (observe derating)

Potentials: Supply of analog modules (U_{ANA})

Supply voltage	24 V DC
Supply voltage range	19.2 V DC ... 30 V DC (including all tolerances, including ripple)
Power supply	max. 0.5 A DC (observe derating)

Potentials: Main circuit supply (U_M)

Supply voltage	24 V DC
Supply voltage range	19.2 V DC ... 30 V DC (including all tolerances, including ripple)
Power supply	max. 8 A DC (sum of $U_M + U_S$)

Potentials: Segment circuit supply (U_S)

Supply voltage	24 V DC
Supply voltage range	19.2 V DC ... 30 V DC (including all tolerances, including ripple)
Power supply	max. 8 A DC (sum of $U_M + U_S$)

Connection data

Connection technology

Connection name	Inline connector
-----------------	------------------

Inline connector

Connection method	Spring-cage connection
Conductor cross-section, rigid	0.08 mm ² ... 1.5 mm ²
Conductor cross-section, flexible	0.08 mm ² ... 1.5 mm ²
Conductor cross-section AWG	28 ... 16
Stripping length	8 mm

FL IL 24 BK-PAC - Bus coupler



2862314

<https://www.phoenixcontact.com/us/products/2862314>

Environmental and real-life conditions

Ambient conditions

Ambient temperature (operation)	0 °C ... 55 °C
Degree of protection	IP20
Air pressure (operation)	80 kPa ... 106 kPa (up to 3000 m above sea level)
Air pressure (storage/transport)	70 kPa ... 106 kPa (up to 3000 m above sea level)
Ambient temperature (storage/transport)	-20 °C ... 70 °C
Permissible humidity (operation)	95 % (non-condensing)
Permissible humidity (storage/transport)	95 % (non-condensing)

Mounting

Mounting type	DIN rail mounting
---------------	-------------------

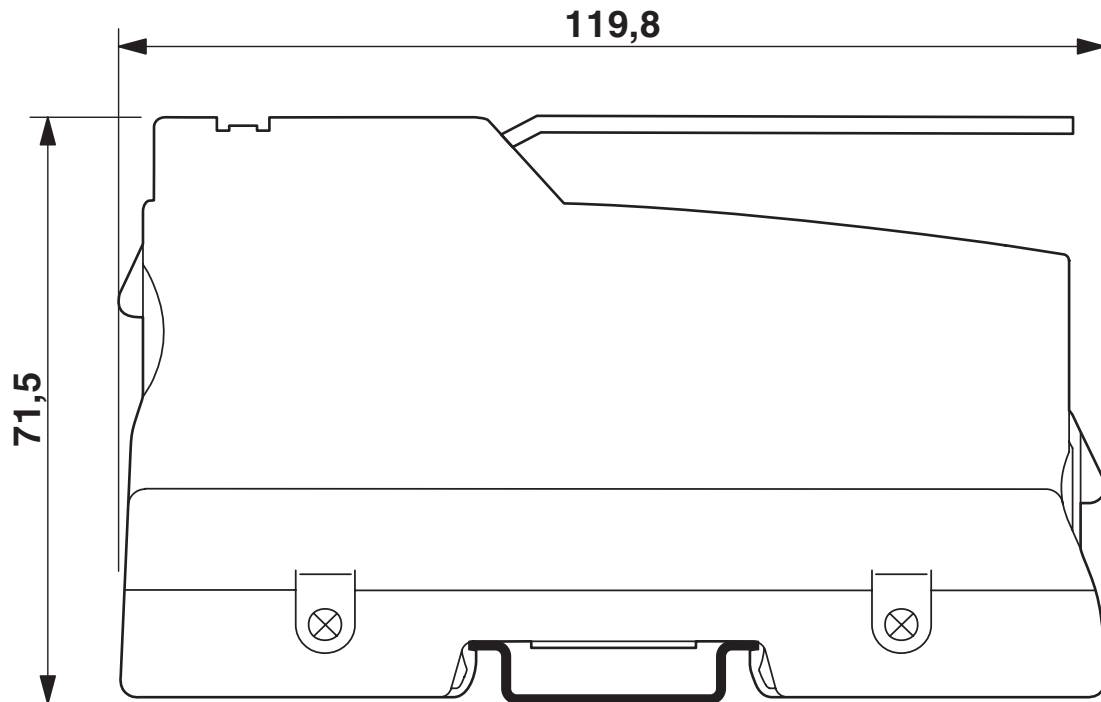
FL IL 24 BK-PAC - Bus coupler

2862314

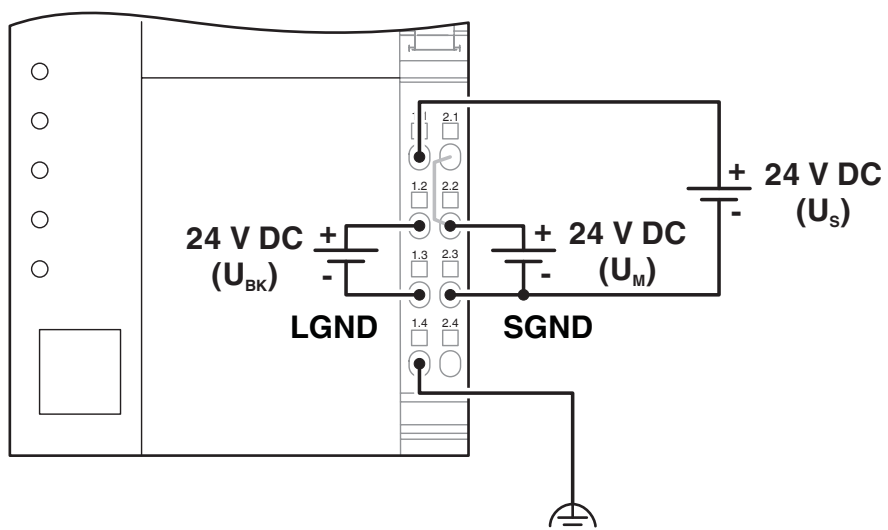
<https://www.phoenixcontact.com/us/products/2862314>

Drawings

Dimensional drawing



Connection diagram



FL IL 24 BK-PAC - Bus coupler



2862314

<https://www.phoenixcontact.com/us/products/2862314>

Environmental product compliance

China RoHS

Environment friendly use period (EFUP)	EFUP-E
	No hazardous substances above the limits

EU REACH SVHC

REACH candidate substance (CAS No.)	No substance above 0.1 wt%
-------------------------------------	----------------------------

Phoenix Contact 2026 © - all rights reserved
<https://www.phoenixcontact.com>

Phoenix Contact USA
586 Fulling Mill Road
Middletown, PA 17057, United States
(+717) 944-1300
info@phoenixcon.com