

# IB IL 24/230 DOR4/W-PC-PAC - Relay module



2862181

<https://www.phoenixcontact.com/us/products/2862181>

Please be informed that the data shown in this PDF document is generated from our online catalog. Please find the complete data in the user documentation. Our general terms of use for downloads are valid.



Inline, Relay terminal, Relay outputs: 4 (floating), Changeover contact, 24 V DC, 230 V AC, for switching inductive and capacitive loads, transmission speed in the local bus: 500 kbps, degree of protection: IP20, including Inline connectors and marking fields

## Product description

The terminal is designed for use within an Inline station. It has four floating SPDT relay contacts, which are independent of one another. The terminal is suitable for switching inductive and capacitive loads.

## Your advantages

- Safe isolation
- Floating connections for 4 actuators
- Nominal current at the output: 3 A
- Total current of the terminal block: 12 A

## Commercial data

Item number	2862181
Packing unit	1 pc
Minimum order quantity	1 pc
Sales key	DR01
Product key	DRI133
GTIN	4017918894672
Weight per piece (including packing)	214.3 g
Weight per piece (excluding packing)	138 g
Customs tariff number	85389091
Country of origin	DE

# IB IL 24/230 DOR4/W-PC-PAC - Relay module



2862181

<https://www.phoenixcontact.com/us/products/2862181>

## Technical data

### Dimensions

Dimensional drawing	
Width	48.8 mm
Height	119.8 mm
Depth	71.5 mm
Note on dimensions	Housing dimensions

### Notes

#### Note on application

Note on application	Only for industrial use
---------------------	-------------------------

### Material specifications

Color (Housing)	gray (RAL 7042)
-----------------	-----------------

### Interfaces

#### Inline local bus

Number of interfaces	2
Connection method	Inline data jumper
Transmission speed	500 kbps

### System properties

#### Programming data (LocalbusSlave)

Length code (hex)	41
ID code (dec.)	189
Length code (dec)	65
Process data channel	4 bit
Input address area	0 bit
Output address area	4 bit
Parameter channel (PCP)	0 bit
Register length (bus)	4 bit

#### Fieldbus data telegram

Required parameter data	3 Byte
Required configuration data	4 Byte

## Output data

### Relay

Number of outputs	4 (floating)
Connection method	Spring-cage connection
Contact switching type	Changeover contact
Switching voltage	min. 5 V DC max. 250 V DC max. 253 V AC
Switching current	max. 3 A (At 30 V DC) max. 0.15 A (for 250 V DC)
Switching power	max. 750 VA (see to derating)
Limiting continuous current	3 A
Mechanical service life	2x 10 <sup>7</sup> cycles

## Product properties

Product type	I/O component
Product family	Inline
Type	modular
Installation location	Control cabinet
Scope of supply	including Inline connectors and marking fields
Operating mode	Process data operation with 4 bits
Special properties	for switching inductive and capacitive loads

## Electrical properties

Maximum power dissipation for nominal condition	2.85 W
---	--------

### Potentials: Communications power (U<sub>L</sub>)

Supply voltage	7.5 V DC (via voltage jumper)
Current draw	max. 187 mA

### Electrical isolation/isolation of the voltage ranges

Test voltage: Relay contact / Bus logics	4 kV, 50 Hz, 1 min
Test voltage: Contact/contact	1 kV, 50 Hz, 1 min
Test voltage: Contact / PE	1 kV, 50 Hz, 1 min

## Connection data

### Connection technology

Connection name	Inline connector
-----------------	------------------

### Inline connector

Connection method	Spring-cage connection
Conductor cross-section, rigid	0.08 mm <sup>2</sup> ... 1.5 mm <sup>2</sup>
Conductor cross-section, flexible	0.08 mm <sup>2</sup> ... 1.5 mm <sup>2</sup>
Conductor cross-section AWG	28 ... 16

# IB IL 24/230 DOR4/W-PC-PAC - Relay module



2862181

<https://www.phoenixcontact.com/us/products/2862181>

Stripping length	8 mm
------------------	------

## Environmental and real-life conditions

### Ambient conditions

Ambient temperature (operation)	-25 °C ... 55 °C
Degree of protection	IP20
Air pressure (operation)	70 kPa ... 106 kPa (up to 3000 m above sea level)
Air pressure (storage/transport)	70 kPa ... 106 kPa (up to 3000 m above sea level)
Ambient temperature (storage/transport)	-25 °C ... 85 °C
Permissible humidity (operation)	10 % ... 95 % (non-condensing)
Permissible humidity (storage/transport)	10 % ... 95 % (non-condensing)

## Standards and regulations

Protection class	I (IEC 61140, EN 61140, VDE 0140-1)
------------------	-------------------------------------

## Mounting

Mounting type	DIN rail mounting
---------------	-------------------

# IB IL 24/230 DOR4/W-PC-PAC - Relay module

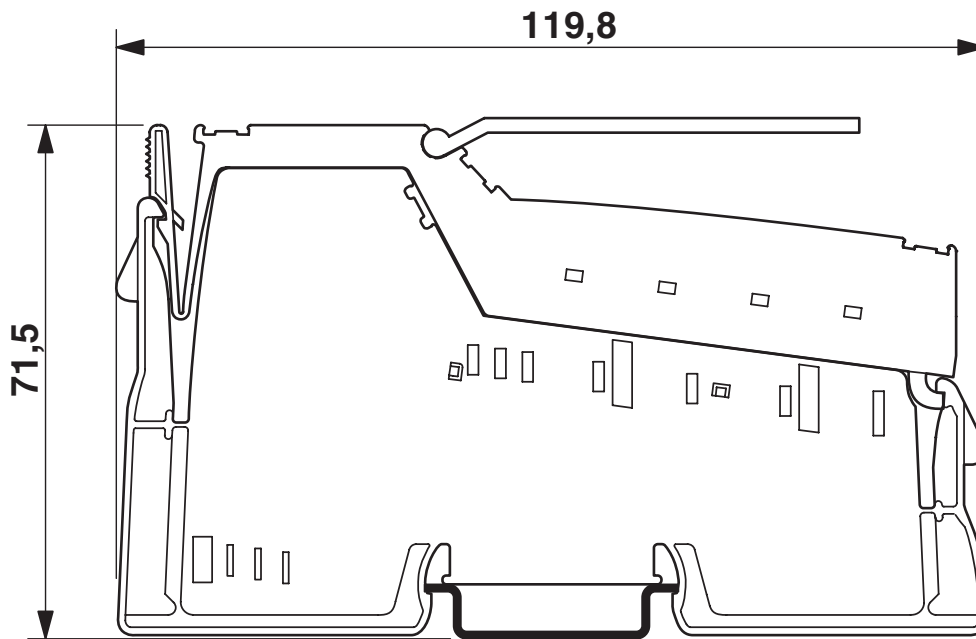


2862181

<https://www.phoenixcontact.com/us/products/2862181>

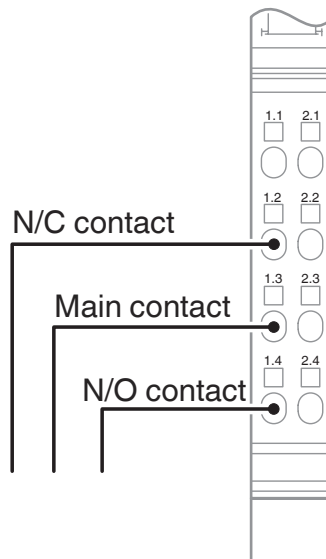
## Drawings

Dimensional drawing



Dimensions (in mm)

Connection diagram



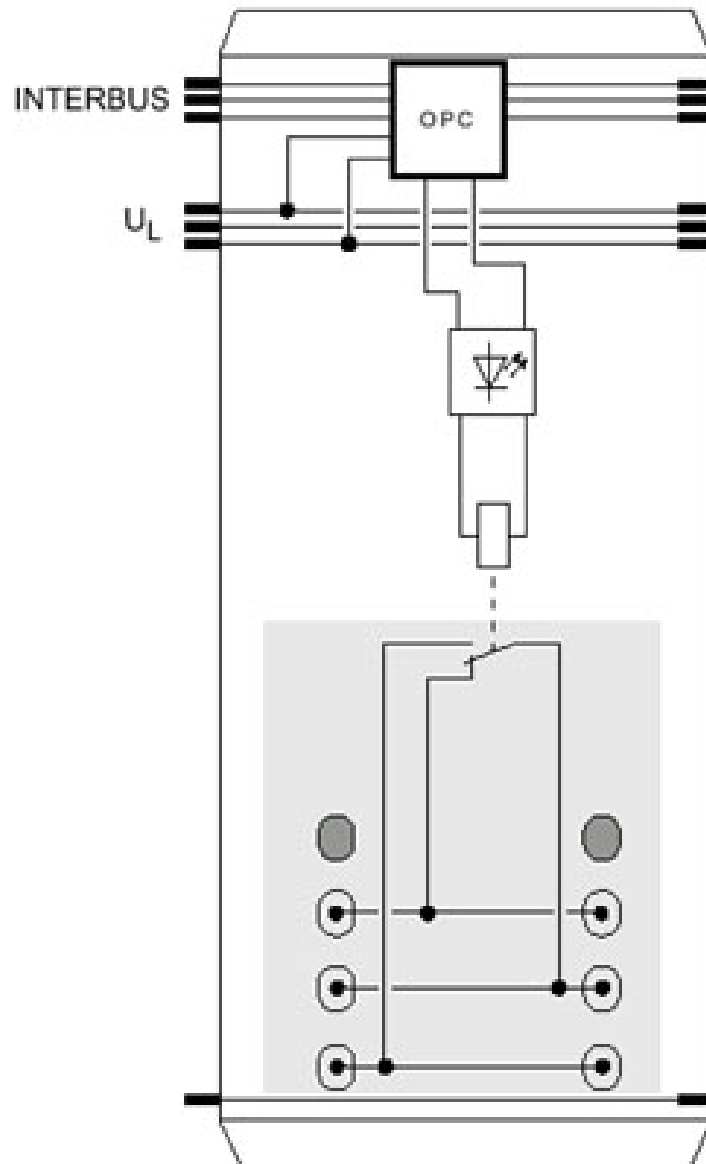
# IB IL 24/230 DOR4/W-PC-PAC - Relay module

2862181

<https://www.phoenixcontact.com/us/products/2862181>



Block diagram



# IB IL 24/230 DOR4/W-PC-PAC - Relay module



2862181

<https://www.phoenixcontact.com/us/products/2862181>

## Approvals

To download certificates, visit the product detail page: <https://www.phoenixcontact.com/us/products/2862181>



**cULus Recognized**

Approval ID: E140324

# IB IL 24/230 DOR4/W-PC-PAC - Relay module



2862181

<https://www.phoenixcontact.com/us/products/2862181>

## Classifications

### ECLASS

ECLASS-13.0	27242604
ECLASS-15.0	27242604

### ETIM

ETIM 10.0	EC001599
-----------	----------

### UNSPSC

UNSPSC 21.0	32151600
-------------	----------

2862181

<https://www.phoenixcontact.com/us/products/2862181>

## Environmental product compliance

### EU RoHS

Fulfills EU RoHS substance requirements	Yes
Exemption	7(a), 7(c)-I

### China RoHS

Environment friendly use period (EFUP)	EFUP-E
	No hazardous substances above the limits

### EU REACH SVHC

REACH candidate substance (CAS No.)	Lead(CAS: 7439-92-1)
SCIP	ab63e6bf-75ca-4ed6-b456-ff1edb630650

### EF3.1 Climate Change

CO2e kg	3.707 kg CO2e
---------	---------------

Phoenix Contact 2026 © - all rights reserved  
<https://www.phoenixcontact.com>

Phoenix Contact USA  
586 Fulling Mill Road  
Middletown, PA 17057, United States  
(+717) 944-1300  
[info@phoenixcon.com](mailto:info@phoenixcon.com)