

# IB IL 24/230 DOR1/W-PC-PAC - Inline terminal



2862178

<https://www.phoenixcontact.com/us/products/2862178>

Please be informed that the data shown in this PDF document is generated from our online catalog. Please find the complete data in the user documentation. Our general terms of use for downloads are valid.



Inline, Relay terminal, Relay output: 1 (floating contacts), 24 V DC, 230 V AC, for switching inductive and capacitive loads, transmission speed in the local bus: 500 kbps, degree of protection: IP20, including Inline connector and labeling field

## Product description

The terminal is designed for use within an Inline station. It has one floating SPDT relay contact. The terminal is suitable for switching inductive and capacitive loads. The terminal can be used in the PELV area and in the AC area. For switching voltages below 12 V or currents below 100 mA, please use the IB IL 24/230 DOR 1/W-PAC: terminal.

## Your advantages

- Safe isolation in acc. with EN 50178
- Floating connection for one actuator
- Nominal current at the output: 2.2 A
- Total current of the terminal: 2.6 A

## Commercial data

Item number	2862178
Packing unit	1 pc
Note	Made to order (non-returnable)
Sales key	DR01
Product key	DRI133
GTIN	4017918894665
Weight per piece (including packing)	79.7 g
Weight per piece (excluding packing)	46 g
Customs tariff number	85389099
Country of origin	DE

## Technical data

### Dimensions

Dimensional drawing	
Width	12.2 mm
Height	119.8 mm
Depth	71.5 mm
Note on dimensions	Housing dimensions

### Material specifications

Color	gray
-------	------

### Interfaces

#### Inline local bus

Number of interfaces	2
Connection method	Inline data jumper
Transmission speed	500 kbps

### System properties

#### Programming data (LocalbusSlave)

Length code (hex)	C2
ID code (dec.)	189
Length code (dec)	194
Process data channel	2 bit
Input address area	0 bit
Output address area	2 bit (Only bit0 is occupied)
Parameter channel (PCP)	0 bit
Register length (bus)	2 bit

#### Fieldbus data telegram

Required parameter data	3 Byte
Required configuration data	4 Byte

### Output data

#### Relay

Number of outputs	1 (floating contacts)
Connection method	Spring-cage connection

# IB IL 24/230 DOR1/W-PC-PAC - Inline terminal



2862178

<https://www.phoenixcontact.com/us/products/2862178>

Switching voltage	max. 250 V DC
	min. 5 V DC
	max. 253 V AC
Switching current	max. 2.6 A (At 30 V DC)
	max. 0.15 A (for 250 V DC)
Switching power	max. 750 VA (see to derating)
Limiting continuous current	2.6 A
Mechanical service life	2x 10 <sup>7</sup> cycles

## Product properties

Product type	I/O component
Product family	Inline
Type	modular
Scope of supply	including Inline connector and labeling field
Operating mode	Process data mode with 2 bits
Special properties	for switching inductive and capacitive loads

## Electrical properties

### Potentials: Communications power (U<sub>L</sub>)

Supply voltage	7.5 V DC (via voltage jumper)
Current draw	max. 60 mA

### Electrical isolation/isolation of the voltage ranges

Test voltage: Relay contact / Bus logics	4 kV, 50 Hz, 1 min
Test voltage: Contact/contact	1 kV, 50 Hz, 1 min
Test voltage: Contact / PE	1 kV, 50 Hz, 1 min

## Connection data

### Connection technology

Connection name	Inline connector
-----------------	------------------

### Inline connector

Connection method	Spring-cage connection
Conductor cross-section, rigid	0.08 mm <sup>2</sup> ... 1.5 mm <sup>2</sup>
Conductor cross-section, flexible	0.08 mm <sup>2</sup> ... 1.5 mm <sup>2</sup>
Conductor cross-section AWG	28 ... 16
Stripping length	8 mm

## Environmental and real-life conditions

### Ambient conditions

Ambient temperature (operation)	-25 °C ... 55 °C
Degree of protection	IP20
Air pressure (operation)	70 kPa ... 106 kPa (up to 3000 m above sea level)
Air pressure (storage/transport)	70 kPa ... 106 kPa (up to 3000 m above sea level)

# IB IL 24/230 DOR1/W-PC-PAC - Inline terminal



2862178

<https://www.phoenixcontact.com/us/products/2862178>

Ambient temperature (storage/transport)	-25 °C ... 85 °C
Permissible humidity (operation)	10 % ... 95 % (non-condensing)
Permissible humidity (storage/transport)	10 % ... 95 % (non-condensing)

## Standards and regulations

Protection class	I (IEC 61140, EN 61140, VDE 0140-1)
------------------	-------------------------------------

## Mounting

Mounting type	DIN rail mounting
---------------	-------------------

# IB IL 24/230 DOR1/W-PC-PAC - Inline terminal



2862178

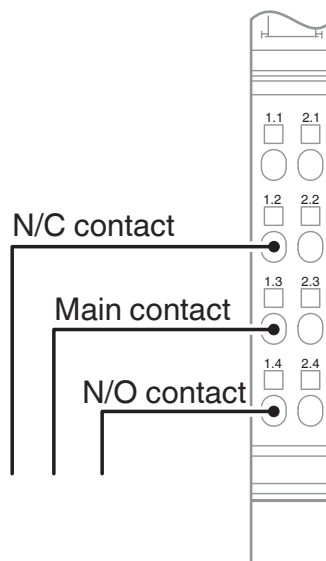
<https://www.phoenixcontact.com/us/products/2862178>

## Drawings

Dimensional drawing



Connection diagram



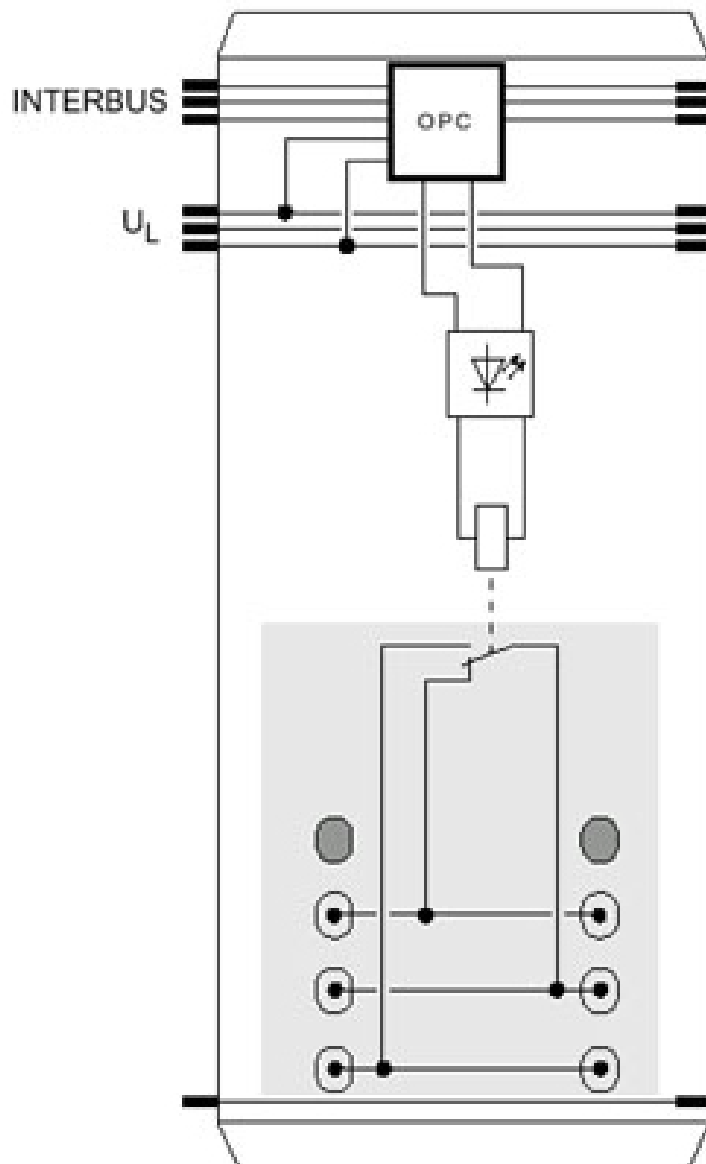
# IB IL 24/230 DOR1/W-PC-PAC - Inline terminal

2862178

<https://www.phoenixcontact.com/us/products/2862178>



Block diagram



# IB IL 24/230 DOR1/W-PC-PAC - Inline terminal



2862178

<https://www.phoenixcontact.com/us/products/2862178>

## Classifications

### UNSPSC

UNSPSC 21.0	32151600
-------------	----------

2862178

<https://www.phoenixcontact.com/us/products/2862178>

## Environmental product compliance

### EU RoHS

Fulfills EU RoHS substance requirements	Yes
Exemption	7(a), 7(c)-I

### China RoHS

Environment friendly use period (EFUP)	EFUP-E
	No hazardous substances above the limits

### EU REACH SVHC

REACH candidate substance (CAS No.)	Lead(CAS: 7439-92-1)
-------------------------------------	----------------------

Phoenix Contact 2026 © - all rights reserved

<https://www.phoenixcontact.com>

Phoenix Contact USA  
586 Fulling Mill Road  
Middletown, PA 17057, United States  
(+717) 944-1300  
[info@phoenixcon.com](mailto:info@phoenixcon.com)