

IB IL 24 PWR IN/2-F-D-PAC - Feed-in module



2862152

<https://www.phoenixcontact.com/us/products/2862152>

Please be informed that the data shown in this PDF document is generated from our online catalog. Please find the complete data in the user documentation. Our general terms of use for downloads are valid.



Inline power terminal block, complete with accessories (connector and labeling field), 24 V DC, with fuse (Main and segment voltage) and diagnostics

The figure shows the version IB IL 24 PWR IN-PAC

Product description

The terminal is designed for use within an Inline station. It provides a 24 V supply voltage to the main circuit (U_M) and automatically supplies power for the 24 V segment circuit (U_S). The terminal has protection against polarity reversal and surge voltage. The internal fuse protects the main and segment circuits. This terminal has an LED for bus diagnostics. It occupies two input data bits, which indicate the availability of the supply voltage and the status of the fuse.

Your advantages

- Supply of the 24 V main voltage U_{M}
- Provision of the 24 V segment voltage U_{S}
- Main and segment circuits protected by an internal fuse

Commercial data

Item number	2862152
Packing unit	1 pc
Minimum order quantity	1 pc
Sales key	DR01
Product key	DRI121
GTIN	4017918894641
Weight per piece (including packing)	78.633 g
Weight per piece (excluding packing)	44 g
Customs tariff number	85389099
Country of origin	DE

IB IL 24 PWR IN/2-F-D-PAC - Feed-in module

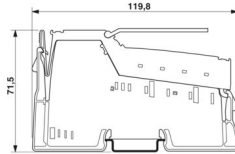


2862152

<https://www.phoenixcontact.com/us/products/2862152>

Technical data

Dimensions

Dimensional drawing	
Width	12.2 mm
Height	119.8 mm
Depth	71.5 mm

Notes

Note on application

Note on application	Only for industrial use
---------------------	-------------------------

Utilization restriction

CCCex note	Use in potentially explosive areas is not permitted in China.
------------	---

Material specifications

Color (Housing)	green (RAL 6021)
-----------------	------------------

Interfaces

Inline local bus

Number of interfaces	2
Connection method	Inline data jumper
Transmission speed	500 kbps

System properties

Programming data (LocalbusSlave)

Length code (hex)	C2
ID code (dec.)	190
Length code (dec)	194
Process data channel	2 bit
Input address area	2 bit
Output address area	0 bit
Parameter channel (PCP)	0 bit
Register length (bus)	2 bit

Fieldbus data telegram

Required parameter data	1 Byte
-------------------------	--------

IB IL 24 PWR IN/2-F-D-PAC - Feed-in module



2862152

<https://www.phoenixcontact.com/us/products/2862152>

Required configuration data	4 Byte
-----------------------------	--------

Product properties

Product type	I/O component
Product family	Inline
Type	modular
Installation location	Control cabinet
Number of plugs	1
Operating mode	Process data mode with 2 bits
Special properties	24 V DC
	U_M, U_S
	With fuse (U_M, U_S)
	With diagnostics

Insulation characteristics

Protection class	III (IEC 61140, EN 61140, VDE 0140-1)
------------------	---------------------------------------

Electrical properties

Maximum power dissipation for nominal condition	0.7 W
Test section	7.5 V supply (bus logics)/24 V supply (I/O) 500 V AC 50 Hz 1 min
	24 V supply (I/O) / functional ground 500 V AC 50 Hz 1 min
	7.5 V supply (bus logic)/functional ground 500 V AC 50 Hz 1 min
Protective circuit	Surge protection; Suppressor diode
	Reverse polarity protection; Parallel polarity protection diode
	Overload protection, short-circuit protection in the main and segment circuits; Fuse 5x20 with 6.3 A slow-blow Fuses with other values can also be used. The maximum fuse value is 6.3 A. For fuses with a value greater than 2 A, only slow-blow fuses may be used.
Fuse	SI 5 x 20 6, 300 AT (in scope of delivery)

Supply

I/O voltage	24 V DC
I/O voltage range	19.2 V DC ... 30 V DC (including all tolerances, including ripple)
Residual ripple	$\pm \pm 5 \%$
Max. current consumption	4 A
Typical current consumption	30 mA

Potentials: Communications power (U_L)

Supply voltage	7.5 V DC (via voltage jumper)
Current draw	max. 25 mA
Power consumption	max. 0.19 W

Potentials: Main circuit supply (U_M)

Supply voltage	24 V DC (via Inline connector)
Supply voltage range	19.2 V ... 30 V (including all tolerances, including ripple)
Power supply	max. 6.3 A (sum of $U_M + U_S$)

IB IL 24 PWR IN/2-F-D-PAC - Feed-in module



2862152

<https://www.phoenixcontact.com/us/products/2862152>

Current draw	typ. 4 A (nominal value)
Potentials: Segment circuit supply (U_S)	
Supply voltage	24 V DC
Supply voltage range	19.2 V DC ... 30 V DC (including all tolerances, including ripple)
Power supply	max. 6.3 A (sum of $U_M + U_S$)
Current draw	typ. 4 A (nominal value)

Connection data

Connection technology

Connection name	Inline connector
-----------------	------------------

Inline connector

Connection method	Spring-cage connection
Conductor cross-section, rigid	0.08 mm ² ... 1.5 mm ²
Conductor cross-section, flexible	0.08 mm ² ... 1.5 mm ²
Conductor cross-section AWG	28 ... 16
Stripping length	8 mm

Environmental and real-life conditions

Ambient conditions

Degree of protection	IP20
Ambient temperature (operation)	-25 °C ... 55 °C
Ambient temperature (storage/transport)	-25 °C ... 85 °C
Permissible humidity (operation)	10 % ... 95 % (non-condensing)
Permissible humidity (storage/transport)	10 % ... 95 % (non-condensing)
Air pressure (operation)	70 kPa ... 106 kPa (up to 3000 m above sea level)
Air pressure (storage/transport)	70 kPa ... 106 kPa (up to 3000 m above sea level)

Mounting

Mounting type	DIN rail mounting
---------------	-------------------

IB IL 24 PWR IN/2-F-D-PAC - Feed-in module

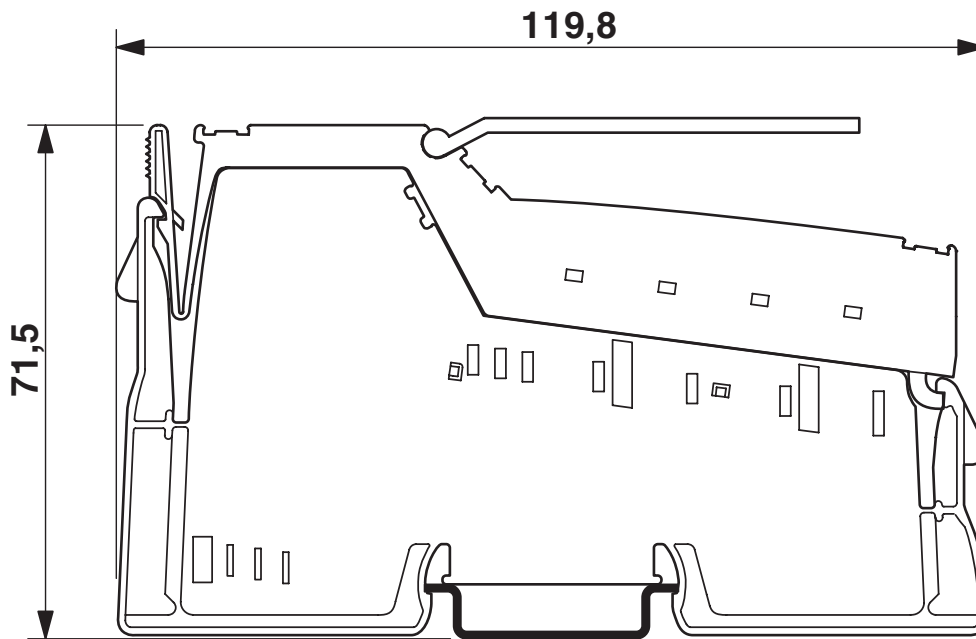


2862152

<https://www.phoenixcontact.com/us/products/2862152>

Drawings

Dimensional drawing



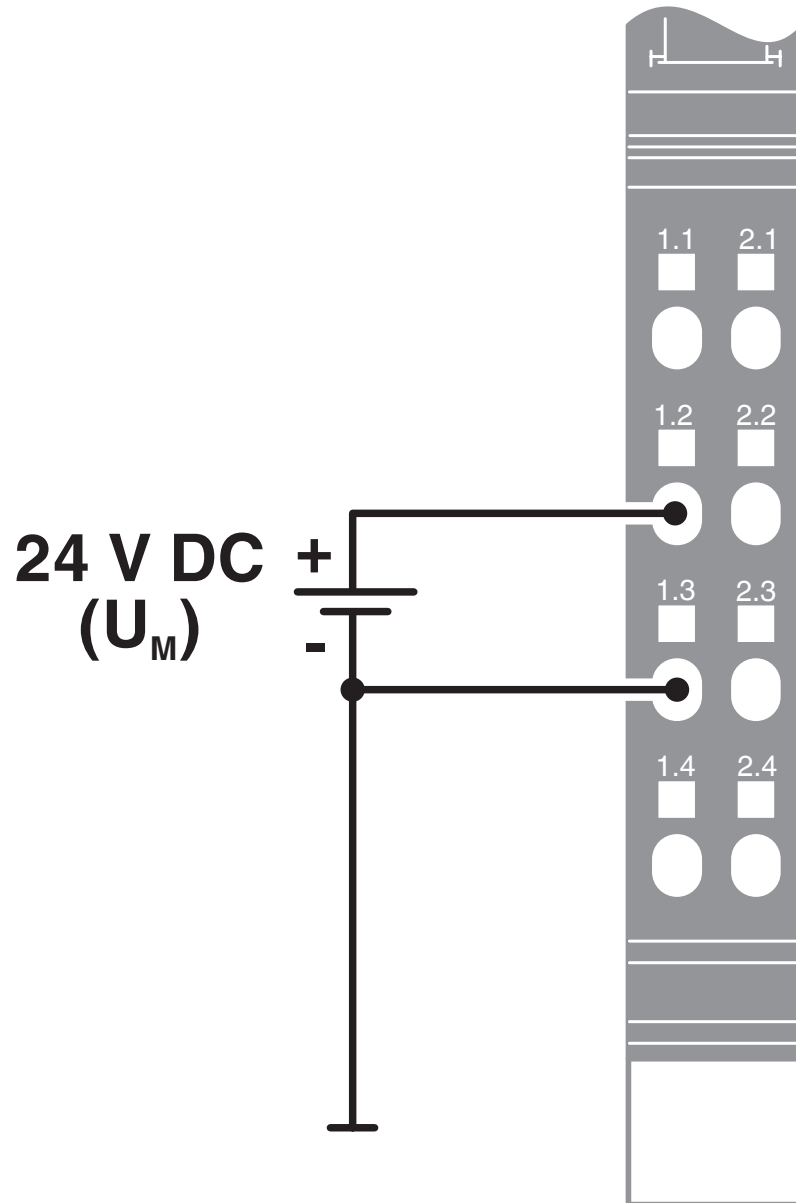
IB IL 24 PWR IN/2-F-D-PAC - Feed-in module

2862152

<https://www.phoenixcontact.com/us/products/2862152>



Connection diagram

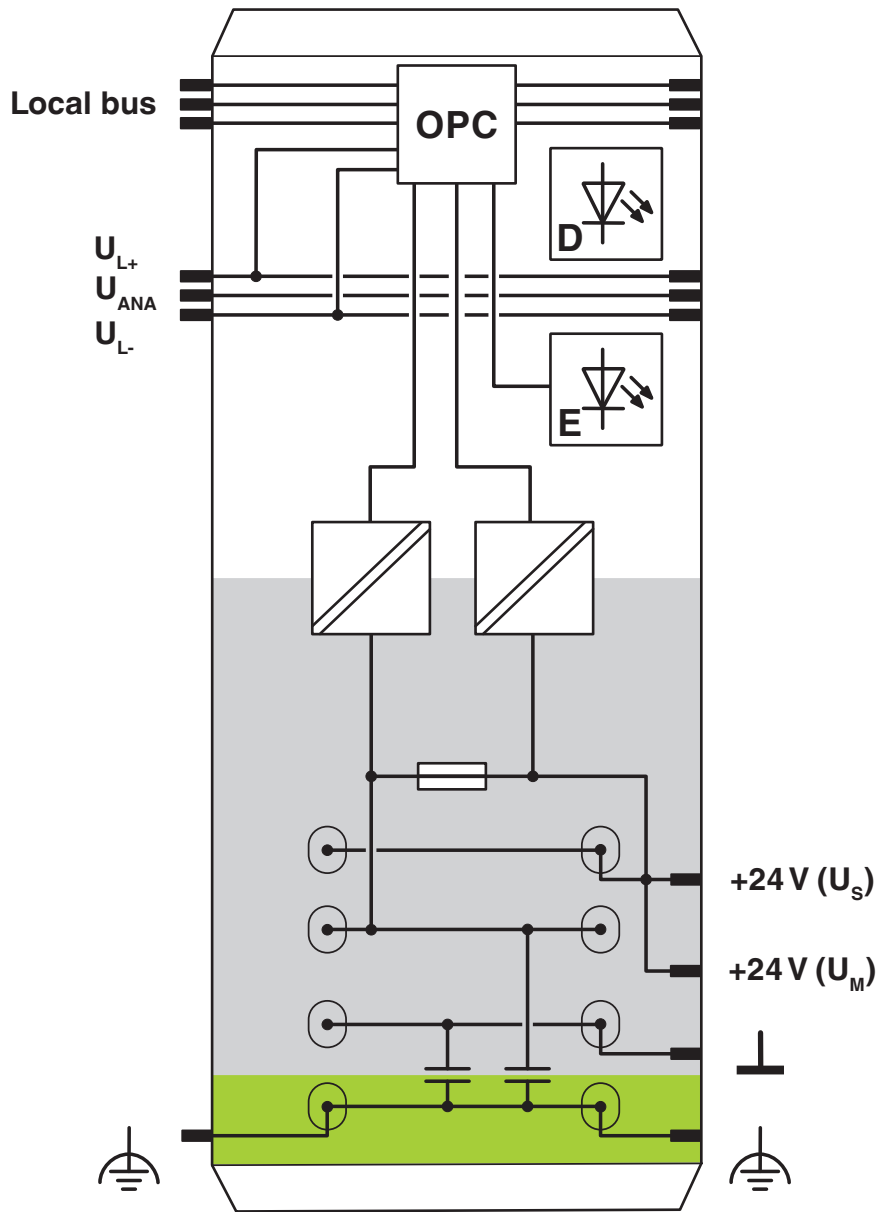


IB IL 24 PWR IN/2-F-D-PAC - Feed-in module

2862152

<https://www.phoenixcontact.com/us/products/2862152>

Block diagram



Internal wiring of the terminal points

IB IL 24 PWR IN/2-F-D-PAC - Feed-in module



2862152

<https://www.phoenixcontact.com/us/products/2862152>

Approvals

To download certificates, visit the product detail page: <https://www.phoenixcontact.com/us/products/2862152>



cULus Recognized
Approval ID: E140324

IB IL 24 PWR IN/2-F-D-PAC - Feed-in module



2862152

<https://www.phoenixcontact.com/us/products/2862152>

Classifications

ECLASS

ECLASS-13.0	27242610
ECLASS-15.0	27242610

ETIM

ETIM 10.0	EC001600
-----------	----------

UNSPSC

UNSPSC 21.0	32151600
-------------	----------

2862152

<https://www.phoenixcontact.com/us/products/2862152>

Environmental product compliance

EU RoHS

Fulfills EU RoHS substance requirements	Yes
Exemption	7(a), 7(c)-I

China RoHS

Environment friendly use period (EFUP)	EFUP-50
	An article-related China RoHS declaration table can be found in the download area for the respective article under "Manufacturer declaration". For all articles with EFUP-E, no China RoHS declaration table issued and required.

EU REACH SVHC

REACH candidate substance (CAS No.)	Lead(CAS: 7439-92-1)
SCIP	1fabced0-b1d9-4502-81ef-7b6b98b7e70e

Phoenix Contact 2026 © - all rights reserved

<https://www.phoenixcontact.com>

Phoenix Contact USA
 586 Fulling Mill Road
 Middletown, PA 17057, United States
 (+717) 944-1300
info@phoenixcon.com