

# IB IL 24 PWR IN/2-F-PAC - Feed-in module



2862136

<https://www.phoenixcontact.com/us/products/2862136>

Please be informed that the data shown in this PDF document is generated from our online catalog. Please find the complete data in the user documentation. Our general terms of use for downloads are valid.



Inline power terminal, complete with accessories (connector and labeling field), 24 V DC, with fuse (main and segment voltage)

The figure shows the version IB IL 24 PWR IN-PAC

## Product description

The terminal is designed for use within an Inline station. It provides a 24 V supply voltage to the main circuit ( $U_M$ ) and automatically supplies power for the 24 V segment circuit ( $U_S$ ). The terminal has protection against polarity reversal and surge voltage. The internal fuse protects the main and segment circuits.

## Your advantages

- Supply of the 24 V main voltage  $U_{M}$
- Provision of the 24 V segment voltage  $U_{S}$
- Main and segment circuits protected by an internal fuse

## Commercial data

Item number	2862136
Packing unit	1 pc
Minimum order quantity	1 pc
Sales key	DR01
Product key	DRI121
GTIN	4017918894634
Weight per piece (including packing)	79 g
Weight per piece (excluding packing)	59 g
Customs tariff number	85389099
Country of origin	DE

# IB IL 24 PWR IN/2-F-PAC - Feed-in module

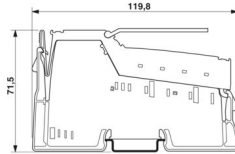


2862136

<https://www.phoenixcontact.com/us/products/2862136>

## Technical data

### Dimensions

Dimensional drawing	
Width	12.2 mm
Height	119.8 mm
Depth	71.5 mm

### Notes

Note on application

Note on application	Only for industrial use
---------------------	-------------------------

### Material specifications

Color (Housing)	green (RAL 6021)
-----------------	------------------

### Interfaces

Inline local bus

Number of interfaces	2
Connection method	Inline data jumper
Transmission speed	500 kbps / 2 Mbps

### System properties

Programming data

ID code (dec.)	none
Register length (bus)	0 bit

Fieldbus data telegram (PROFIBUS)

Required parameter data	0 Byte
Required configuration data	0 Byte

### Product properties

Product type	I/O component
Product family	Inline
Type	modular
Installation location	Control cabinet
Number of plugs	1
	24 V DC

Special properties	$U_M, U_S$
	With fuse ( $U_M, U_S$ )

### Insulation characteristics

Overvoltage category	II (IEC 60664-1, EN 60664-1)
Pollution degree	2 (IEC 60664-1, EN 60664-1)

### Electrical properties

Maximum power dissipation for nominal condition	1.8 W
Test section	7.5 V supply (bus logics)/24 V supply (I/O) 500 V AC 50 Hz 1 min
	24 V supply (I/O) / functional ground 500 V AC 50 Hz 1 min
	7.5 V supply (bus logic)/functional ground 500 V AC 50 Hz 1 min
Protective circuit	Surge protection; Suppressor diode
	Reverse polarity protection; Parallel polarity protection diode
	Overload protection, short-circuit protection in the main and segment circuits; Fuse 5 x 20 with 6.3 A, slow-blow Fuses with other values can also be used. The maximum fuse value is 8 A. For fuses with a value greater than 2 A, only slow-blow fuses may be used.
Fuse	SI 5 x 20 6, 300 AT (in scope of delivery)

### Supply

I/O voltage	24 V DC
I/O voltage range	19.2 V DC ... 30 V DC (including all tolerances, including ripple)
Residual ripple	$\pm \pm 5 \%$
Max. current consumption	6 A (8 A)

### Potentials: Main circuit supply ( $U_M$ )

Supply voltage	24 V DC (via Inline connector)
Supply voltage range	19.2 V ... 30 V (including all tolerances, including ripple)
Power supply	max. 6 A (sum of $U_M + U_S$ )

### Potentials: Segment circuit supply ( $U_S$ )

Supply voltage	24 V DC
Supply voltage range	19.2 V DC ... 30 V DC (including all tolerances, including ripple)
Power supply	max. 6 A (sum of $U_M + U_S$ )

### Connection data

#### Connection technology

Connection name	Inline connector
-----------------	------------------

#### Inline connector

Connection method	Spring-cage connection
Conductor cross-section, rigid	0.08 mm <sup>2</sup> ... 1.5 mm <sup>2</sup>
Conductor cross-section, flexible	0.08 mm <sup>2</sup> ... 1.5 mm <sup>2</sup>
Conductor cross-section AWG	28 ... 16
Stripping length	8 mm

## Environmental and real-life conditions

### Ambient conditions

Degree of protection	IP20
Ambient temperature (operation)	-25 °C ... 55 °C
Ambient temperature (storage/transport)	-25 °C ... 85 °C
Permissible humidity (operation)	10 % ... 95 % (non-condensing)
Permissible humidity (storage/transport)	10 % ... 95 % (non-condensing)
Air pressure (operation)	70 kPa ... 106 kPa (up to 3000 m above sea level)
Air pressure (storage/transport)	70 kPa ... 106 kPa (up to 3000 m above sea level)

### Mechanical test

Vibration resistance in accordance with EN 60068-2-6/IEC 60068-2-6	5g
Shock in accordance with EN 60068-2-27/IEC 60068-2-27	25g

## Standards and regulations

Protection class	III (IEC 61140, EN 61140, VDE 0140-1)
------------------	---------------------------------------

## Mounting

Mounting type	DIN rail mounting
---------------	-------------------

# IB IL 24 PWR IN/2-F-PAC - Feed-in module



2862136

<https://www.phoenixcontact.com/us/products/2862136>

## Drawings

Dimensional drawing



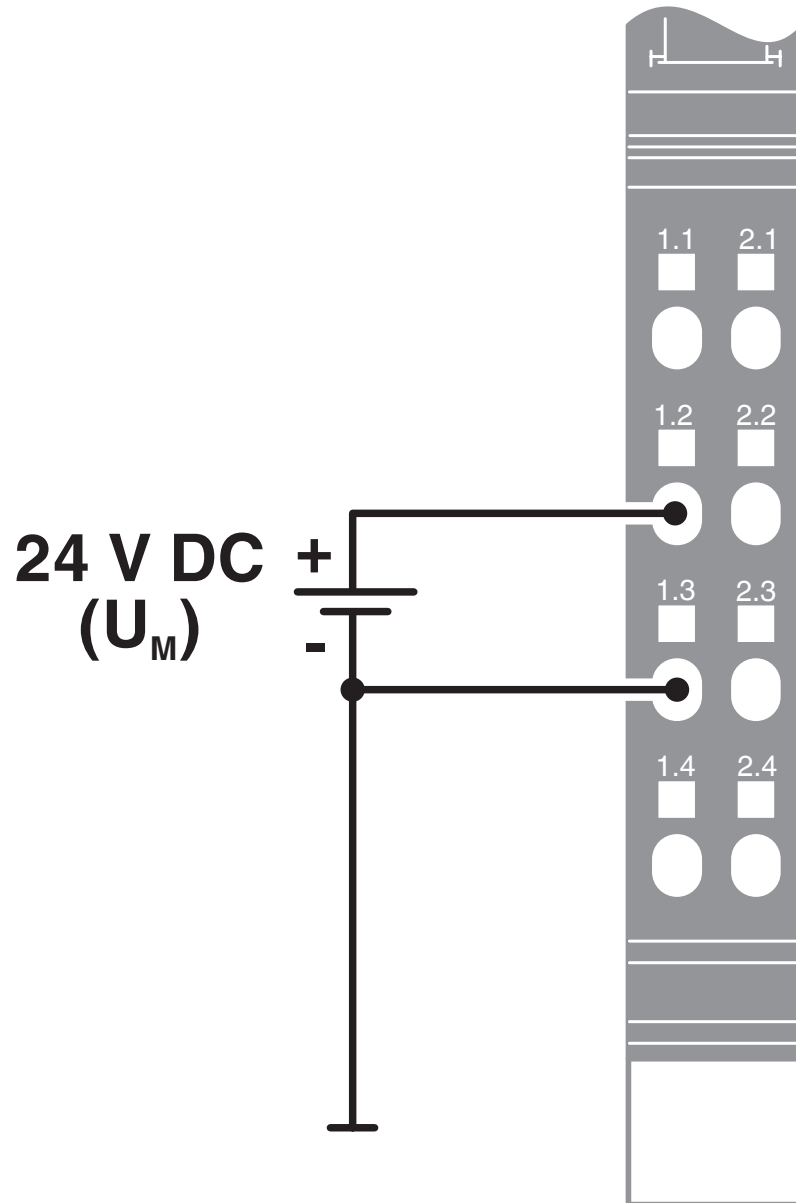
# IB IL 24 PWR IN/2-F-PAC - Feed-in module

2862136

<https://www.phoenixcontact.com/us/products/2862136>



Connection diagram



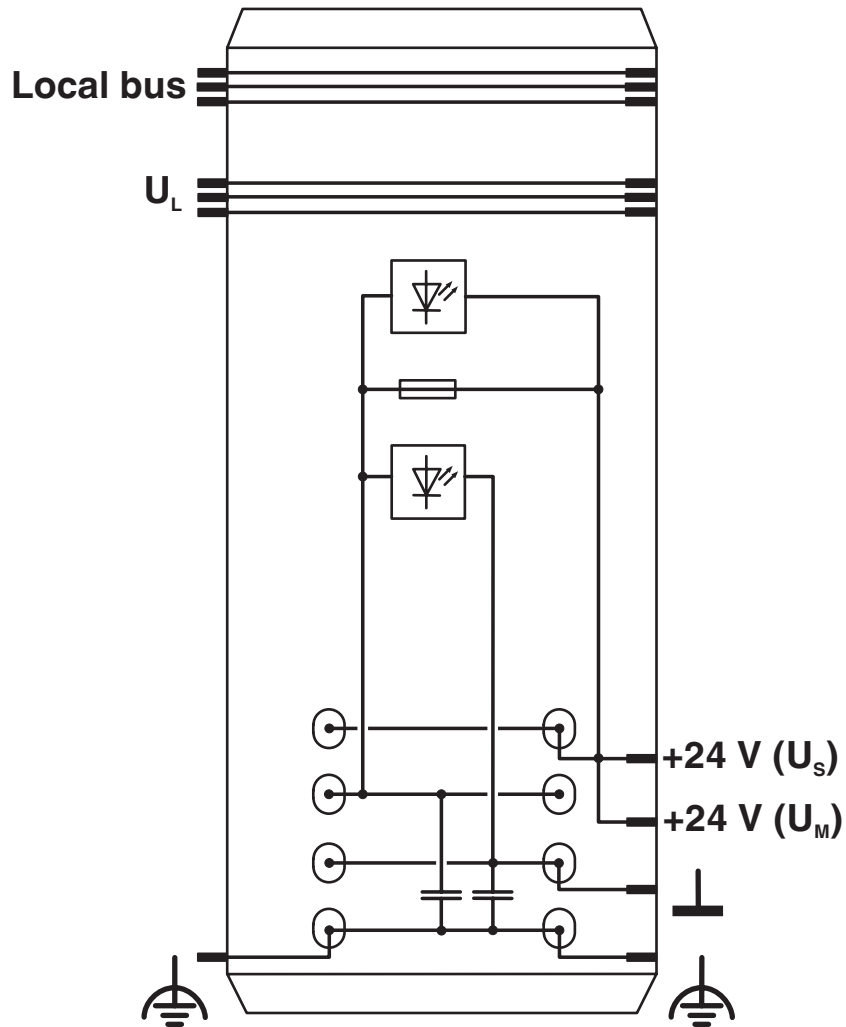
# IB IL 24 PWR IN/2-F-PAC - Feed-in module

2862136

<https://www.phoenixcontact.com/us/products/2862136>



Block diagram



Internal wiring of the terminal points

# IB IL 24 PWR IN/2-F-PAC - Feed-in module



2862136

<https://www.phoenixcontact.com/us/products/2862136>

## Approvals

To download certificates, visit the product detail page: <https://www.phoenixcontact.com/us/products/2862136>



**DNV GL**

Approval ID: TAA00000BN



**LR**

Approval ID: LR23398855TA



**BV**

Approval ID: 21725/C1 BV

**BSH**

Approval ID: 658a



**RINA**

Approval ID: ELE121121XG

**ABS**

Approval ID: 22-2226444-PDA



**cULus Recognized**

Approval ID: E140324

# IB IL 24 PWR IN/2-F-PAC - Feed-in module



2862136

<https://www.phoenixcontact.com/us/products/2862136>

## Classifications

### ECLASS

ECLASS-13.0	27242610
ECLASS-15.0	27242610

### ETIM

ETIM 10.0	EC001600
-----------	----------

### UNSPSC

UNSPSC 21.0	32151600
-------------	----------

# IB IL 24 PWR IN/2-F-PAC - Feed-in module



2862136

<https://www.phoenixcontact.com/us/products/2862136>

## Environmental product compliance

### EU RoHS

Fulfills EU RoHS substance requirements	Yes
Exemption	7(a), 7(c)-I

### China RoHS

Environment friendly use period (EFUP)	EFUP-50
	An article-related China RoHS declaration table can be found in the download area for the respective article under "Manufacturer declaration". For all articles with EFUP-E, no China RoHS declaration table issued and required.

### EU REACH SVHC

REACH candidate substance (CAS No.)	Lead(CAS: 7439-92-1)
SCIP	e55f390b-cf10-46ed-b85d-e7d81be04181

Phoenix Contact 2026 © - all rights reserved

<https://www.phoenixcontact.com>

Phoenix Contact USA  
586 Fulling Mill Road  
Middletown, PA 17057, United States  
(+717) 944-1300  
[info@phoenixcon.com](mailto:info@phoenixcon.com)