

IB IL 24/230 DOR1/W-2MBD-PAC - Inline terminal



2862110

<https://www.phoenixcontact.com/us/products/2862110>

Please be informed that the data shown in this PDF document is generated from our online catalog. Please find the complete data in the user documentation. Our general terms of use for downloads are valid.



Inline, Relay terminal, Relay output: 1 (floating contacts), 24 V DC, 230 V AC, for switching ohmic loads, transmission speed in the local bus: 2 Mbps, degree of protection: IP20, including Inline connector and labeling field

Product description

Inline terminals with "2 MBD" added to their item designation work with a transmission speed of 2 Mbps. These terminal blocks are discontinued or no longer in the range. If you require this transmission speed, please ask your local Phoenix Contact representative. If you can work with a transmission speed of 500 kbps, select as a replacement the corresponding variant that does not have "2MBD" added to its item designation. Please note that a uniform transmission speed must always be used within one inline station. The terminal is designed for use within an Inline station. It has one floating relay changeover contact.

Your advantages

- Safe isolation
- Floating connection for one actuator
- Nominal current at the output: 3 A
- Total current of the terminal: 3 A
- Diagnostic and status indicators

Commercial data

Item number	2862110
Packing unit	1 pc
Note	Made to order (non-returnable)
Sales key	DR01
Product key	DRI133
GTIN	4017918974732
Weight per piece (including packing)	80.7 g
Weight per piece (excluding packing)	46 g
Customs tariff number	85389091
Country of origin	DE

Technical data

Dimensions

Dimensional drawing	
Width	12.2 mm
Height	119.8 mm
Depth	71.5 mm
Note on dimensions	Housing dimensions

Material specifications

Color	gray
-------	------

Interfaces

Inline local bus

No. of channels	2
Connection method	Inline data jumper
Transmission speed	2 Mbps

System properties

Programming data (LocalbusSlave)

Length code (hex)	C2
ID code (dec.)	189
Length code (dec)	194
Process data channel	2 bit
Input address area	0 Byte
Output address area	2 bit (Only bit0 is occupied)
Parameter channel (PCP)	0 bit
Register length (bus)	2 bit

Fieldbus data telegram

Required parameter data	3 Byte
Required configuration data	4 Byte

Output data

Relay

Number of outputs	1 (floating contacts)
Connection method	Spring-cage connection

2862110

<https://www.phoenixcontact.com/us/products/2862110>

Switching voltage	max. 250 V DC
	min. 5 V DC

Product properties

Product type	I/O component
Product family	Inline
Type	modular
Scope of supply	including Inline connector and labeling field
No. of channels	1
Special properties	for switching ohmic loads

Electrical properties

Maximum power dissipation for nominal condition	1.2 W
---	-------

Potentials: Communications power (U_L)

Supply voltage	7.5 V DC (via voltage jumper)
Current draw	max. 60 mA

Electrical isolation/isolation of the voltage ranges

Test voltage: Relay contact / Bus logics	4 kV, 50 Hz, 1 min
Test voltage: Contact/contact	1 kV, 50 Hz, 1 min
Test voltage: Contact / PE	1 kV, 50 Hz, 1 min

Connection data

Connection technology

Connection name	Inline connector
-----------------	------------------

Inline connector

Connection method	Spring-cage connection
Conductor cross-section, rigid	0.08 mm ² ... 1.5 mm ²
Conductor cross-section, flexible	0.08 mm ² ... 1.5 mm ²
Conductor cross-section AWG	28 ... 16
Stripping length	8 mm

Environmental and real-life conditions

Ambient conditions

Ambient temperature (operation)	-25 °C ... 55 °C
Degree of protection	IP20
Air pressure (operation)	70 kPa ... 106 kPa (up to 3000 m above sea level)
Air pressure (storage/transport)	70 kPa ... 106 kPa (up to 3000 m above sea level)
Ambient temperature (storage/transport)	-25 °C ... 85 °C
Permissible humidity (operation)	75 % ... 85 % (in the range of -25°C ... +55°C, appropriate measures against increased humidity (> 85%) must be taken.)
Permissible humidity (storage/transport)	75 % ... 85 % (slight temporary condensation may sometimes appear on the housing)

IB IL 24/230 DOR1/W-2MBD-PAC - Inline terminal



2862110

<https://www.phoenixcontact.com/us/products/2862110>

Standards and regulations

Protection class

I (IEC 61140, EN 61140, VDE 0140-1)

Mounting

Mounting type

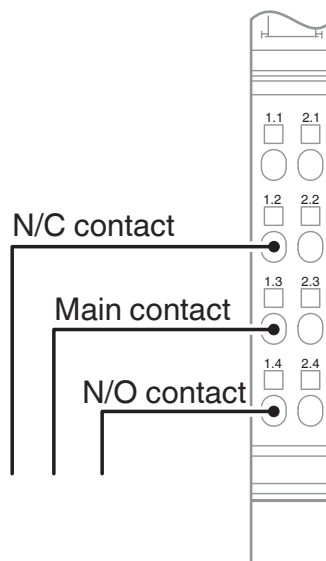
DIN rail mounting

Drawings

Dimensional drawing



Connection diagram



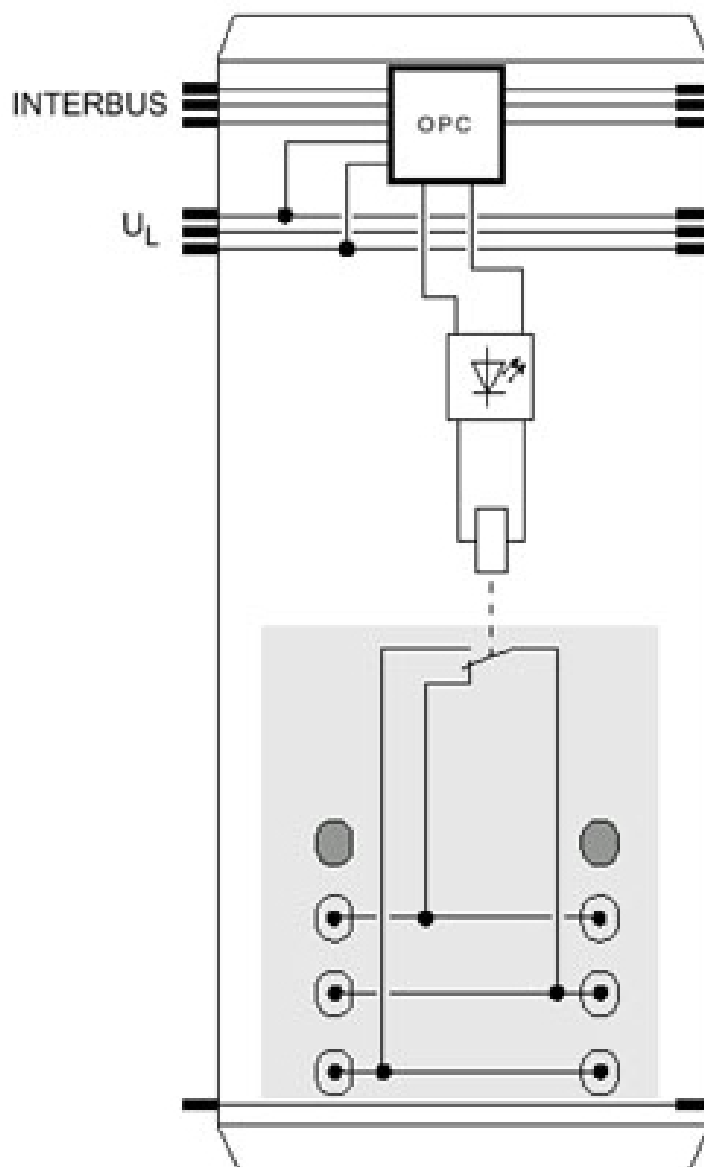
IB IL 24/230 DOR1/W-2MBD-PAC - Inline terminal

2862110

<https://www.phoenixcontact.com/us/products/2862110>



Block diagram



IB IL 24/230 DOR1/W-2MBD-PAC - Inline terminal



2862110

<https://www.phoenixcontact.com/us/products/2862110>

Classifications

UNSPSC

UNSPSC 21.0	32151600
-------------	----------

2862110

<https://www.phoenixcontact.com/us/products/2862110>

Environmental product compliance

EU RoHS

Fulfills EU RoHS substance requirements	Yes
Exemption	7(a), 7(c)-I

China RoHS

Environment friendly use period (EFUP)	EFUP-E
	No hazardous substances above the limits

EU REACH SVHC

REACH candidate substance (CAS No.)	Lead(CAS: 7439-92-1)
-------------------------------------	----------------------

Phoenix Contact 2026 © - all rights reserved

<https://www.phoenixcontact.com>

Phoenix Contact USA
586 Fulling Mill Road
Middletown, PA 17057, United States
(+717) 944-1300
info@phoenixcon.com