

IBS IL 24 BK-LK-2MBD-PAC - Bus coupler



2862068

<https://www.phoenixcontact.com/us/products/2862068>

Please be informed that the data shown in this PDF document is generated from our online catalog. Please find the complete data in the user documentation. Our general terms of use for downloads are valid.



Inline, Bus coupler, INTERBUS, F-SMA connector, transmission speed in the local bus: 2 Mbps, degree of protection: IP20, including Inline connector and labeling field

Product description

Inline terminals with "2 MBD" added to their item designation work with a transmission speed of 2 Mbps. These terminal blocks are discontinued or no longer in the range. If you require this transmission speed, please ask your local Phoenix Contact representative. If you can work with a transmission speed of 500 kbps, select as a replacement the corresponding variant that does not have "2MBD" added to its item designation. Please note that a uniform transmission speed must always be used within one inline station. The bus coupler connects an Inline station to the INTERBUS remote bus. It provides the supply voltages for the connected analog modules.

Your advantages

- Remote bus connections using fiber optic technology
- Optical path diagnostics

Commercial data

Item number	2862068
Packing unit	1 pc
Minimum order quantity	1 pc
Sales key	DR01
Product key	DRI111
GTIN	4017918974695
Weight per piece (including packing)	293.6 g
Weight per piece (excluding packing)	220 g
Customs tariff number	85389091
Country of origin	DE

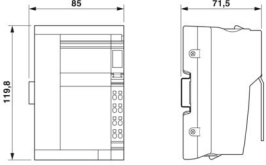
IBS IL 24 BK-LK-2MBD-PAC - Bus coupler

2862068

<https://www.phoenixcontact.com/us/products/2862068>

Technical data

Dimensions

Dimensional drawing	
Width	85 mm
Height	119.8 mm
Depth	71.5 mm

Notes

Note on application

Note on application	Only for industrial use
---------------------	-------------------------

Material specifications

Color (Housing)	green (RAL 6021)
-----------------	------------------

Interfaces

INTERBUS

Number of interfaces	2
Connection method	F-SMA connector
Transmission speed	2 Mbps
Transmission physics	FO

Inline local bus

Number of interfaces	1
Connection method	Inline data jumper
Transmission speed	2 Mbps

System properties

System limits

Number of local bus devices that can be connected	63
Number of devices with parameter channel	62
Number of supported branch terminals with remote bus branch	max. 15

Programming data

Length code (hex)	00
ID code (dec.)	04
Length code (dec)	00
Process data channel	0 bit

IBS IL 24 BK-LK-2MBD-PAC - Bus coupler



2862068

<https://www.phoenixcontact.com/us/products/2862068>

Input address area	0 Byte
Output address area	0 Byte
Parameter channel (PCP)	0 Byte
Register length (bus)	0 bit
Register length (master)	8192 bit

Product properties

Product type	I/O component
Product family	Inline
Type	modular
Scope of supply	including Inline connector and labeling field

Insulation characteristics

Overvoltage category	II (IEC 60664-1, EN 60664-1)
Pollution degree	2 (IEC 60664-1, EN 60664-1)

Electrical properties

Maximum power dissipation for nominal condition	3 W
Protective circuit	Reverse polarity protection

Potentials: Bus coupler supply U_{BK} ; Communications power U_L (7.5 V) and the analog supply U_{ANA} (24 V) are generated from the bus coupler supply.

Supply voltage	24 V DC (via Inline connector)
Supply voltage range	19.2 V DC ... 30 V DC (including all tolerances, including ripple)
Current draw	max. 1.25 A (with max. number of connected I/O terminal blocks)

Potentials: Communications power (U_L)

Supply voltage	7.5 V DC $\pm 5\%$
Power supply	max. 2 A DC (observe derating)

Potentials: Supply of analog modules (U_{ANA})

Supply voltage	24 V DC
Supply voltage range	19.2 V DC ... 30 V DC (including all tolerances, including ripple)
Power supply	max. 0.5 A DC (observe derating)

Electrical isolation/isolation of the voltage ranges

Test voltage: 7.5 V communications power, 24 V analog supply, 24 V bus coupler supply/functional ground	500 V AC, 50 Hz, 1 min
---	------------------------

Connection data

Connection technology

Connection name	Inline connector
-----------------	------------------

Inline connector

Connection method	Spring-cage connection
Conductor cross-section, rigid	0.09 mm ² ... 1.5 mm ²
Conductor cross-section, flexible	0.09 mm ² ... 1.5 mm ²

IBS IL 24 BK-LK-2MBD-PAC - Bus coupler



2862068

<https://www.phoenixcontact.com/us/products/2862068>

Conductor cross-section AWG	28 ... 16
Stripping length	8 mm

Environmental and real-life conditions

Ambient conditions

Ambient temperature (operation)	-25 °C ... 55 °C
Degree of protection	IP20
Air pressure (operation)	70 kPa ... 106 kPa (up to 3000 m above sea level)
Air pressure (storage/transport)	70 kPa ... 106 kPa (up to 3000 m above sea level)
Ambient temperature (storage/transport)	-25 °C ... 85 °C
Permissible humidity (operation)	10 % ... 95 % (non-condensing)
Permissible humidity (storage/transport)	10 % ... 95 % (non-condensing)

Mechanical test

Vibration resistance in accordance with EN 60068-2-6/IEC 60068-2-6	5g
Shock in accordance with EN 60068-2-27/IEC 60068-2-27	25g

Standards and regulations

Protection class	III (IEC 61140, EN 61140, VDE 0140-1)
------------------	---------------------------------------

Mounting

Mounting type	DIN rail mounting
---------------	-------------------

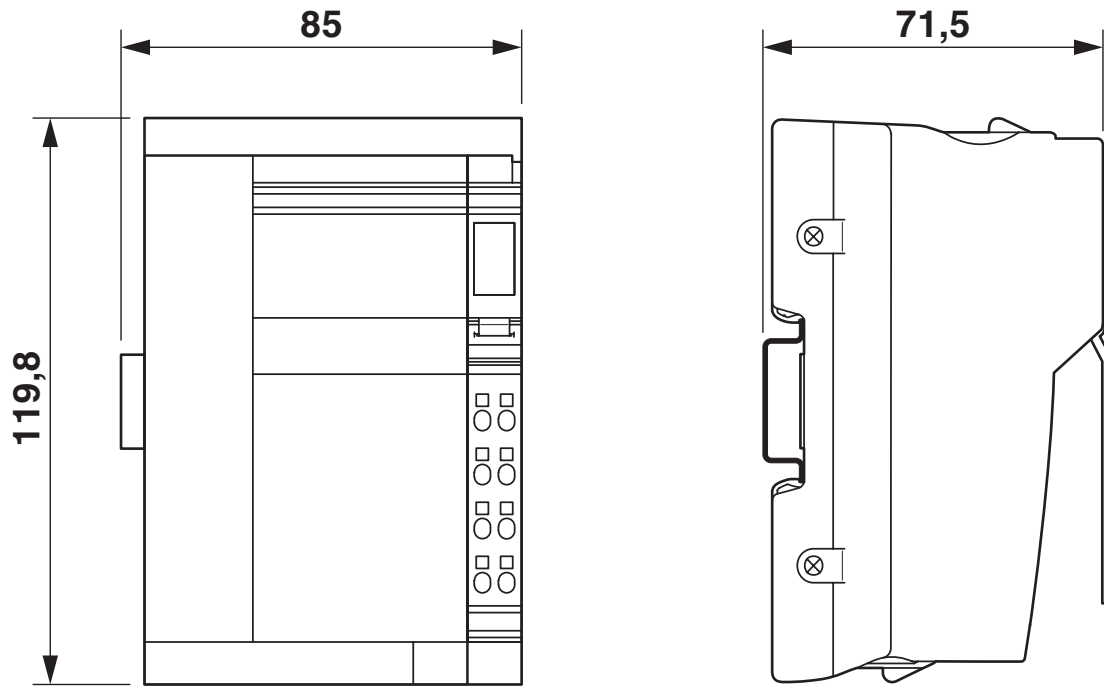
IBS IL 24 BK-LK-2MBD-PAC - Bus coupler

2862068

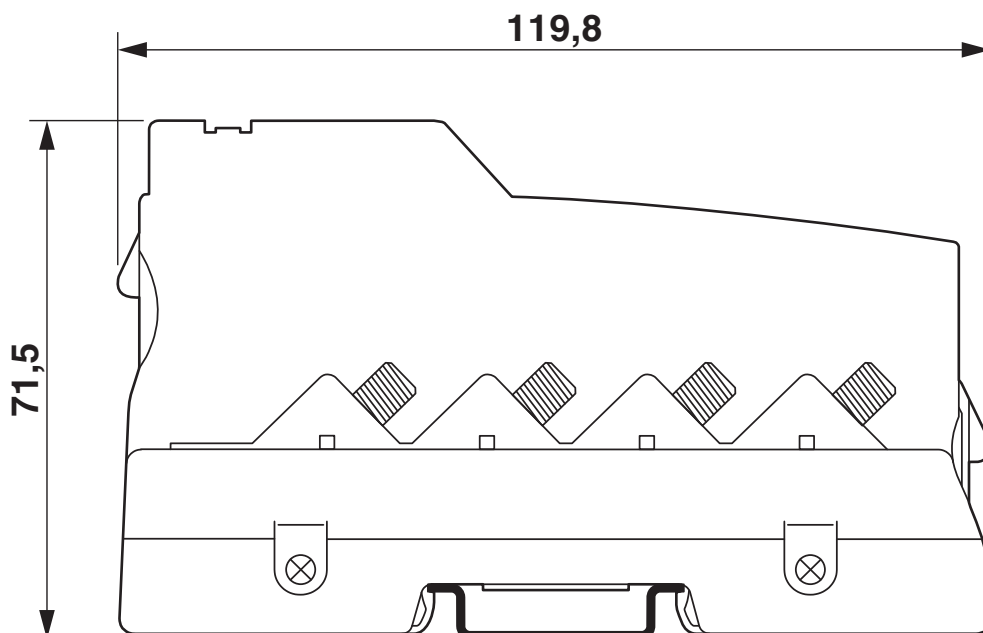
<https://www.phoenixcontact.com/us/products/2862068>

Drawings

Dimensional drawing



Dimensional drawing

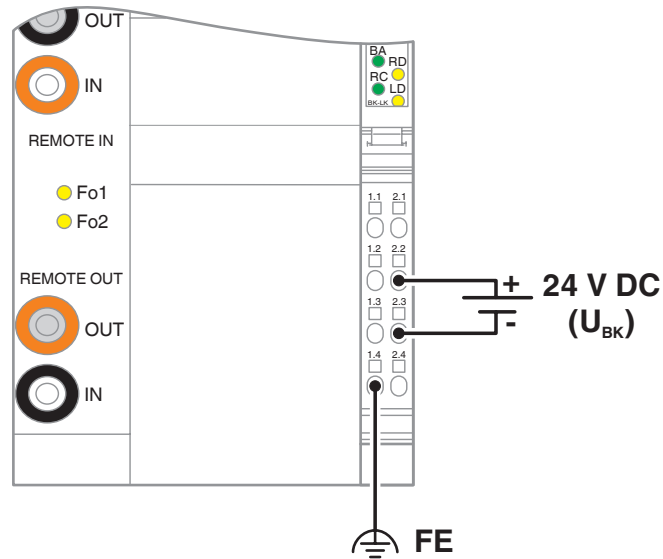


IBS IL 24 BK-LK-2MBD-PAC - Bus coupler

2862068

<https://www.phoenixcontact.com/us/products/2862068>

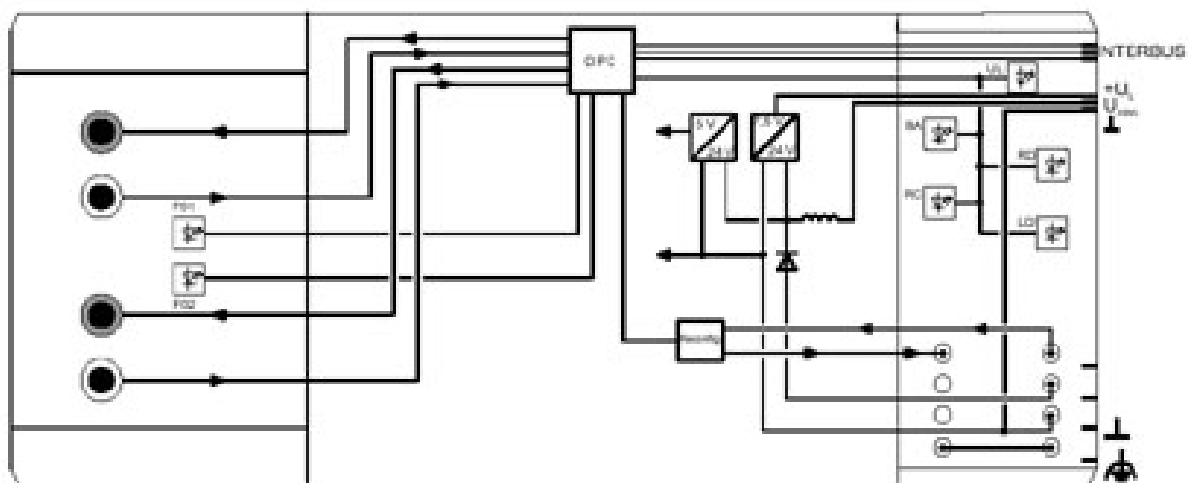
Connection diagram



2862068

<https://www.phoenixcontact.com/us/products/2862068>

Block diagram



IBS IL 24 BK-LK-2MBD-PAC - Bus coupler



2862068

<https://www.phoenixcontact.com/us/products/2862068>

Approvals

To download certificates, visit the product detail page: <https://www.phoenixcontact.com/us/products/2862068>



cULus Listed

Approval ID: E140324

IBS IL 24 BK-LK-2MBD-PAC - Bus coupler



2862068

<https://www.phoenixcontact.com/us/products/2862068>

Classifications

ECLASS

ECLASS-13.0	27242608
ECLASS-15.0	27242608

ETIM

ETIM 10.0	EC001604
-----------	----------

UNSPSC

UNSPSC 21.0	32151600
-------------	----------

IBS IL 24 BK-LK-2MBD-PAC - Bus coupler



2862068

<https://www.phoenixcontact.com/us/products/2862068>

Environmental product compliance

EU RoHS

Fulfills EU RoHS substance requirements	Yes
Exemption	7(a), 7(c)-I

China RoHS

Environment friendly use period (EFUP)	EFUP-E
	No hazardous substances above the limits

EU REACH SVHC

REACH candidate substance (CAS No.)	Lead(CAS: 7439-92-1)
SCIP	174445c5-d3b3-4fd4-8de3-d9e12b6bd17e

Phoenix Contact 2026 © - all rights reserved
<https://www.phoenixcontact.com>

Phoenix Contact USA
586 Fulling Mill Road
Middletown, PA 17057, United States
(+717) 944-1300
info@phoenixcon.com