

# IBS IL 24 BK RB LK-2MBD-PAC - Bus coupler



2862026

<https://www.phoenixcontact.com/us/products/2862026>

Please be informed that the data shown in this PDF document is generated from our online catalog. Please find the complete data in the user documentation. Our general terms of use for downloads are valid.



INTERBUS bus coupler, with fiber optic connection, 24 V DC, transmission speed 2 Mbaud, complete with accessories (plug and labeling field)

## Product description

Inline terminals with "2 MBD" added to their item designation work with a transmission speed of 2 Mbps. These terminal blocks are discontinued or no longer in the range. If you require this transmission speed, please ask your local Phoenix Contact representative. If you can work with a transmission speed of 500 kbps, select as a replacement the corresponding variant that does not have "2MBD" added to its item designation. Please note that a uniform transmission speed must always be used within one inline station.

## Your advantages

- Remote bus connections using fiber optic technology
- Optical path diagnostics

## Commercial data

Item number	2862026
Packing unit	1 pc
Note	Made to order (non-returnable)
Sales key	DR01
Product key	DRI111
GTIN	4017918974664
Weight per piece (including packing)	320.7 g
Weight per piece (excluding packing)	235 g
Customs tariff number	85389091
Country of origin	DE

# IBS IL 24 BK RB LK-2MBD-PAC - Bus coupler

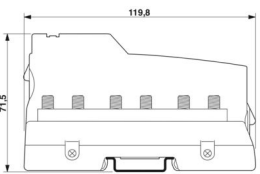


2862026

<https://www.phoenixcontact.com/us/products/2862026>

## Technical data

### Dimensions

Dimensional drawing	
Width	85 mm
Height	119.8 mm
Depth	71.5 mm

### Notes

#### Utilization restriction

EMC note	EMC: class A product, see manufacturer's declaration in the download area
----------	---

### Material specifications

Color	green
-------	-------

### Interfaces

#### INTERBUS

No. of channels	3
Connection method	F-SMA connector
Number of positions	2
Transmission speed	2 Mbps
Transmission physics	FO

#### Inline local bus

Connection method	Inline data jumper
Transmission physics	Copper

### System properties

#### System limits

Number of local bus devices that can be connected	63
Number of devices with parameter channel	62
Number of supported branch terminals with remote bus branch	max. 15

#### Programming data

Length code (hex)	0
ID code (dec.)	12
Length code (dec)	0

# IBS IL 24 BK RB LK-2MBD-PAC - Bus coupler



2862026

<https://www.phoenixcontact.com/us/products/2862026>

Process data channel	0 bit
Input address area	0 Byte
Parameter channel (PCP)	0 Byte
Register length (bus)	0 bit
Register length (master)	8192 bit

## Product properties

Product type	I/O component
Product family	Inline
Type	modular

## Electrical properties

Maximum power dissipation for nominal condition	31.2 W
Protective circuit	Reverse polarity protection

Potentials: Bus coupler supply  $U_{BK}$ ; Communications power  $U_L$  (7.5 V) and the analog supply  $U_{ANA}$  (24 V) are generated from the bus coupler supply.

Supply voltage	24 V DC (via Inline connector)
Supply voltage range	19.2 V DC ... 30 V DC (including all tolerances, including ripple)
Current draw	max. 1.3 A (with max. number of connected I/O terminal blocks) typ. 120 mA (without connected Inline I/O terminals)

Potentials: Communications power ( $U_L$ )

Supply voltage	7.5 V DC $\pm 5\%$
Power supply	max. 2 A DC (observe derating)

Potentials: Supply of analog modules ( $U_{ANA}$ )

Supply voltage	24 V DC
Supply voltage range	19.2 V DC ... 30 V DC (including all tolerances, including ripple)
Power supply	max. 0.5 A DC (observe derating)

Electrical isolation/isolation of the voltage ranges

Test voltage: 7.5 V communications power, 24 V analog supply, 24 V bus coupler supply/functional ground	500 V AC, 50 Hz, 1 min
---	------------------------

## Connection data

Connection technology

Connection name	Inline connector
-----------------	------------------

Inline connector

Connection method	Spring-cage connection
Conductor cross-section, rigid	0.09 mm <sup>2</sup> ... 1.5 mm <sup>2</sup>
Conductor cross-section, flexible	0.09 mm <sup>2</sup> ... 1.5 mm <sup>2</sup>
Conductor cross-section AWG	28 ... 16
Stripping length	8 mm

## Environmental and real-life conditions

# IBS IL 24 BK RB LK-2MBD-PAC - Bus coupler



2862026

<https://www.phoenixcontact.com/us/products/2862026>

## Ambient conditions

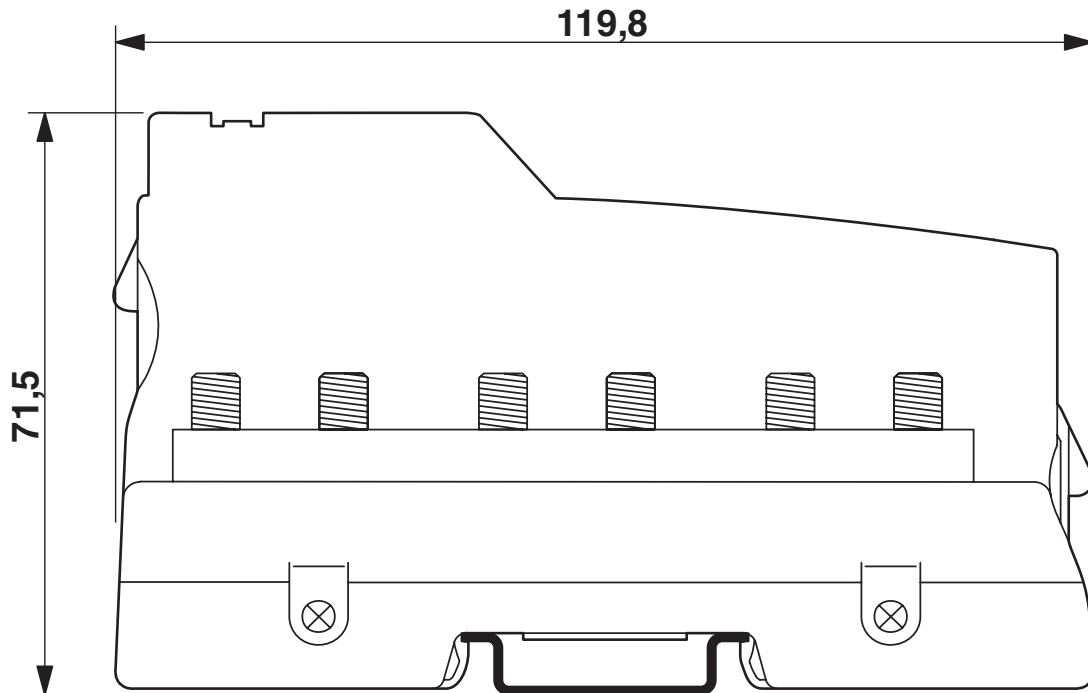
Ambient temperature (operation)	-25 °C ... 55 °C
Degree of protection	IP20
Air pressure (operation)	80 kPa ... 106 kPa (up to 3000 m above sea level)
Air pressure (storage/transport)	70 kPa ... 106 kPa (up to 3000 m above sea level)
Ambient temperature (storage/transport)	-25 °C ... 85 °C
Permissible humidity (operation)	75 % ... 85 %
Permissible humidity (storage/transport)	75 % ... 85 %

## Mounting

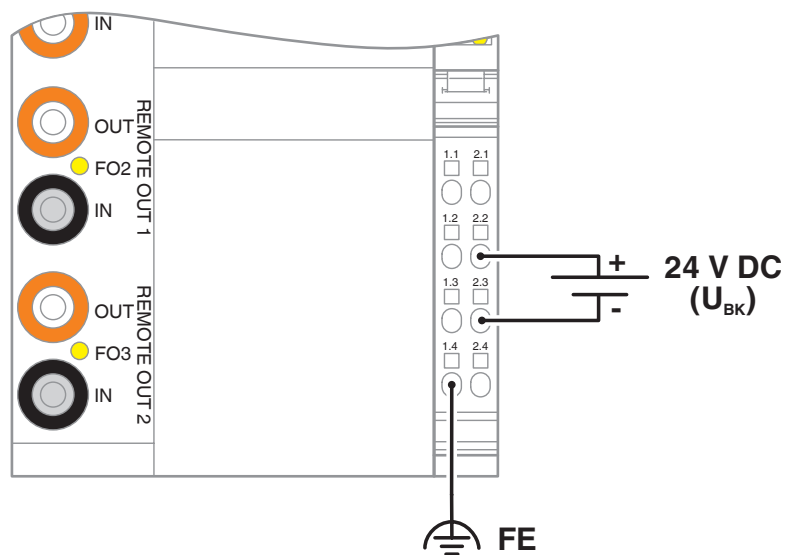
Mounting type	DIN rail mounting
---------------	-------------------

## Drawings

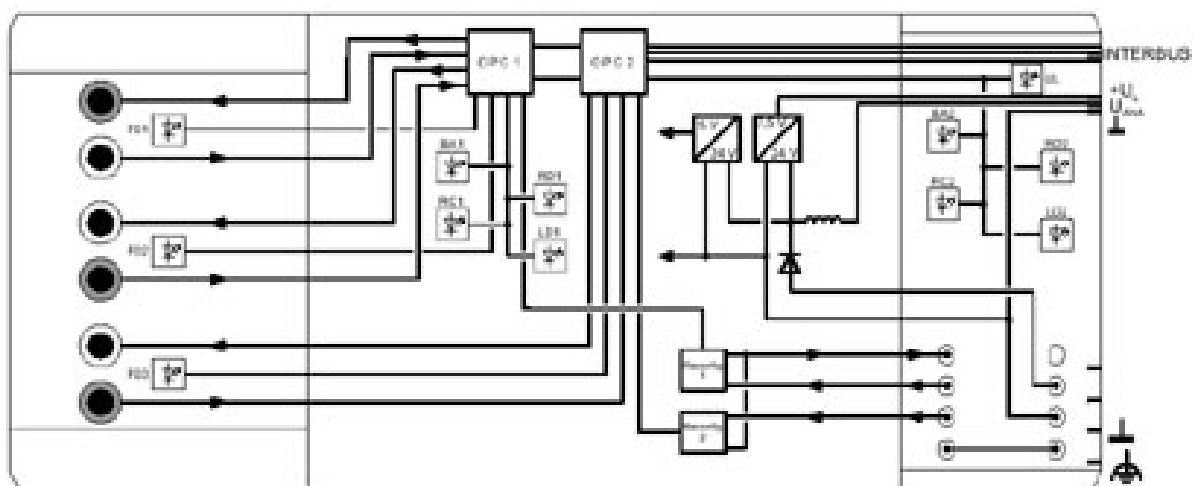
Dimensional drawing



Connection diagram



Block diagram



# IBS IL 24 BK RB LK-2MBD-PAC - Bus coupler



2862026

<https://www.phoenixcontact.com/us/products/2862026>

## Environmental product compliance

### China RoHS

Environment friendly use period (EFUP)	EFUP-E
	No hazardous substances above the limits

### EU REACH SVHC

REACH candidate substance (CAS No.)	No substance above 0.1 wt%
-------------------------------------	----------------------------

Phoenix Contact 2026 © - all rights reserved  
<https://www.phoenixcontact.com>

Phoenix Contact USA  
586 Fulling Mill Road  
Middletown, PA 17057, United States  
(+717) 944-1300  
[info@phoenixcon.com](mailto:info@phoenixcon.com)