

2861962

<https://www.phoenixcontact.com/us/products/2861962>

Please be informed that the data shown in this PDF document is generated from our online catalog. Please find the complete data in the user documentation. Our general terms of use for downloads are valid.



Inline, branch terminal, INTERBUS, Inline shield plug, with remote bus branch, transmission speed in the local bus: 2 Mbps, degree of protection: IP20, including Inline connector and marking field

Product description

Inline terminals with "2 MBD" added to their item designation work with a transmission speed of 2 Mbps. These terminal blocks are discontinued or no longer in the range. If you require this transmission speed, please ask your local Phoenix Contact representative. If you can work with a transmission speed of 500 kbps, select as a replacement the corresponding variant that does not have "2MBD" added to its item designation. Please note that a uniform transmission speed must always be used within one inline station.

Your advantages

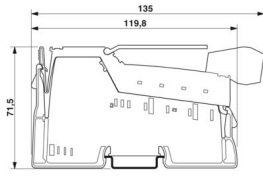
- Connections for a remote bus branch using copper technology

Commercial data

Item number	2861962
Packing unit	1 pc
Minimum order quantity	1 pc
Sales key	DR01
Product key	DRI152
GTIN	4017918974626
Weight per piece (including packing)	87.7 g
Weight per piece (excluding packing)	67 g
Customs tariff number	85389091
Country of origin	DE

Technical data

Dimensions

Dimensional drawing		
Width		12.2 mm
Height		135 mm
Depth		71.5 mm

Notes

Note on application

Note on application	Only for industrial use
---------------------	-------------------------

Material specifications

Color (Housing)	green (RAL 6021)
-----------------	------------------

Interfaces

INTERBUS

Connection method	Inline data jumper
Transmission speed	2 Mbps

INTERBUS

Connection method	Inline shield connector
Transmission speed	2 Mbps
Transmission physics	RS-485

Inline local bus

Connection method	Inline data jumper
Transmission speed	2 Mbps
Transmission physics	Copper

System properties

System limits

Number of local bus devices that can be connected	max. 63 (Consider the logic current consumed by the devices; the branch terminal does not count as an Inline station device.)
---	---

Programming data (LocalbusSlave)

Length code (hex)	0
ID code (dec.)	04
Length code (dec)	0

Process data channel	0 bit
Input address area	0 Byte
Output address area	0 Byte
Parameter channel (PCP)	0 Byte
Register length (bus)	0 bit

Fieldbus data telegram (PROFIBUS)

Required parameter data	0 Byte
Required configuration data	0 Byte

Product properties

Product type	I/O component
Product family	Inline
Type	modular
Scope of supply	including Inline connector and labeling field
Special properties	with remote bus branch

Insulation characteristics

Overvoltage category	II (IEC 60664-1, EN 60664-1)
Pollution degree	2 (IEC 60664-1, EN 60664-1)

Electrical properties

Maximum power dissipation for nominal condition	0.7 W
---	-------

Potentials: Supply of analog modules (U_{ANA})

Supply voltage	24 V DC (via voltage jumper)
Supply voltage range	19.2 V DC ... 30 V DC (including all tolerances, including ripple)
Current draw	typ. 29 mA

Electrical isolation/isolation of the voltage ranges

Test voltage: 5 V supply, incoming remote bus, electrically isolated from 5 V supply, outgoing remote bus	500 V AC, 50 Hz, 1 min
Test voltage: 5 V supply, incoming remote bus, electrically isolated from 7.5 V logics supply, 24 V analog supply, 24 V bus terminal module supply, 5 V logics supply branch terminal block	500 V AC, 50 Hz, 1 min
Test voltage: 5 V supply, incoming remote bus, electrically isolated from 24 V main supply, 24 V segment supply	500 V AC, 50 Hz, 1 min
Test voltage: 5 V supply incoming remote bus / functional ground	500 V AC, 50 Hz, 1 min
Test voltage: 5 V supply, outgoing remote bus, electrically isolated from 5 V supply, incoming remote bus	500 V AC, 50 Hz, 1 min
Test voltage: 5 V supply, outgoing remote bus, electrically isolated from 7.5 V logics supply, 24 V analog supply, 24 V bus terminal module supply, 5 V logics supply branch terminal block	500 V AC, 50 Hz, 1 min
Test voltage: 5 V supply, outgoing remote bus, electrically isolated from 24 V main supply, 24 V segment supply	500 V AC, 50 Hz, 1 min
Test voltage: 5 V supply outgoing remote bus, electrically isolated from functional ground	500 V AC, 50 Hz, 1 min
Test voltage: 7.5 V logics supply, 24 V analog supply, 24 V bus terminal module supply, 5 V logics supply branch terminal block,	500 V AC, 50 Hz, 1 min

IBS IL 24 RB-T-2MBD-PAC - Communication module



2861962

<https://www.phoenixcontact.com/us/products/2861962>

electrically isolated from 5 V supply incoming remote bus	
Test voltage: 7.5 V logics supply, 24 V analog supply, 24 V bus terminal module supply, 5 V logics supply branch terminal block, electrically isolated from 5 V supply outgoing remote bus	500 V AC, 50 Hz, 1 min
Test voltage: 7.5 V logics supply, 24 V analog supply, 24 V bus terminal module supply, 5 V logics supply branch terminal block, electrically isolated from 24 V main supply, 24 V segment supply	500 V AC, 50 Hz, 1 min
Test voltage: 7.5 V communications power, 24 V analog supply, 24 V bus terminal module supply, 5 V communications power, bus branch terminal electrically isolated from functional ground	500 V AC, 50 Hz, 1 min
Test voltage: 24 V main supply, 24 V segment supply, electrically isolated from 5 V supply, incoming remote bus	500 V AC, 50 Hz, 1 min
Test voltage: 24 V main supply, 24 V segment supply, electrically isolated from 5 V supply, outgoing remote bus	500 V AC, 50 Hz, 1 min
Test voltage: 24 V main supply, 24 V segment supply, electrically isolated from 7.5 V logics supply, 24 V analog supply, 24 V bus terminal module supply, 5 V logics supply branch terminal block	500 V AC, 50 Hz, 1 min
Test voltage: 24 V main supply, 24 V segment supply, electrically isolated from the functional ground	500 V AC, 50 Hz, 1 min

Connection data

Connection technology

Connection name	Inline connector
-----------------	------------------

Inline connector

Connection method	Spring-cage connection
Conductor cross-section, rigid	0.08 mm ² ... 1.5 mm ²
Conductor cross-section, flexible	0.08 mm ² ... 1.5 mm ²
Conductor cross-section AWG	28 ... 16
Stripping length	8 mm

Environmental and real-life conditions

Ambient conditions

Ambient temperature (operation)	-25 °C ... 55 °C
Degree of protection	IP20
Air pressure (operation)	70 kPa ... 106 kPa (up to 3000 m above sea level)
Air pressure (storage/transport)	70 kPa ... 106 kPa (up to 3000 m above sea level)
Ambient temperature (storage/transport)	-25 °C ... 85 °C
Permissible humidity (operation)	10 % ... 95 % (according to DIN EN 61131-2)
Permissible humidity (storage/transport)	10 % ... 95 % (according to DIN EN 61131-2)

Mechanical test

Vibration resistance in accordance with EN 60068-2-6/IEC 60068-2-6	5g
Shock in accordance with EN 60068-2-27/IEC 60068-2-27	25g

Standards and regulations

Protection class	III (IEC 61140, EN 61140, VDE 0140-1)
------------------	---------------------------------------

IBS IL 24 RB-T-2MBD-PAC - Communication module



2861962

<https://www.phoenixcontact.com/us/products/2861962>

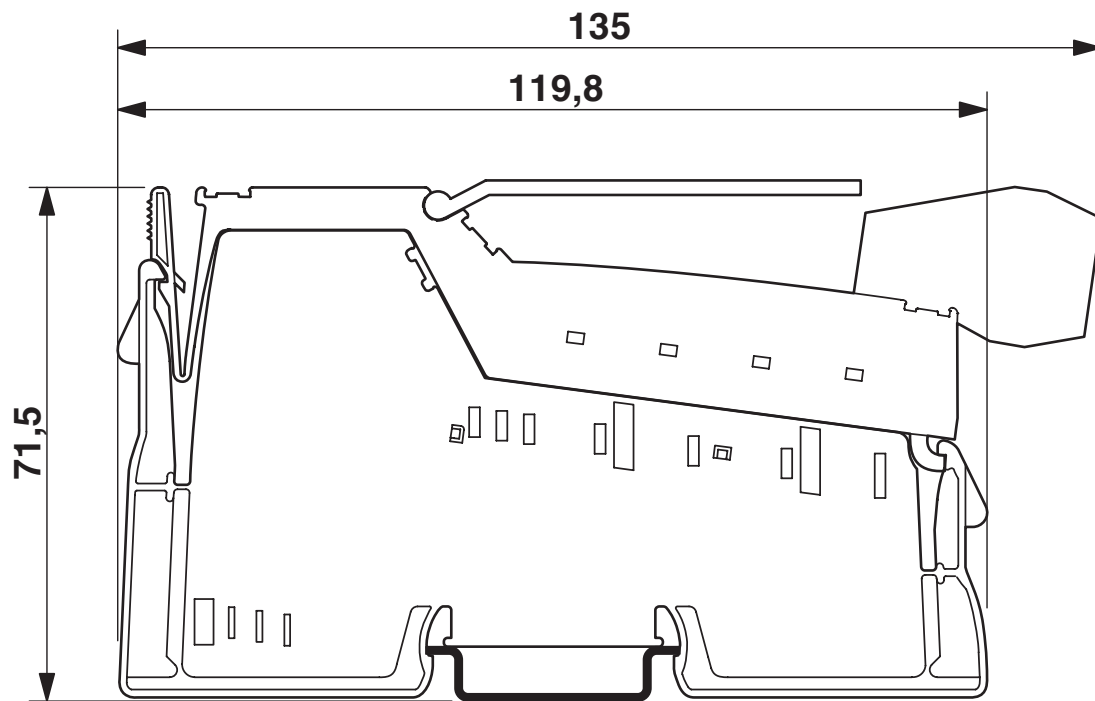
Mounting

Mounting type

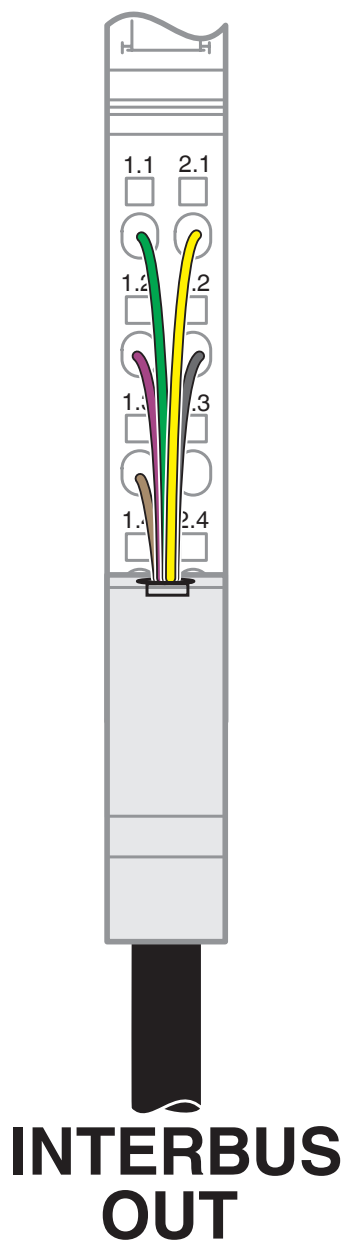
DIN rail mounting

Drawings

Dimensional drawing



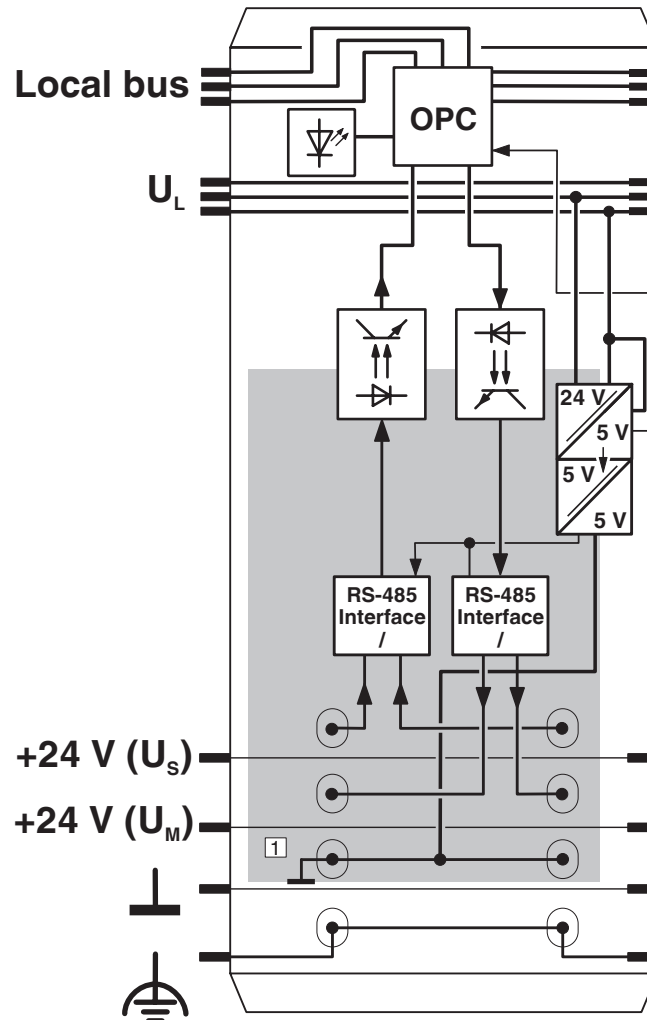
Connection diagram



2861962

<https://www.phoenixcontact.com/us/products/2861962>

Block diagram



Internal wiring of the terminal points

2861962

<https://www.phoenixcontact.com/us/products/2861962>

Approvals

To download certificates, visit the product detail page: <https://www.phoenixcontact.com/us/products/2861962>



cULus Listed

Approval ID: E140324

2861962

<https://www.phoenixcontact.com/us/products/2861962>

Classifications

ECLASS

ECLASS-13.0	27242608
ECLASS-15.0	27242608

ETIM

ETIM 10.0	EC001604
-----------	----------

UNSPSC

UNSPSC 21.0	32151600
-------------	----------

2861962

<https://www.phoenixcontact.com/us/products/2861962>

Environmental product compliance

EU RoHS

Fulfills EU RoHS substance requirements	Yes
Exemption	7(a), 7(c)-I

China RoHS

Environment friendly use period (EFUP)	EFUP-50
	An article-related China RoHS declaration table can be found in the download area for the respective article under "Manufacturer declaration". For all articles with EFUP-E, no China RoHS declaration table issued and required.

EU REACH SVHC

REACH candidate substance (CAS No.)	Lead(CAS: 7439-92-1)
SCIP	c70006f5-f652-42eb-8251-155625a60954

EF3.1 Climate Change

CO2e kg	2.621 kg CO2e
---------	---------------

Phoenix Contact 2026 © - all rights reserved
<https://www.phoenixcontact.com>

Phoenix Contact USA
 586 Fulling Mill Road
 Middletown, PA 17057, United States
 (+717) 944-1300
info@phoenixcon.com