

# IB IL 24 SEG/F-D-PAC - Segmentation module



2861904

<https://www.phoenixcontact.com/us/products/2861904>

Please be informed that the data shown in this PDF document is generated from our online catalog. Please find the complete data in the user documentation. Our general terms of use for downloads are valid.



Inline segment terminal block, complete with accessories (connector and labeling field), 24 V DC, with fuse and diagnostics

The figure shows the product version IB IL 24 SEG/F-PAC

## Product description

The terminal is designed for use within an Inline station. This terminal can be used to create a partial circuit (segment circuit) within a main circuit. The terminal is not used for voltage supply. It therefore does not have any elements for protection against polarity reversal and surge voltage. The terminal has an LED for bus diagnostics and occupies two input data bits, which are used to indicate the presence of the supply voltage and the state of the fuse.

## Your advantages

- Automatic creation of a segment circuit in the main circuit
- Segment circuit protected by an internal fuse
- Diagnostic and status indicators

## Commercial data

Item number	2861904
Packing unit	1 pc
Minimum order quantity	1 pc
Sales key	DR01
Product key	DRI122
GTIN	4017918894603
Weight per piece (including packing)	76.6 g
Weight per piece (excluding packing)	42 g
Customs tariff number	85389099
Country of origin	DE

# IB IL 24 SEG/F-D-PAC - Segmentation module



2861904

<https://www.phoenixcontact.com/us/products/2861904>

## Technical data

### Dimensions

Dimensional drawing	
Width	12.2 mm
Height	119.8 mm
Depth	71.5 mm

### Notes

#### Note on application

Note on application	Only for industrial use
---------------------	-------------------------

#### Utilization restriction

CCCex note	Use in potentially explosive areas is not permitted in China.
------------	---

### Material specifications

Color (Housing)	green (RAL 6021)
-----------------	------------------

### Interfaces

#### Inline local bus

Number of interfaces	2
Connection method	Inline data jumper
Transmission speed	500 kbps

### System properties

#### Programming data (LocalbusSlave)

Length code (hex)	C2
ID code (dec.)	190
Length code (dec)	194
Process data channel	2 bit
Input address area	2 bit
Output address area	0 bit
Parameter channel (PCP)	0 bit
Register length (bus)	2 bit

#### Fieldbus data telegram (PROFIBUS)

Required parameter data	1 Byte
-------------------------	--------

Required configuration data	4 Byte
-----------------------------	--------

## Product properties

Product type	I/O component
Product family	Inline
Type	modular
Installation location	Control cabinet
Number of plugs	1

## Insulation characteristics

Protection class	III (IEC 61140, EN 61140, VDE 0140-1)
Overvoltage category	II (IEC 60664-1, EN 60664-1)
Pollution degree	2 (IEC 60664-1, EN 60664-1)

## Electrical properties

Maximum power dissipation for nominal condition	0.8 W
Test section	7.5 V supply (bus logics)/24 V supply (I/O) 500 V AC 50 Hz 1 min
	24 V supply (I/O) / functional ground 500 V AC 50 Hz 1 min
	7.5 V supply (bus logic)/functional ground 500 V AC 50 Hz 1 min
Protective circuit	Overload protection; Fuse
Fuse	SI 5 x 20 6, 300 AT (in scope of delivery)

## Supply

I/O voltage	24 V DC
I/O voltage range	19.2 V DC ... 30 V DC
Residual ripple	± 1.2 V
Max. current consumption	4 A
Typical current consumption	30 mA

## Potentials: Communications power ( $U_L$ )

Supply voltage	7.5 V DC (via voltage jumper)
Current draw	max. 25 mA

## Potentials: Main circuit supply ( $U_M$ )

Supply voltage	24 V DC
Supply voltage range	19.2 V DC ... 30 V DC (including all tolerances, including ripple)
Current draw	max. 4 A (nominal value)

## Potentials: Segment circuit supply ( $U_S$ )

Supply voltage	24 V DC
Supply voltage range	19.2 V DC ... 30 V DC (including all tolerances, including ripple)
Power supply	max. 4 A (nominal value)

## Connection data

### Connection technology

Connection name	Inline connector
-----------------	------------------

# IB IL 24 SEG/F-D-PAC - Segmentation module



2861904

<https://www.phoenixcontact.com/us/products/2861904>

## Inline connector

Connection method	Spring-cage connection
Conductor cross-section, rigid	0.08 mm <sup>2</sup> ... 1.5 mm <sup>2</sup>
Conductor cross-section, flexible	0.08 mm <sup>2</sup> ... 1.5 mm <sup>2</sup>
Conductor cross-section AWG	28 ... 16
Stripping length	8 mm

## Environmental and real-life conditions

### Ambient conditions

Degree of protection	IP20
Ambient temperature (operation)	-25 °C ... 55 °C
Ambient temperature (storage/transport)	-25 °C ... 85 °C
Permissible humidity (operation)	75 % ... 85 % (in the range of -25°C ... +55°C, appropriate measures against increased humidity (> 85%) must be taken.)
Permissible humidity (storage/transport)	75 % ... 85 % (Slight temporary condensation may sometimes appear on the housing, e.g. when the terminal block is brought out of a vehicle into an enclosed room.)

### Mechanical test

Vibration resistance in accordance with EN 60068-2-6/IEC 60068-2-6	5g
Shock in accordance with EN 60068-2-27/IEC 60068-2-27	25g

## Standards and regulations

Protection class	III (IEC 61140, EN 61140, VDE 0140-1)
------------------	---------------------------------------

## Mounting

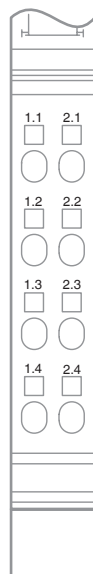
Mounting type	DIN rail mounting
---------------	-------------------

## Drawings

Dimensional drawing



Connection diagram



**$U_M$  and  $U_S$  connected internally via fuse**

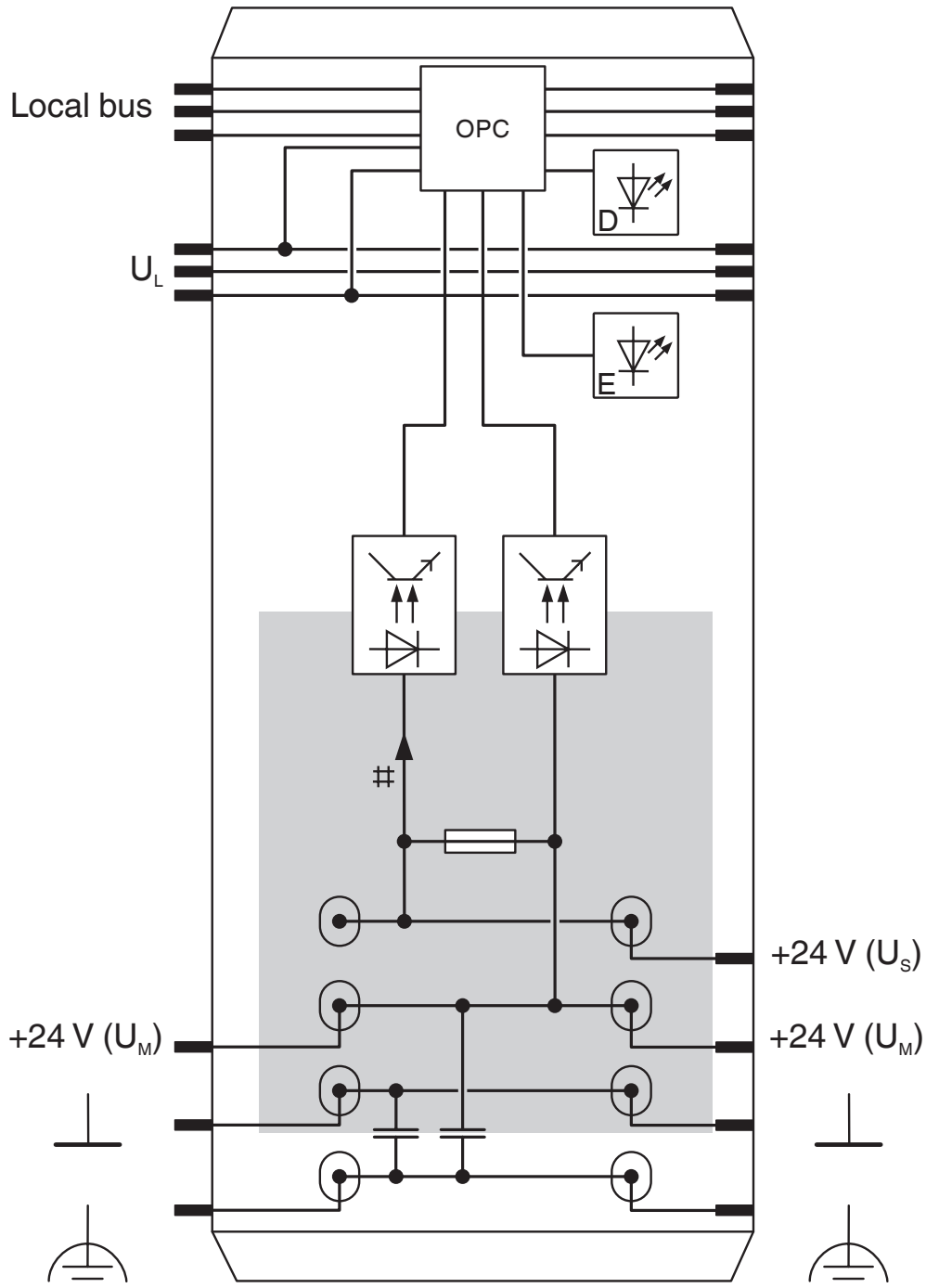
# IB IL 24 SEG/F-D-PAC - Segmentation module

2861904

<https://www.phoenixcontact.com/us/products/2861904>



Block diagram



# IB IL 24 SEG/F-D-PAC - Segmentation module



2861904

<https://www.phoenixcontact.com/us/products/2861904>

## Approvals

To download certificates, visit the product detail page: <https://www.phoenixcontact.com/us/products/2861904>



**cULus Recognized**

Approval ID: E140324



**cULus Listed**

Approval ID: E199827

2861904

<https://www.phoenixcontact.com/us/products/2861904>

## Classifications

### ECLASS

ECLASS-13.0	27242610
ECLASS-15.0	27242610

### ETIM

ETIM 10.0	EC001600
-----------	----------

### UNSPSC

UNSPSC 21.0	32151600
-------------	----------

2861904

<https://www.phoenixcontact.com/us/products/2861904>

## Environmental product compliance

### EU RoHS

Fulfills EU RoHS substance requirements	Yes
Exemption	7(a), 7(c)-I

### China RoHS

Environment friendly use period (EFUP)	EFUP-50
	An article-related China RoHS declaration table can be found in the download area for the respective article under "Manufacturer declaration". For all articles with EFUP-E, no China RoHS declaration table issued and required.

### EU REACH SVHC

REACH candidate substance (CAS No.)	Lead(CAS: 7439-92-1)
SCIP	5937758a-8b43-4de7-9c5e-c871c955d8a3

Phoenix Contact 2026 © - all rights reserved

<https://www.phoenixcontact.com>

Phoenix Contact USA  
586 Fulling Mill Road  
Middletown, PA 17057, United States  
(+717) 944-1300  
[info@phoenixcon.com](mailto:info@phoenixcon.com)