

IB IL 24 PWR IN/F-D-PAC - Inline terminal



2861894

<https://www.phoenixcontact.com/us/products/2861894>

Please be informed that the data shown in this PDF document is generated from our online catalog. Please find the complete data in the user documentation. Our general terms of use for downloads are valid.



Inline power terminal block, complete with accessories (connector and labeling field), 24 V DC, with fuse (Main voltage) and diagnostics

The figure shows the version IB IL 24 PWR IN-PAC

Your advantages

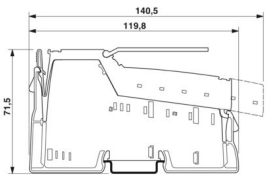
- Diagnostic and status indicators
- Feed-in or provision of the 24 V segment voltage U_{S}
- Supply of the 24 V main voltage U_{M}
- Main circuit protected by an internal fuse

Commercial data

Item number	2861894
Packing unit	1 pc
Note	Made to order (non-returnable)
Sales key	DR01
Product key	DRI121
GTIN	4017918894597
Weight per piece (including packing)	83.8 g
Weight per piece (excluding packing)	44 g
Customs tariff number	85389099
Country of origin	DE

Technical data

Dimensions

Dimensional drawing	
Width	12.2 mm
Height	119.8 mm
Depth	71.5 mm

Notes

Utilization restriction

CCCex note	Use in potentially explosive areas is not permitted in China.
------------	---

Interfaces

Inline local bus

Number of interfaces	2
Connection method	Inline data jumper
Transmission speed	500 kbps

Supply voltage

Connection method	8-pos. Inline power connector
-------------------	-------------------------------

System properties

Module

ID code (dec.)	190
ID code (hex)	BE
Length code (hex)	C2
Length code (dec)	194
Process data channel	2 bit
Input address area	2 bit
Output address area	0 Byte
Register length	2 bit
Required parameter data	1 Byte
Required configuration data	4 Byte

Product properties

Product type	I/O component
Product family	Inline

IB IL 24 PWR IN/F-D-PAC - Inline terminal



2861894

<https://www.phoenixcontact.com/us/products/2861894>

Type	modular
	Inline

Electrical properties

Test section	5 V supply, incoming remote bus/7.5 V supply (bus logics) 500 V AC 50 Hz 1 min
	5 V supply, outgoing remote bus/7.5 V supply (bus logics) 500 V AC 50 Hz 1 min
	7.5 V supply (bus logics)/24 V supply (I/O) 500 V AC 50 Hz 1 min
	24 V supply (I/O) / functional ground 500 V AC 50 Hz 1 min
Protective circuit	Polarity protection, surge protection

Supply

Communications power U_L	7.5 V DC
I/O voltage range	19.2 V DC ... 30 V DC (including all tolerances, including ripple)
Residual ripple	±5 %
Max. current consumption	4 A
Typical current consumption	30 mA

Potentials: Communications power (U_L)

Supply voltage	7.5 V DC (via voltage jumper)
Current draw	max. 25 mA

Potentials: Main circuit supply (U_M)

Supply voltage	24 V DC (via Inline connector)
Supply voltage range	19.2 V ... 30 V (including all tolerances, including ripple)
Power supply	max. 4 A (sum of $U_M + U_S$)

Potentials: Segment circuit supply (U_S)

Supply voltage	24 V DC (via Inline connector)
Supply voltage range	19.2 V DC ... 30 V DC (including all tolerances, including ripple)
Power supply	max. 4 A (sum of $U_M + U_S$)

Connection data

Connection technology

Connection name	Inline connector
-----------------	------------------

Inline connector

Connection method	Spring-cage connection
Conductor cross-section, rigid	0.08 mm ² ... 1.5 mm ²
Conductor cross-section, flexible	0.08 mm ² ... 1.5 mm ²
Conductor cross-section AWG	28 ... 16
Stripping length	8 mm

Environmental and real-life conditions

Ambient conditions

IB IL 24 PWR IN/F-D-PAC - Inline terminal



2861894

<https://www.phoenixcontact.com/us/products/2861894>

Degree of protection	IP20
Ambient temperature (operation)	-25 °C ... 55 °C
Ambient temperature (storage/transport)	-25 °C ... 85 °C
Permissible humidity (operation)	75 % ... 85 %
Permissible humidity (storage/transport)	75 % ... 85 %

Mounting

Mounting type	DIN rail mounting
---------------	-------------------

IB IL 24 PWR IN/F-D-PAC - Inline terminal

2861894

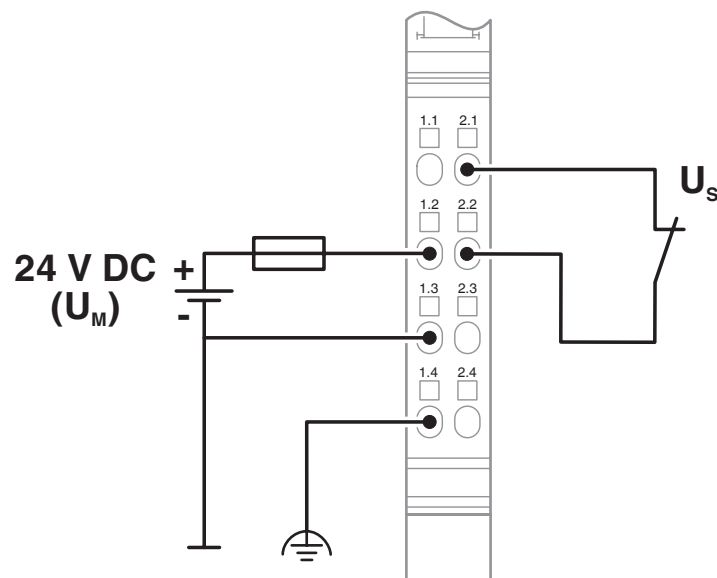
<https://www.phoenixcontact.com/us/products/2861894>

Drawings

Dimensional drawing



Connection diagram

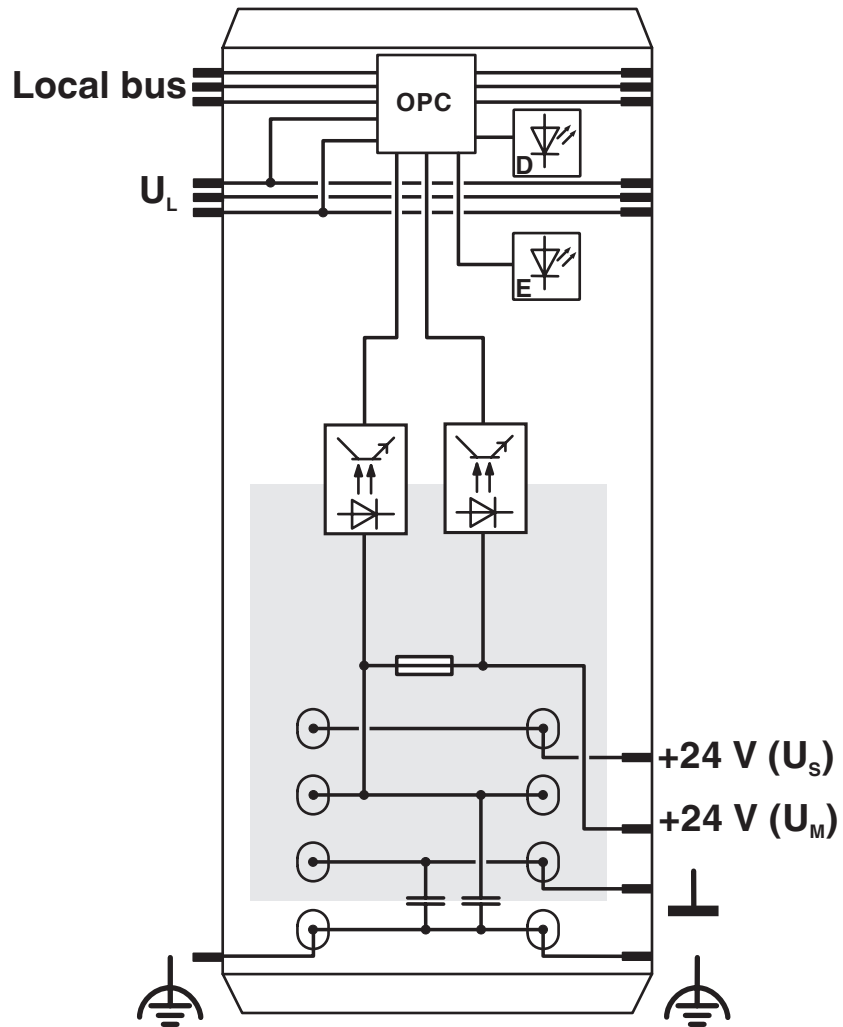


IB IL 24 PWR IN/F-D-PAC - Inline terminal

2861894

<https://www.phoenixcontact.com/us/products/2861894>

Block diagram



IB IL 24 PWR IN/F-D-PAC - Inline terminal



2861894

<https://www.phoenixcontact.com/us/products/2861894>

Classifications

UNSPSC

UNSPSC 21.0	32151602
-------------	----------

2861894

<https://www.phoenixcontact.com/us/products/2861894>

Environmental product compliance

EU RoHS

Fulfills EU RoHS substance requirements	Yes
Exemption	7(a), 7(c)-I

China RoHS

Environment friendly use period (EFUP)	EFUP-E
	No hazardous substances above the limits

EU REACH SVHC

REACH candidate substance (CAS No.)	Lead(CAS: 7439-92-1)
-------------------------------------	----------------------

Phoenix Contact 2026 © - all rights reserved

<https://www.phoenixcontact.com>

Phoenix Contact USA
586 Fulling Mill Road
Middletown, PA 17057, United States
(+717) 944-1300
info@phoenixcon.com