

# IB IL 24/230 DOR4/W-PAC - Relay module



2861878

<https://www.phoenixcontact.com/us/products/2861878>

Please be informed that the data shown in this PDF document is generated from our online catalog. Please find the complete data in the user documentation. Our general terms of use for downloads are valid.



Inline, Relay terminal, Relay outputs: 4 (floating), Changeover contact, 24 V DC, 230 V AC, for switching ohmic loads, transmission speed in the local bus: 500 kbps, degree of protection: IP20, including Inline connectors and marking fields

## Product description

The terminal is designed for use within an Inline station. The terminal has four floating relay changeover contacts. The terminal can be used in the PELV area and in the AC area. Observe the applicable regulations and safety notes when using the terminal in the AC area. Features - Safe isolation in accordance with EN 50178 - Floating connection for four actuators - Nominal current at the output: 3 A - Total current of the terminal: 4x 3 A = 12 A - Diagnostic and status indicators

## Your advantages

- Safe isolation
- Floating connections for 4 actuators
- Nominal current at the output: 3 A
- Total current of the terminal: 3 A
- Diagnostic and status indicators

## Commercial data

Item number	2861878
Packing unit	1 pc
Minimum order quantity	1 pc
Sales key	DR01
Product key	DRI133
GTIN	4017918894573
Weight per piece (including packing)	216.4 g
Weight per piece (excluding packing)	138 g
Customs tariff number	85389099
Country of origin	DE

# IB IL 24/230 DOR4/W-PAC - Relay module

2861878

<https://www.phoenixcontact.com/us/products/2861878>

## Technical data

### Dimensions

Dimensional drawing	
Width	48.8 mm
Height	119.8 mm
Depth	71.5 mm
Note on dimensions	Housing dimensions

### Notes

#### Note on application

Note on application	Only for industrial use
---------------------	-------------------------

### Material specifications

Color (Housing)	gray (RAL 7042)
-----------------	-----------------

### Interfaces

#### Inline local bus

Number of interfaces	2
Connection method	Inline data jumper
Transmission speed	500 kbps

### System properties

#### Programming data (LocalbusSlave)

Length code (hex)	41
ID code (dec.)	189
Length code (dec)	65
Process data channel	4 bit
Input address area	0 Byte
Output address area	4 bit
Parameter channel (PCP)	0 bit
Register length (bus)	4 bit

#### Fieldbus data telegram (PROFIBUS)

Required parameter data	3 Byte
Required configuration data	4 Byte

# IB IL 24/230 DOR4/W-PAC - Relay module



2861878

<https://www.phoenixcontact.com/us/products/2861878>

## Output data

### Relay

Number of outputs	4 (floating)
Connection method	Spring-cage connection
Contact switching type	Changeover contact
Switching voltage	min. 5 V DC max. 250 V DC

## Product properties

Product type	I/O component
Product family	Inline
Type	modular
Installation location	Control cabinet
Scope of supply	including Inline connectors and marking fields
No. of channels	4
Special properties	for switching ohmic loads

### Insulation characteristics

Overvoltage category	III (IEC 60664-1, EN 60664-1)
Pollution degree	2 (IEC 60664-1, EN 60664-1)

## Electrical properties

Maximum power dissipation for nominal condition	2.85 W
-------------------------------------------------	--------

### Potentials: Communications power ( $U_L$ )

Supply voltage	7.5 V DC (via voltage jumper)
Current draw	max. 187 mA

### Electrical isolation/isolation of the voltage ranges

Test voltage: Relay contact / Bus logics	4 kV, 50 Hz, 1 min
Test voltage: Contact/contact	1 kV, 50 Hz, 1 min
Test voltage: Contact / PE	1 kV, 50 Hz, 1 min

## Connection data

### Connection technology

Connection name	Inline connector
-----------------	------------------

### Inline connector

Connection method	Spring-cage connection
Conductor cross-section, rigid	0.08 mm <sup>2</sup> ... 1.5 mm <sup>2</sup>
Conductor cross-section, flexible	0.08 mm <sup>2</sup> ... 1.5 mm <sup>2</sup>
Conductor cross-section AWG	28 ... 16
Stripping length	8 mm

## Environmental and real-life conditions

# IB IL 24/230 DOR4/W-PAC - Relay module



2861878

<https://www.phoenixcontact.com/us/products/2861878>

## Ambient conditions

Ambient temperature (operation)	-25 °C ... 55 °C
Degree of protection	IP20
Air pressure (operation)	70 kPa ... 106 kPa (up to 3000 m above sea level)
Air pressure (storage/transport)	70 kPa ... 106 kPa (up to 3000 m above sea level)
Ambient temperature (storage/transport)	-25 °C ... 85 °C
Permissible humidity (operation)	10 % ... 95 % (non-condensing)
Permissible humidity (storage/transport)	10 % ... 95 % (non-condensing)

## Mechanical test

Vibration resistance in accordance with EN 60068-2-6/IEC 60068-2-6	2g
Shock in accordance with EN 60068-2-27/IEC 60068-2-27	25g

## Standards and regulations

Protection class	I (IEC 61140, EN 61140, VDE 0140-1)
------------------	-------------------------------------

## Mounting

Mounting type	DIN rail mounting
---------------	-------------------

# IB IL 24/230 DOR4/W-PAC - Relay module



2861878

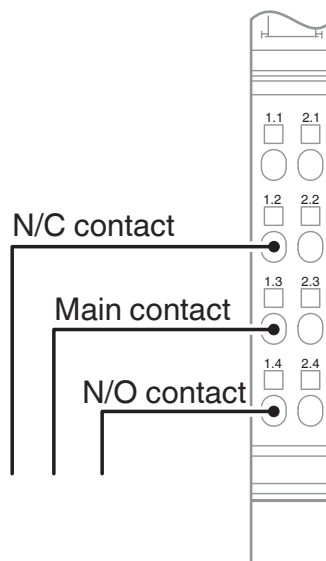
<https://www.phoenixcontact.com/us/products/2861878>

## Drawings

Dimensional drawing



Connection diagram



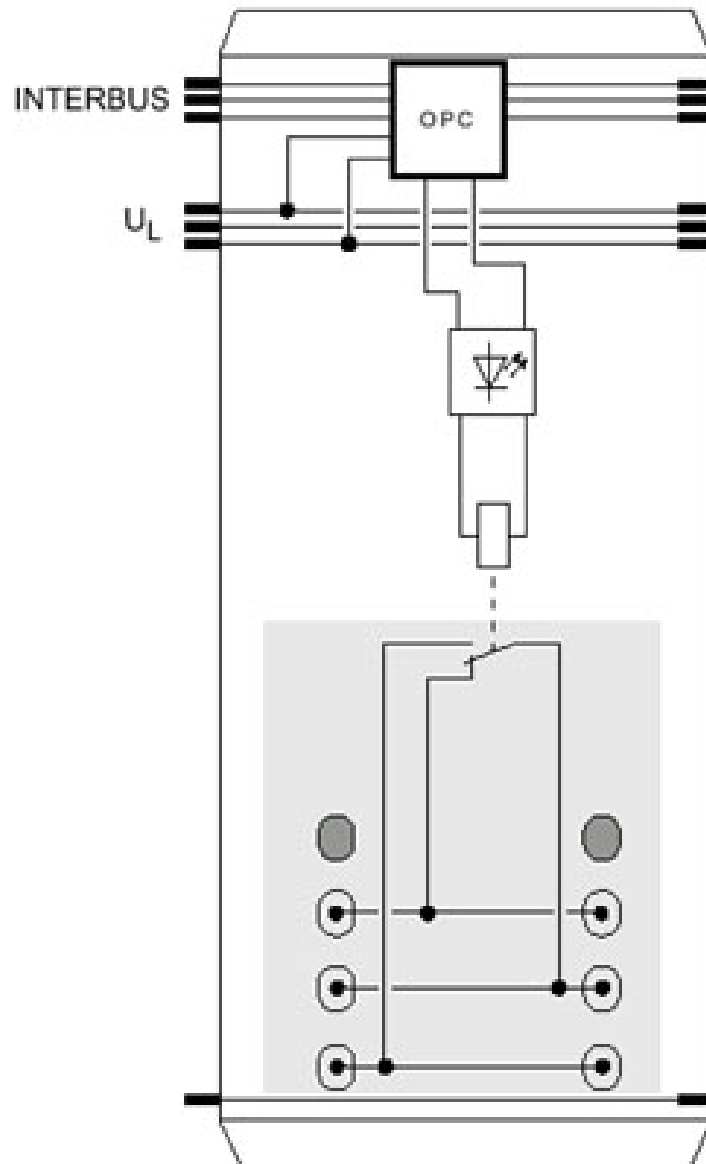
# IB IL 24/230 DOR4/W-PAC - Relay module

2861878

<https://www.phoenixcontact.com/us/products/2861878>



Block diagram



# IB IL 24/230 DOR4/W-PAC - Relay module



2861878

<https://www.phoenixcontact.com/us/products/2861878>

## Approvals

To download certificates, visit the product detail page: <https://www.phoenixcontact.com/us/products/2861878>



**DNV GL**

Approval ID: TAA00000BN



**LR**

Approval ID: LR23398855TA



**BV**

Approval ID: 21725/C1 BV

**BSH**

Approval ID: 658a



**RINA**

Approval ID: ELE121121XG

**ABS**

Approval ID: 22-2226444-PDA



**cULus Recognized**

Approval ID: E140324

# IB IL 24/230 DOR4/W-PAC - Relay module



2861878

<https://www.phoenixcontact.com/us/products/2861878>

## Classifications

### ECLASS

ECLASS-13.0	27242604
ECLASS-15.0	27242604

### ETIM

ETIM 10.0	EC001599
-----------	----------

### UNSPSC

UNSPSC 21.0	32151600
-------------	----------

2861878

<https://www.phoenixcontact.com/us/products/2861878>

## Environmental product compliance

### EU RoHS

Fulfills EU RoHS substance requirements	Yes
Exemption	7(a), 7(c)-I

### China RoHS

Environment friendly use period (EFUP)	EFUP-50
	An article-related China RoHS declaration table can be found in the download area for the respective article under "Manufacturer declaration". For all articles with EFUP-E, no China RoHS declaration table issued and required.

### EU REACH SVHC

REACH candidate substance (CAS No.)	Lead(CAS: 7439-92-1)
SCIP	aa33a80b-10d2-497c-9332-4cda31e84913

### EF3.1 Climate Change

CO2e kg	2.626 kg CO2e
---------	---------------

Phoenix Contact 2026 © - all rights reserved  
<https://www.phoenixcontact.com>

Phoenix Contact USA  
586 Fulling Mill Road  
Middletown, PA 17057, United States  
(+717) 944-1300  
[info@phoenixcon.com](mailto:info@phoenixcon.com)