

# IB IL 24 PWR IN/R-PAC - Feed-in module



2861674

<https://www.phoenixcontact.com/us/products/2861674>

Please be informed that the data shown in this PDF document is generated from our online catalog. Please find the complete data in the user documentation. Our general terms of use for downloads are valid.



Inline power terminal or boost terminal, complete with accessories (connector and labeling field), 24 V DC, without fuse

## Product description

The terminal is designed for use within an Inline station. If the maximum load of the bus coupler for the communications power ( $U_L$ ) or the supply voltage for the analog terminals ( $U_{ANA}$ ) is reached, this terminal can be used to provide these voltages again. To do this, apply a 24 V DC voltage ( $U_{24V}$ ) to the terminal. The communications power ( $U_L$ ) and the supply voltage for the analog terminals ( $U_{ANA}$ ) are generated from this voltage. In addition, the terminal enables the feed-in of the 24 V DC main voltage ( $U_M$ ) and the 24 V DC segment voltage ( $U_S$ ).

## Your advantages

- Supply of all 24 V voltages required for the low-level signal of an Inline station

## Commercial data

Item number	2861674
Packing unit	1 pc
Minimum order quantity	1 pc
Sales key	DR01
Product key	DRI123
GTIN	4017918894511
Weight per piece (including packing)	225.9 g
Weight per piece (excluding packing)	192 g
Customs tariff number	85389099
Country of origin	DE

# IB IL 24 PWR IN/R-PAC - Feed-in module

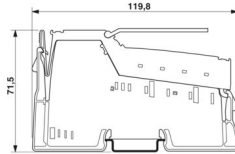


2861674

<https://www.phoenixcontact.com/us/products/2861674>

## Technical data

### Dimensions

Dimensional drawing	
Width	48.8 mm
Height	119.8 mm
Depth	71.5 mm

### Notes

#### Note on application

Note on application	Only for industrial use
---------------------	-------------------------

#### Utilization restriction

CCCex note	Use in potentially explosive areas is not permitted in China.
------------	---

### Material specifications

Color (Housing)	green (RAL 6021)
-----------------	------------------

### Interfaces

#### Inline local bus

Number of interfaces	2
Connection method	Inline data jumper
Transmission speed	500 kbps / 2 Mbps (Can be used in Inline stations with these transmission speeds)

### System properties

#### Programming data (LocalbusSlave)

ID code (dec.)	none
Register length (bus)	0 bit

#### Fieldbus data telegram (PROFIBUS)

Required parameter data	0 Byte
Required configuration data	0 Byte

### Product properties

Product type	I/O component
Product family	Inline
Type	modular

# IB IL 24 PWR IN/R-PAC - Feed-in module



2861674

<https://www.phoenixcontact.com/us/products/2861674>

Installation location	Control cabinet
Number of plugs	4
Special properties	24 V DC
	Supply/boost $U_M$ , $U_S$ , $U_L$ , $U_{ANA}$

## Insulation characteristics

Protection class	III (IEC 61140, EN 61140, VDE 0140-1)
Overvoltage category	II (IEC 60664-1, EN 60664-1)
Pollution degree	2 (IEC 60664-1, EN 60664-1)

## Electrical properties

Maximum power dissipation for nominal condition	3 W
Test section	7.5 V communications power, 24 V analog supply/functional ground 500 V AC 50 Hz 1 min
	7.5 V logics supply, 24 V analog supply / 24 V main supply, 24 V segment supply 500 V AC 50 Hz 1 min
	24 V main supply, 24 V segment supply/functional ground 500 V AC 50 Hz 1 min
Protective circuit	Surge protection (segment supply, main supply, 24 V supply); Input protective diodes (can be destroyed by permanent overload)Pulse loads up to 1500 W are short circuited by the input protective diode.
	Protection against polarity reversal (segment supply/main supply); Parallel diodes for protection against polarity reversal; in the event of an error the high current flowing through the diodes causes the fuse connected upstream to blow.
	Polarity reversal (24 V supply); Serial diode in the lead path of the power supply unit; in the event of an error only a low current flows. In the event of an error, no fuse trips within the external power supply unit.
Fuse	electrical/thermal overload protection, included in scope of delivery

## Supply

I/O voltage	24 V DC
I/O voltage range	19.2 V DC ... 30 V DC (including all tolerances, including ripple)
Residual ripple	$\pm 1.2$ V
Max. current consumption	8 A

## Potentials: 24 V supply ( $U_{24V}$ ) for generating $U_L$ and $U_{ANA}$

Supply voltage	24 V DC (via Inline connector)
Supply voltage range	19.2 V DC ... 30 V DC (including all tolerances, including ripple)
Current draw	max. 1.25 A DC (at nominal voltage; consisting of: 0.75 A DC for the communications power and 0.5 A DC for the analog voltage supply)
	min. 12 mA DC (at nominal voltage)

## Potentials: Communications power ( $U_L$ )

Supply voltage	7.5 V DC (via voltage jumper)
Power supply	max. 2 A DC

# IB IL 24 PWR IN/R-PAC - Feed-in module



2861674

<https://www.phoenixcontact.com/us/products/2861674>

## Potentials: Supply of analog modules ( $U_{ANA}$ )

Supply voltage	24 V DC
Supply voltage range	19.2 V DC ... 30 V DC (including all tolerances, including ripple)
Power supply	max. 0.5 A DC

## Potentials: Main circuit supply ( $U_M$ )

Supply voltage	24 V DC (via Inline connector)
Supply voltage range	19.2 V DC ... 30 V DC (including all tolerances, including ripple)
Power supply	max. 8 A (sum of $U_M + U_S$ )

## Potentials: Segment circuit supply ( $U_S$ )

Supply voltage	24 V DC (via Inline connector)
Supply voltage range	19.2 V DC ... 30 V DC (including all tolerances, including ripple)
Power supply	max. 8 A DC (sum of $U_M + U_S$ )

## Connection data

### Connection technology

Connection name	Inline connector
-----------------	------------------

### Inline connector

Connection method	Spring-cage connection
Conductor cross-section, rigid	0.08 mm <sup>2</sup> ... 1.5 mm <sup>2</sup>
Conductor cross-section, flexible	0.08 mm <sup>2</sup> ... 1.5 mm <sup>2</sup>
Conductor cross-section AWG	28 ... 16
Stripping length	8 mm

## Environmental and real-life conditions

### Ambient conditions

Degree of protection	IP20
Ambient temperature (operation)	-25 °C ... 55 °C
Ambient temperature (storage/transport)	-25 °C ... 85 °C
Permissible humidity (operation)	10 % ... 95 % (non-condensing)
Permissible humidity (storage/transport)	10 % ... 95 % (non-condensing)
Air pressure (operation)	70 kPa ... 106 kPa (up to 3000 m above sea level)
Air pressure (storage/transport)	70 kPa ... 106 kPa (up to 3000 m above sea level)

### Mechanical test

Vibration resistance in accordance with EN 60068-2-6/IEC 60068-2-6	5g
Shock in accordance with EN 60068-2-27/IEC 60068-2-27	25g

## Standards and regulations

Protection class	III (IEC 61140, EN 61140, VDE 0140-1)
------------------	---------------------------------------

## Mounting

# IB IL 24 PWR IN/R-PAC - Feed-in module



2861674

<https://www.phoenixcontact.com/us/products/2861674>

Mounting type	DIN rail mounting
---------------	-------------------

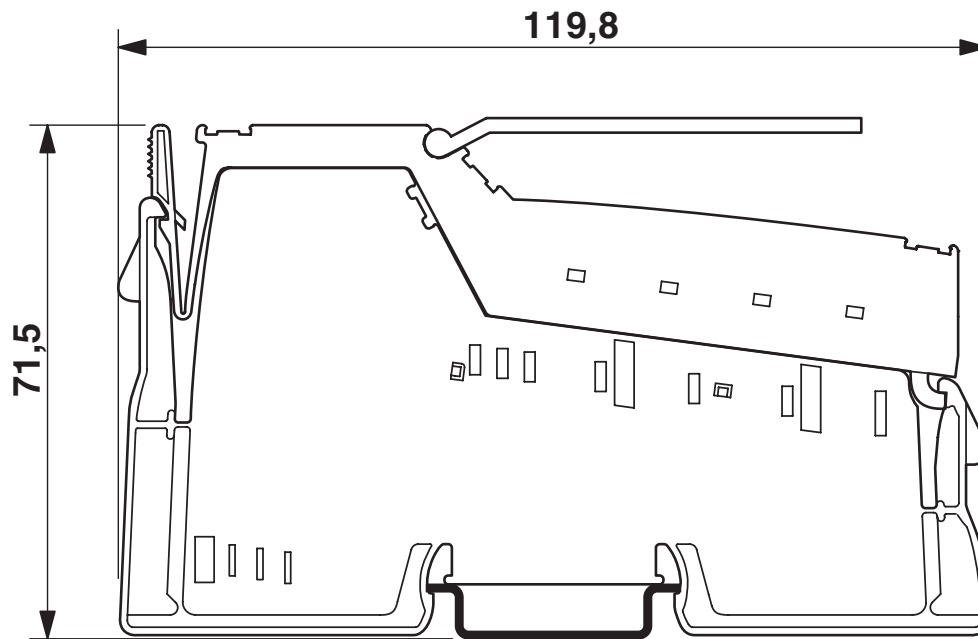
# IB IL 24 PWR IN/R-PAC - Feed-in module

2861674

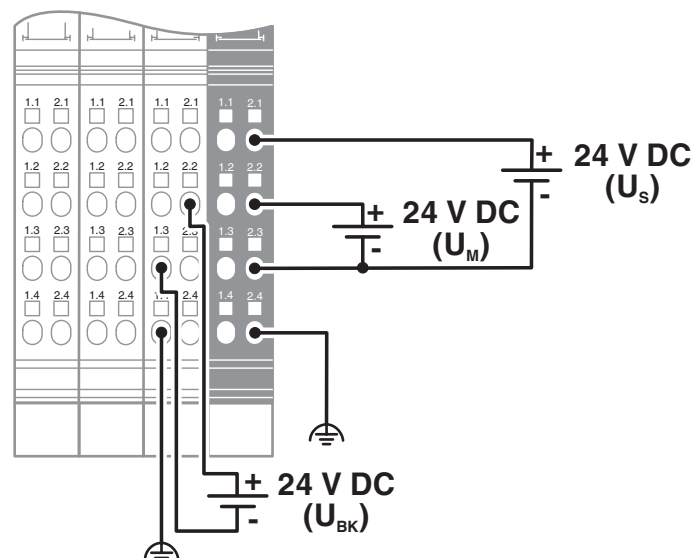
<https://www.phoenixcontact.com/us/products/2861674>

## Drawings

Dimensional drawing



Connection diagram



# IB IL 24 PWR IN/R-PAC - Feed-in module



2861674

<https://www.phoenixcontact.com/us/products/2861674>

## Approvals

To download certificates, visit the product detail page: <https://www.phoenixcontact.com/us/products/2861674>



**DNV GL**

Approval ID: TAA00000BN



**BV**

Approval ID: 21725/C1 BV



**RINA**

Approval ID: ELE121121XG

**ABS**

Approval ID: 22-2226444-PDA



**cULus Recognized**

Approval ID: E140324



**LR**

Approval ID: LR23398855TA

# IB IL 24 PWR IN/R-PAC - Feed-in module



2861674

<https://www.phoenixcontact.com/us/products/2861674>

## Classifications

### ECLASS

ECLASS-13.0	27242610
ECLASS-15.0	27242610

### ETIM

ETIM 10.0	EC001600
-----------	----------

### UNSPSC

UNSPSC 21.0	32151600
-------------	----------

2861674

<https://www.phoenixcontact.com/us/products/2861674>

## Environmental product compliance

### EU RoHS

Fulfills EU RoHS substance requirements	Yes
Exemption	7(a), 7(c)-I

### China RoHS

Environment friendly use period (EFUP)	EFUP-50
	An article-related China RoHS declaration table can be found in the download area for the respective article under "Manufacturer declaration". For all articles with EFUP-E, no China RoHS declaration table issued and required.

### EU REACH SVHC

REACH candidate substance (CAS No.)	Lead(CAS: 7439-92-1)
SCIP	fcda40d1-1459-42b5-ada0-c9c638aad062

Phoenix Contact 2026 © - all rights reserved

<https://www.phoenixcontact.com>

Phoenix Contact USA  
586 Fulling Mill Road  
Middletown, PA 17057, United States  
(+717) 944-1300  
[info@phoenixcon.com](mailto:info@phoenixcon.com)