

IBS IL 24 BK-T/U-PAC - Bus coupler



2861580

<https://www.phoenixcontact.com/us/products/2861580>

Please be informed that the data shown in this PDF document is generated from our online catalog. Please find the complete data in the user documentation. Our general terms of use for downloads are valid.



Inline, Bus coupler, INTERBUS, Inline shield connector, transmission speed in the local bus: 500 kbps, degree of protection: IP20, including Inline connectors and marking fields

Product description

The bus coupler connects an Inline station to the INTERBUS remote bus and provides the supply voltages for the connected devices.

Your advantages

- Remote bus connections using copper technology
- An Inline station can be supplied with all of the required 24 V voltages for low-level signals
- Automatic configuration of the outgoing interface as a remote bus or local bus interface
- Up to 15 connected terminals with remote bus branch supported
- Electrical isolation of the remote bus segments

Commercial data

Item number	2861580
Packing unit	1 pc
Minimum order quantity	1 pc
Sales key	DR01
Product key	DRI111
GTIN	4017918894436
Weight per piece (including packing)	265.1 g
Weight per piece (excluding packing)	214 g
Customs tariff number	85389099
Country of origin	DE

IBS IL 24 BK-T/U-PAC - Bus coupler

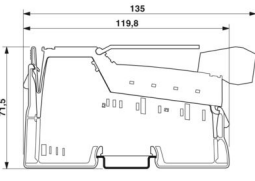


2861580

<https://www.phoenixcontact.com/us/products/2861580>

Technical data

Dimensions

Dimensional drawing	
Width	48.8 mm
Height	135 mm
Depth	71.5 mm

Notes

Note on application

Note on application	Only for industrial use
---------------------	-------------------------

Utilization restriction

CCCex note	Use in potentially explosive areas is not permitted in China.
------------	---

Material specifications

Color (Housing)	green (RAL 6021)
-----------------	------------------

Interfaces

INTERBUS

Number of interfaces	2
Connection method	Inline shield connector
Transmission speed	500 kbps
Transmission physics	Copper

Remote bus branch / Inline local bus

Number of interfaces	1
Connection method	Inline data jumper
Transmission speed	500 kbps

System properties

System limits

Number of supported devices	max. 63
Number of local bus devices that can be connected	max. 63
Number of devices with parameter channel	max. 62
Number of supported branch terminals with remote bus branch	max. 15

Programming data

IBS IL 24 BK-T/U-PAC - Bus coupler



2861580

<https://www.phoenixcontact.com/us/products/2861580>

Length code (hex)	00
ID code (dec.)	04
Length code (dec)	00
Process data channel	0 bit
Input address area	0 bit
Output address area	0 bit
Parameter channel (PCP)	0 bit
Register length (bus)	0 bit
Register length (master)	1024 Byte

Product properties

Product type	I/O component
Product family	Inline
Type	modular
Scope of supply	including Inline connectors and marking fields
Diagnostics messages	I/O error yes, if the segment voltage U_S is not present

Insulation characteristics

Overvoltage category	II (IEC 60664-1, EN 60664-1)
Pollution degree	2 (IEC 60664-1, EN 60664-1)

Electrical properties

Maximum power dissipation for nominal condition	3 W
Protective circuit	Short-circuit protection of the communications power; electronic
	Short-circuit protection of the analog supply; electronic
	Surge protection (segment supply, main supply, bus coupler supply); Input protective diodes (can be destroyed by permanent overload)Pulse loads up to 1500 W are short circuited by the input protective diode.
	Protection against polarity reversal (segment supply/main supply); Parallel diodes for protection against polarity reversal; in the event of an error the high current flowing through the diodes causes the fuse connected upstream to blow.
	Protection against polarity reversal (bus coupler supply); Serial diode in the lead path of the power supply unit; in the event of an error only a low current flows. In the event of an error, no fuse trips within the external power supply unit.

Potentials: Bus coupler supply U_{BK} ; Communications power U_L (7.5 V) and the analog supply U_{ANA} (24 V) are generated from the bus coupler supply.

Supply voltage	24 V DC (via Inline connector)
Supply voltage range	19.2 V DC ... 30 V DC (including all tolerances, including ripple)
Current draw	max. 1.25 A (with max. number of connected I/O terminal blocks)
	typ. 100 mA (without connected I/O terminal blocks)

Potentials: Communications power (U_L)

Supply voltage	7.5 V DC
Power supply	max. 2 A DC (observe derating)

IBS IL 24 BK-T/U-PAC - Bus coupler



2861580

<https://www.phoenixcontact.com/us/products/2861580>

Potentials: Supply of analog modules (U_{ANA})

Supply voltage	24 V DC
Supply voltage range	19.2 V DC ... 30 V DC (including all tolerances, including ripple)
Power supply	max. 0.5 A DC (observe derating)

Potentials: Main circuit supply (U_M)

Supply voltage	24 V DC (via Inline connector)
Supply voltage range	19.2 V DC ... 30 V DC (including all tolerances, including ripple)
Power supply	max. 8 A DC (sum of $U_M + U_S$)

Potentials: Segment circuit supply (U_S)

Supply voltage	24 V DC (via Inline connector)
Supply voltage range	19.2 V DC ... 30 V DC (including all tolerances, including ripple)
Power supply	max. 8 A DC (sum of $U_M + U_S$)

Electrical isolation/isolation of the voltage ranges

Test voltage: 5 V supply, incoming remote bus / 5 V supply outgoing remote bus	500 V AC, 50 Hz, 1 min
Test voltage: 5 V supply incoming remote bus / 7.5 V communications power, 24 V analog supply, 24 V bus coupler supply	500 V AC, 50 Hz, 1 min
Test voltage: 5 V supply, incoming remote bus / 24 V main supply, 24 V segment supply	500 V AC, 50 Hz, 1 min
Test voltage: 5 V supply incoming remote bus / functional ground	500 V AC, 50 Hz, 1 min
Test voltage: 5 V supply outgoing remote bus / I/O (U_M, U_S)	500 V AC, 50 Hz, 1 min
Test voltage: 5 V supply outgoing remote bus / communications power (U_{BK}, U_L, U_{ANA})	500 V AC, 50 Hz, 1 min
Test voltage: 5 V supply outgoing remote bus / functional ground	500 V AC, 50 Hz, 1 min
Test voltage: Communications power (U_{BK}, U_L, U_{ANA}) / functional ground	500 V AC, 50 Hz, 1 min
Test voltage: Communications power (U_{BK}, U_L, U_{ANA}) / I/O (U_M, U_S)	500 V AC, 50 Hz, 1 min
Test voltage: I/O (U_M, U_S) / functional ground	500 V AC, 50 Hz, 1 min

Connection data

Connection technology

Connection name	Inline connector
-----------------	------------------

Inline connector

Connection method	Spring-cage connection
Conductor cross-section, rigid	0.08 mm ² ... 1.5 mm ²
Conductor cross-section, flexible	0.08 mm ² ... 1.5 mm ²
Conductor cross-section AWG	28 ... 16
Stripping length	8 mm

Environmental and real-life conditions

Ambient conditions

IBS IL 24 BK-T/U-PAC - Bus coupler



2861580

<https://www.phoenixcontact.com/us/products/2861580>

Ambient temperature (operation)	-25 °C ... 55 °C
Degree of protection	IP20
Air pressure (operation)	70 kPa ... 106 kPa (up to 3000 m above sea level)
Air pressure (storage/transport)	70 kPa ... 106 kPa (up to 3000 m above sea level)
Ambient temperature (storage/transport)	-25 °C ... 85 °C
Permissible humidity (operation)	10 % ... 95 % (non-condensing)
Permissible humidity (storage/transport)	10 % ... 95 % (non-condensing)

Mechanical test

Vibration resistance in accordance with EN 60068-2-6/IEC 60068-2-6	5g
Shock in accordance with EN 60068-2-27/IEC 60068-2-27	Operation: 25g, 11 ms duration, semi-sinusoidal shock impulse

Standards and regulations

Protection class	III (IEC 61140, EN 61140, VDE 0140-1)
------------------	---------------------------------------

Mounting

Mounting type	DIN rail mounting
---------------	-------------------

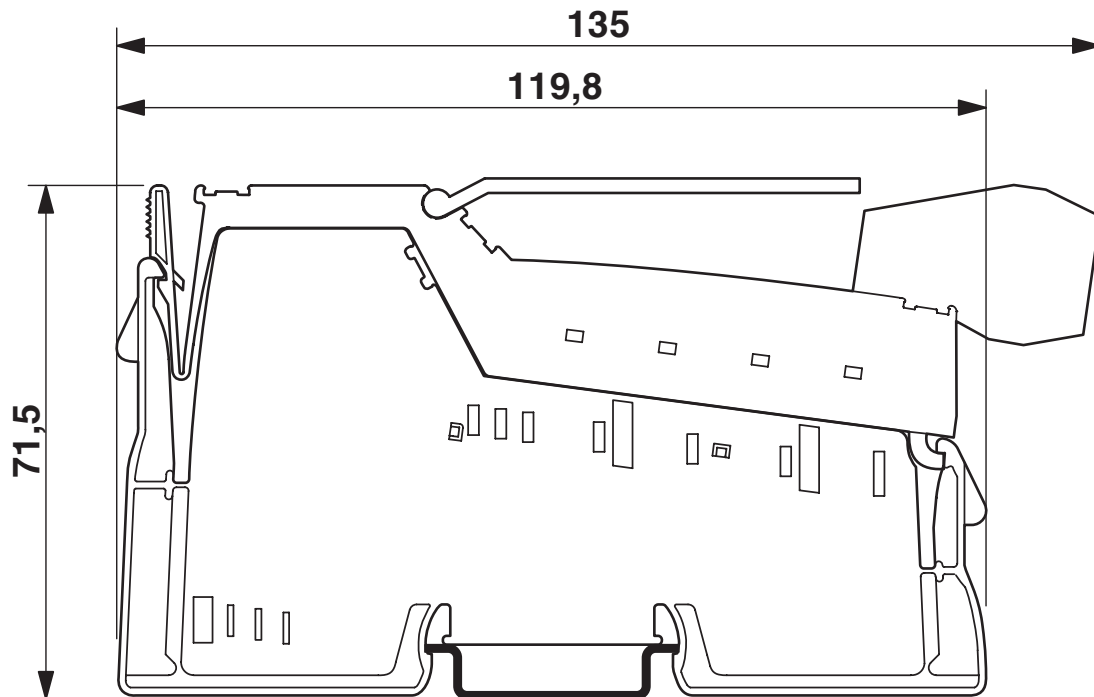
IBS IL 24 BK-T/U-PAC - Bus coupler

2861580

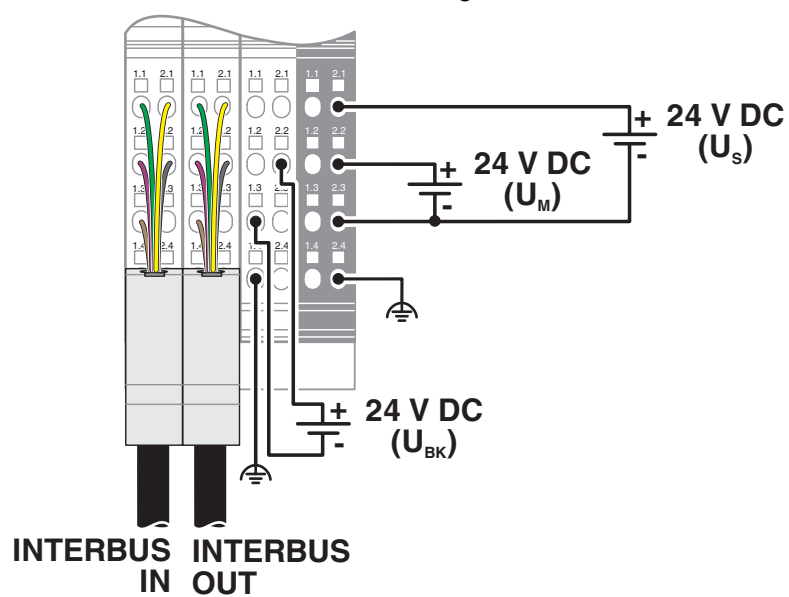
<https://www.phoenixcontact.com/us/products/2861580>

Drawings

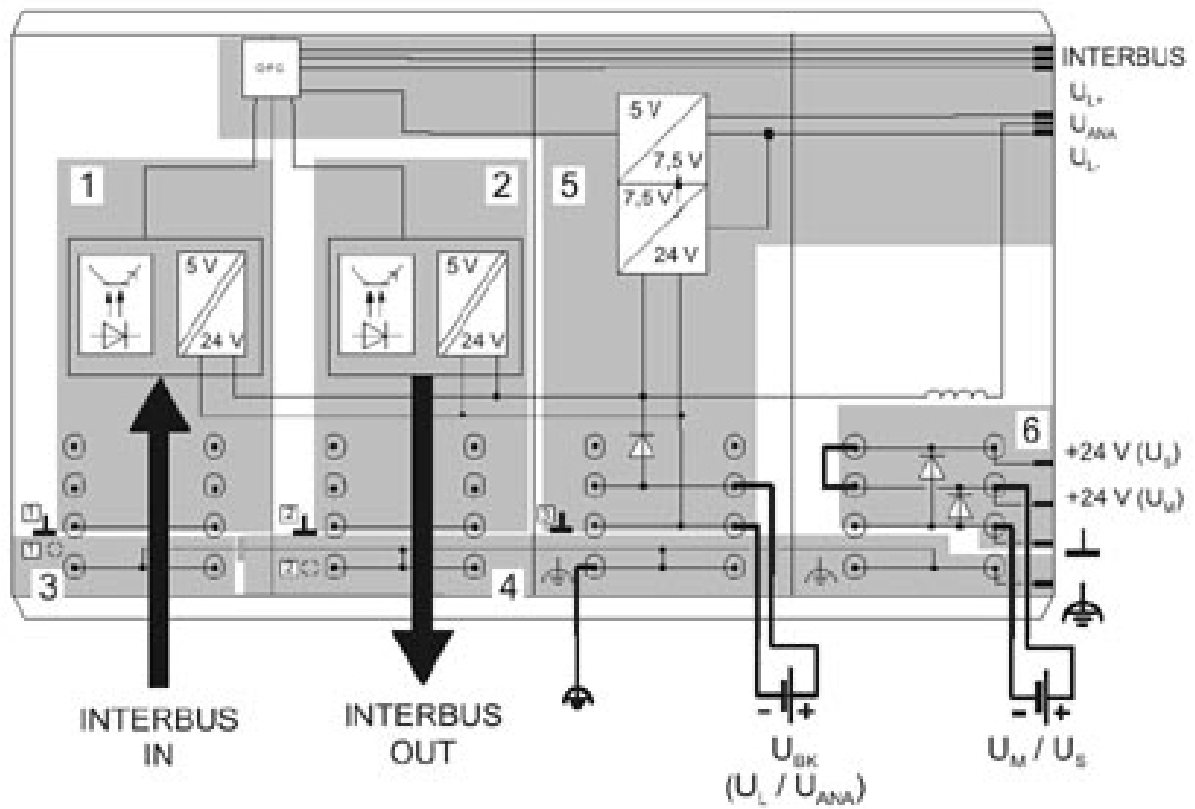
Dimensional drawing



Connection diagram



Block diagram



IBS IL 24 BK-T/U-PAC - Bus coupler



2861580

<https://www.phoenixcontact.com/us/products/2861580>

Approvals

To download certificates, visit the product detail page: <https://www.phoenixcontact.com/us/products/2861580>



EAC

Approval ID: TR TS_S_03508-21



DNV GL

Approval ID: TAA00001KV



BV

Approval ID: 20977/C1 BV

BSH

Approval ID: 658a



RINA

Approval ID: ELE121121XG

ABS

Approval ID: 22-2226444-PDA



cULus Recognized

Approval ID: E140324



LR

Approval ID: LR23398855TA



cULus Listed

Approval ID: E199827

IBS IL 24 BK-T/U-PAC - Bus coupler



2861580

<https://www.phoenixcontact.com/us/products/2861580>

Classifications

ECLASS

ECLASS-13.0	27242608
ECLASS-15.0	27242608

ETIM

ETIM 10.0	EC001604
-----------	----------

UNSPSC

UNSPSC 21.0	32151600
-------------	----------

IBS IL 24 BK-T/U-PAC - Bus coupler



2861580

<https://www.phoenixcontact.com/us/products/2861580>

Environmental product compliance

EU RoHS

Fulfills EU RoHS substance requirements	Yes
Exemption	7(a), 7(c)-I

China RoHS

Environment friendly use period (EFUP)	EFUP-50
	An article-related China RoHS declaration table can be found in the download area for the respective article under "Manufacturer declaration". For all articles with EFUP-E, no China RoHS declaration table issued and required.

EU REACH SVHC

REACH candidate substance (CAS No.)	Lead(CAS: 7439-92-1)
SCIP	f063e663-09ff-4353-9f8d-0418b40ec074

EF3.1 Climate Change

CO2e kg	6.251 kg CO2e
---------	---------------

Phoenix Contact 2026 © - all rights reserved
<https://www.phoenixcontact.com>

Phoenix Contact USA
586 Fulling Mill Road
Middletown, PA 17057, United States
(+717) 944-1300
info@phoenixcon.com