

IBS IL 24 BK RB-LK-PAC - Bus coupler



2861506

<https://www.phoenixcontact.com/us/products/2861506>

Please be informed that the data shown in this PDF document is generated from our online catalog. Please find the complete data in the user documentation. Our general terms of use for downloads are valid.



Inline, Bus coupler, INTERBUS, F-SMA connector, integrated remote bus branch, transmission speed in the local bus: 500 kbps, degree of protection: IP20, including Inline connector and labeling field

Product description

The bus coupler connects an Inline station to the INTERBUS remote bus and also offers the option of creating a remote bus branch. The bus coupler provides the communications power for the connected devices and the supply voltage for the connected analog modules.

Your advantages

- Remote bus connections using fiber optic technology
- Optical path diagnostics

Commercial data

Item number	2861506
Packing unit	1 pc
Sales key	DR01
Product key	DRI111
GTIN	4017918894429
Weight per piece (including packing)	315.8 g
Weight per piece (excluding packing)	235 g
Customs tariff number	85389091
Country of origin	DE

IBS IL 24 BK RB-LK-PAC - Bus coupler

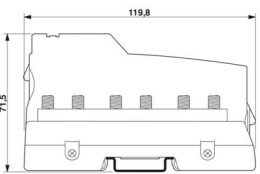


2861506

<https://www.phoenixcontact.com/us/products/2861506>

Technical data

Dimensions

Dimensional drawing	
Width	85 mm
Height	119.8 mm
Depth	71.5 mm

Interfaces

INTERBUS

Number of interfaces	3
Connection method	F-SMA connector
Transmission speed	500 kbps
Transmission physics	FO

Inline local bus

Number of interfaces	1
Connection method	Inline data jumper
Transmission speed	500 kbps
Transmission physics	FO

System properties

System limits

Number of local bus devices that can be connected	max. 63
Number of devices with parameter channel	62
Number of supported branch terminals with remote bus branch	max. 15

Module

ID code (dec.)	12
ID code (hex)	0C
Length code (hex)	0
Length code (dec)	0
Process data channel	0 bit
Input address area	0 Byte
Register length	0 bit

Product properties

Product type	I/O component
--------------	---------------

IBS IL 24 BK RB-LK-PAC - Bus coupler



2861506

<https://www.phoenixcontact.com/us/products/2861506>

Product family	Inline
Type	modular
Scope of supply	including Inline connector and labeling field
Special properties	integrated remote bus branch

Electrical properties

Maximum power dissipation for nominal condition	31.2 W
Protective circuit	Reverse polarity protection

Potentials: Bus coupler supply U_{BK} ; Communications power U_L (7.5 V) and the analog supply U_{ANA} (24 V) are generated from the bus coupler supply.

Supply voltage	24 V DC (via Inline connector)
Supply voltage range	19.2 V DC ... 30 V DC (including all tolerances, including ripple)
Current draw	max. 1.3 A (with max. number of connected I/O terminal blocks) typ. 120 mA (without connected Inline I/O terminals)

Potentials: Communications power (U_L)

Supply voltage	7.5 V DC $\pm 5\%$
Power supply	max. 2 A DC (observe derating)

Potentials: Supply of analog modules (U_{ANA})

Supply voltage	24 V DC
Supply voltage range	19.2 V DC ... 30 V DC (including all tolerances, including ripple)
Power supply	max. 0.5 A DC (observe derating)

Electrical isolation/isolation of the voltage ranges

Test voltage: 7.5 V communications power, 24 V analog supply, 24 V bus coupler supply/functional ground	500 V AC, 50 Hz, 1 min
---	------------------------

Connection data

Connection technology

Connection name	Inline connector
-----------------	------------------

Inline connector

Connection method	Spring-cage connection
Conductor cross-section, rigid	0.08 mm ² ... 1.5 mm ²
Conductor cross-section, flexible	0.08 mm ² ... 1.5 mm ²
Conductor cross-section AWG	28 ... 16
Stripping length	8 mm

Environmental and real-life conditions

Ambient conditions

Ambient temperature (operation)	-25 °C ... 55 °C
Degree of protection	IP20
Air pressure (operation)	80 kPa ... 106 kPa (up to 3000 m above sea level)
Air pressure (storage/transport)	70 kPa ... 106 kPa (up to 3000 m above sea level)

IBS IL 24 BK RB-LK-PAC - Bus coupler



2861506

<https://www.phoenixcontact.com/us/products/2861506>

Ambient temperature (storage/transport)	-25 °C ... 85 °C
Permissible humidity (operation)	75 % ... 85 %
Permissible humidity (storage/transport)	75 % ... 85 %

Mounting

Mounting type	DIN rail mounting
---------------	-------------------

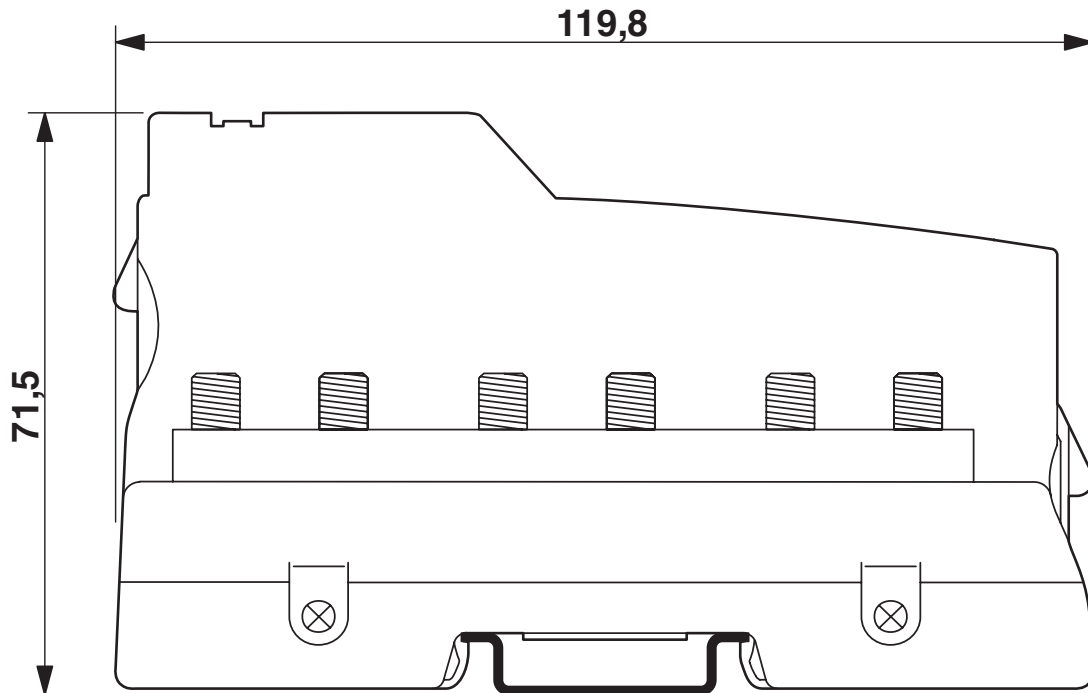
IBS IL 24 BK RB-LK-PAC - Bus coupler

2861506

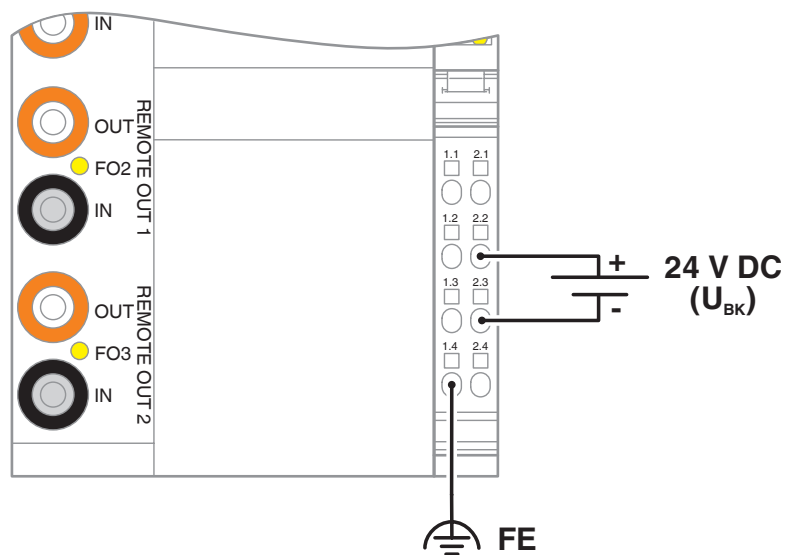
<https://www.phoenixcontact.com/us/products/2861506>

Drawings

Dimensional drawing



Connection diagram

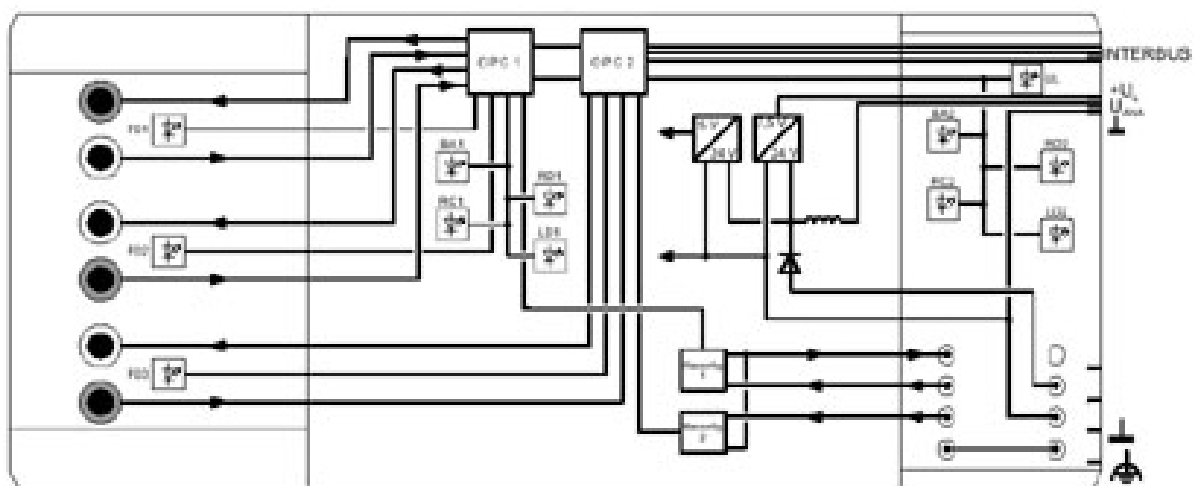


IBS IL 24 BK RB-LK-PAC - Bus coupler

2861506

<https://www.phoenixcontact.com/us/products/2861506>

Block diagram



IBS IL 24 BK RB-LK-PAC - Bus coupler



2861506

<https://www.phoenixcontact.com/us/products/2861506>

Classifications

ECLASS

ECLASS-13.0

27242608

ETIM

ETIM 9.0

EC001604

UNSPSC

UNSPSC 21.0

32151600

2861506

<https://www.phoenixcontact.com/us/products/2861506>

Environmental product compliance

EU RoHS

Fulfills EU RoHS substance requirements	Yes
Exemption	7(a), 7(c)-I

China RoHS

Environment friendly use period (EFUP)	EFUP-E
	No hazardous substances above the limits

EU REACH SVHC

REACH candidate substance (CAS No.)	Lead(CAS: 7439-92-1)
SCIP	ed1f8907-1fcd-4558-9dc1-0982e3f2b939

Phoenix Contact 2026 © - all rights reserved
<https://www.phoenixcontact.com>

Phoenix Contact USA
586 Fulling Mill Road
Middletown, PA 17057, United States
(+717) 944-1300
info@phoenixcon.com