

IBS IL 24 RB-T-PAC - Communication module



2861441

<https://www.phoenixcontact.com/us/products/2861441>

Please be informed that the data shown in this PDF document is generated from our online catalog. Please find the complete data in the user documentation. Our general terms of use for downloads are valid.



Inline, branch terminal, INTERBUS, Inline shield plug, with remote bus branch, transmission speed in the local bus: 500 Kbps, degree of protection: IP20, including Inline connector and marking field

Product description

The terminal is designed for use within an Inline station. It can be used to extend the INTERBUS network by additional system levels. A total of up to 15 levels can be operated in the network. **Note for use as a replacement item for IBS IL 24 RB-LK (item no. 2878117):** The item IBS IL 24 RB-LK is no longer in our product range. To achieve the same functionality, you can use a combination of an IBS IL 24 RB-T-PAC inline branch terminal (item no. 2861441) and a PSI-MOS-RS422/FO 660 E FO converter (item no. 2708342).

Your advantages

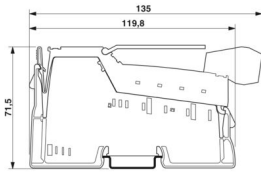
- Diagnostic and status indicators

Commercial data

Item number	2861441
Packing unit	1 pc
Minimum order quantity	1 pc
Sales key	DR01
Product key	DRI152
GTIN	4017918894375
Weight per piece (including packing)	87.8 g
Weight per piece (excluding packing)	67 g
Customs tariff number	85389099
Country of origin	DE

Technical data

Dimensions

Dimensional drawing	
Width	12.2 mm
Height	135 mm
Depth	71.5 mm

Notes

Note on application

Note on application	Only for industrial use
---------------------	-------------------------

Utilization restriction

CCCex note	Use in potentially explosive areas is not permitted in China.
------------	---

Material specifications

Color (Housing)	green (RAL 6021)
-----------------	------------------

Interfaces

INTERBUS

Connection method	Inline data jumper
Transmission speed	500 kbps

INTERBUS

Connection method	Inline shield connector
Transmission speed	500 kbps
Transmission physics	RS-485

Inline local bus

Connection method	Inline data jumper
Transmission speed	500 kbps
Transmission physics	Copper

System properties

System limits

Number of local bus devices that can be connected	max. 63 (Consider the logic current consumed by the devices; the branch terminal does not count as an Inline station device.)
---	---

Programming data (LocalbusSlave)

2861441

<https://www.phoenixcontact.com/us/products/2861441>

Length code (hex)	0
ID code (dec.)	04
Length code (dec)	0
Process data channel	0 bit
Input address area	0 Byte
Output address area	0 Byte
Parameter channel (PCP)	0 Byte
Register length (bus)	0 bit

Product properties

Product type	I/O component
Product family	Inline
Type	modular
Scope of supply	including Inline connector and labeling field
Special properties	with remote bus branch

Insulation characteristics

Overvoltage category	II (IEC 60664-1, EN 60664-1)
Pollution degree	2 (IEC 60664-1, EN 60664-1)

Electrical properties

Maximum power dissipation for nominal condition	0.7 W
---	-------

Potentials: Supply of analog modules (U_{ANA})

Supply voltage	24 V DC (via voltage jumper)
Supply voltage range	19.2 V DC ... 30 V DC (including all tolerances, including ripple)
Current draw	typ. 29 mA

Electrical isolation/isolation of the voltage ranges

Test voltage: 5 V supply, incoming remote bus, 5 V supply outgoing remote bus, 5 V supply logic	500 V AC, 50 Hz, 1 min
Test voltage: Remote bus branch	500 V AC, 50 Hz, 1 min
Test voltage: Functional ground	500 V AC, 50 Hz, 1 min

Connection data

Connection technology

Connection name	Inline connector
-----------------	------------------

Inline connector

Connection method	Spring-cage connection
Conductor cross-section, rigid	0.08 mm ² ... 1.5 mm ²
Conductor cross-section, flexible	0.08 mm ² ... 1.5 mm ²
Conductor cross-section AWG	28 ... 16
Stripping length	8 mm

Environmental and real-life conditions

IBS IL 24 RB-T-PAC - Communication module



2861441

<https://www.phoenixcontact.com/us/products/2861441>

Ambient conditions

Ambient temperature (operation)	-25 °C ... 55 °C
Degree of protection	IP20
Air pressure (operation)	70 kPa ... 106 kPa (up to 3000 m above sea level)
Air pressure (storage/transport)	70 kPa ... 106 kPa (up to 3000 m above sea level)
Ambient temperature (storage/transport)	-25 °C ... 85 °C
Permissible humidity (operation)	10 % ... 95 % (according to DIN EN 61131-2)
Permissible humidity (storage/transport)	10 % ... 95 % (according to DIN EN 61131-2)

Mechanical test

Vibration resistance in accordance with EN 60068-2-6/IEC 60068-2-6	5g
Shock in accordance with EN 60068-2-27/IEC 60068-2-27	25g

Standards and regulations

Protection class	III (IEC 61140, EN 61140, VDE 0140-1)
------------------	---------------------------------------

Mounting

Mounting type	DIN rail mounting
---------------	-------------------

Drawings

Dimensional drawing



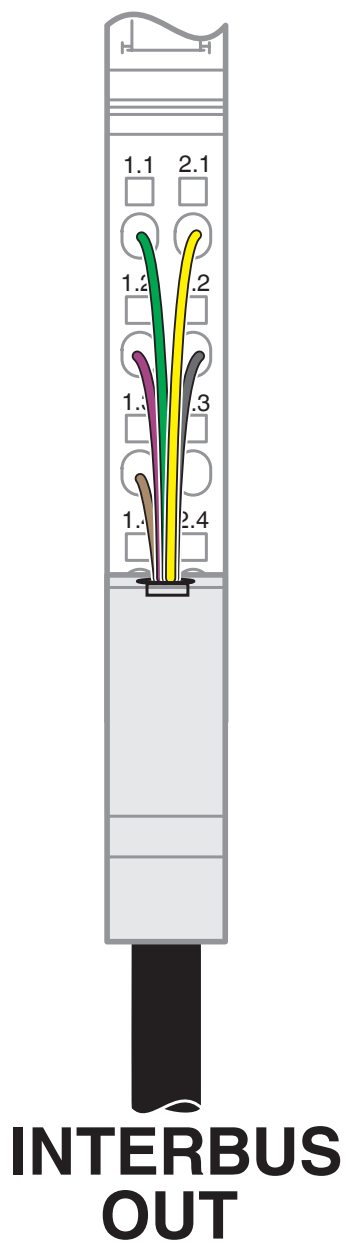
IBS IL 24 RB-T-PAC - Communication module

2861441

<https://www.phoenixcontact.com/us/products/2861441>



Connection diagram

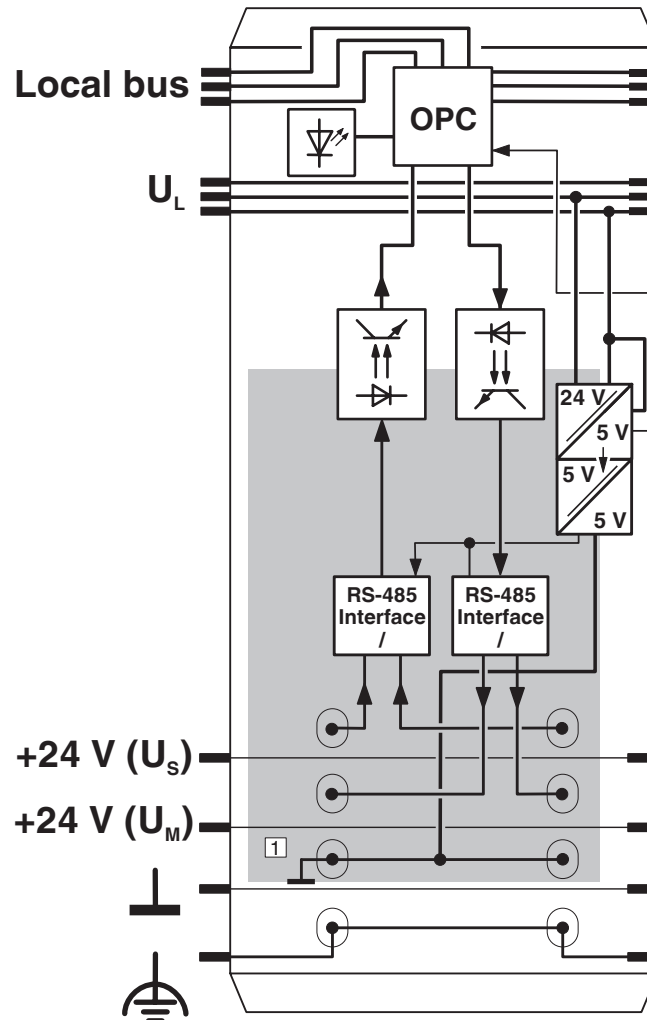


IBS IL 24 RB-T-PAC - Communication module

2861441

<https://www.phoenixcontact.com/us/products/2861441>

Block diagram



Internal wiring of the terminal points

2861441

<https://www.phoenixcontact.com/us/products/2861441>

Approvals

To download certificates, visit the product detail page: <https://www.phoenixcontact.com/us/products/2861441>



DNV GL

Approval ID: TAA00000BN



BV

Approval ID: 21594/C1 BV

BSH

Approval ID: 658a



RINA

Approval ID: ELE121121XG

ABS

Approval ID: 22-2226444-PDA



cULus Recognized

Approval ID: E140324



cULus Listed

Approval ID: E199827

2861441

<https://www.phoenixcontact.com/us/products/2861441>

Classifications

ECLASS

ECLASS-13.0	27242608
ECLASS-15.0	27242608

ETIM

ETIM 10.0	EC001604
-----------	----------

UNSPSC

UNSPSC 21.0	32151600
-------------	----------

2861441

<https://www.phoenixcontact.com/us/products/2861441>

Environmental product compliance

EU RoHS

Fulfills EU RoHS substance requirements	Yes
Exemption	7(a), 7(c)-I

China RoHS

Environment friendly use period (EFUP)	EFUP-50
	An article-related China RoHS declaration table can be found in the download area for the respective article under "Manufacturer declaration". For all articles with EFUP-E, no China RoHS declaration table issued and required.

EU REACH SVHC

REACH candidate substance (CAS No.)	Lead(CAS: 7439-92-1)
SCIP	1d3485ca-31f6-4fa9-9e18-732c9651d319

EF3.1 Climate Change

CO2e kg	2.741 kg CO2e
---------	---------------

Phoenix Contact 2026 © - all rights reserved
<https://www.phoenixcontact.com>

Phoenix Contact USA
 586 Fulling Mill Road
 Middletown, PA 17057, United States
 (+717) 944-1300
info@phoenixcon.com