

IB IL AO 1/U/SF-PAC - Analog module



2861399

<https://www.phoenixcontact.com/us/products/2861399>

Please be informed that the data shown in this PDF document is generated from our online catalog. Please find the complete data in the user documentation. Our general terms of use for downloads are valid.



Inline, Analog output terminal, Analog output: 1, 0 V ... 10 V, connection technology: 2-conductor, transmission speed in the local bus: 500 kbps, degree of protection: IP20, including Inline connector and labeling field

Product description

The terminal is designed for use within an Inline station. It is used to output analog voltage signals. The signals are available with a 16-bit resolution.

Your advantages

- 1 analog voltage output
- Connection of actuators in 2-conductor technology
- Voltage range: 0 V ... 10 V
- Process data update including conversion time of the digital/analog converter < 1 ms
- Measured value acquisition with a resolution of 16 bits

Commercial data

Item number	2861399
Packing unit	1 pc
Minimum order quantity	1 pc
Sales key	DR01
Product key	DRI142
GTIN	4017918894337
Weight per piece (including packing)	83 g
Weight per piece (excluding packing)	90 g
Customs tariff number	85389091
Country of origin	DE

IB IL AO 1/U/SF-PAC - Analog module

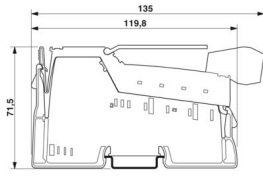


2861399

<https://www.phoenixcontact.com/us/products/2861399>

Technical data

Dimensions

Dimensional drawing	
Width	12.2 mm
Height	135 mm
Depth	71.5 mm

Notes

Note on application

Note on application	Only for industrial use
---------------------	-------------------------

Utilization restriction

CCCex note	Use in potentially explosive areas is not permitted in China.
------------	---

Material specifications

Color (Housing)	green (RAL 6021)
-----------------	------------------

Interfaces

Inline local bus

Number of interfaces	2
Connection method	Inline data jumper
Transmission speed	500 kbps
Transmission physics	Copper

System properties

Programming data (LocalbusSlave)

Length code (hex)	01
ID code (dec.)	125
Length code (dec)	01
Process data channel	16 bit
Input address area	0 Byte
Output address area	2 Byte
Parameter channel (PCP)	0 Byte
Register length (bus)	16 bit

Fieldbus data telegram

Required parameter data	4 Byte
-------------------------	--------

IB IL AO 1/U/SF-PAC - Analog module



2861399

<https://www.phoenixcontact.com/us/products/2861399>

Required configuration data	4 Byte
-----------------------------	--------

Output data

Analog:

Output name	Analog output
Connection technology	2-conductor
Note regarding the connection technology	shielded
Number of outputs	1
D/A converter resolution	16 bit
Protective circuit	Transient protection of outputs
Representation of output values	16 bits (15 bits + sign)
DAC resolution	16 bit
Process data update	< 1 ms
Voltage output signal	0 V ... 10 V
Load/output load voltage output	> 2 kΩ 0.05 %

Product properties

Product type	I/O component
Product family	Inline
Type	modular
Scope of supply	including Inline connector and labeling field

Insulation characteristics

Overvoltage category	II (IEC 60664-1, EN 60664-1)
Pollution degree	2 (IEC 60664-1, EN 60664-1)

Electrical properties

Maximum power dissipation for nominal condition	0.8 W
---	-------

Potentials: Communications power (U_L)

Supply voltage	7.5 V DC (via voltage jumper)
Current draw	max. 40 mA typ. 30 mA

Potentials: Supply of analog modules (U_{ANA})

Supply voltage	24 V DC (via voltage jumper)
Supply voltage range	19.2 V DC ... 30 V DC (including all tolerances, including ripple)
Current draw	max. 20 mA typ. 15 mA

Electrical isolation/isolation of the voltage ranges

Test voltage: 7.5 V supply (bus logic), 24 V supply U_{ANA} / I/O	500 V AC, 50 Hz, 1 min
Test voltage: 7.5 V supply (bus logic), 24 V supply U_{ANA} / functional ground	500 V AC, 50 Hz, 1 min
Test voltage: 24 V supply (I/O) / functional ground	500 V AC, 50 Hz, 1 min

Connection data

Connection technology

Connection name	Inline connector
-----------------	------------------

Inline connector

Connection method	Spring-cage connection
Conductor cross-section, rigid	0.08 mm ² ... 1.5 mm ²
Conductor cross-section, flexible	0.08 mm ² ... 1.5 mm ²
Conductor cross-section AWG	28 ... 16
Stripping length	8 mm

Environmental and real-life conditions

Ambient conditions

Ambient temperature (operation)	-25 °C ... 55 °C
Degree of protection	IP20
Air pressure (operation)	70 kPa ... 106 kPa (up to 3000 m above sea level)
Air pressure (storage/transport)	70 kPa ... 106 kPa (up to 3000 m above sea level)
Ambient temperature (storage/transport)	-25 °C ... 85 °C
Permissible humidity (operation)	10 % ... 95 % (non-condensing)
Permissible humidity (storage/transport)	10 % ... 95 % (non-condensing)

Standards and regulations

Protection class	III (IEC 61140, EN 61140, VDE 0140-1)
------------------	---------------------------------------

Mounting

Mounting type	DIN rail mounting
---------------	-------------------

IB IL AO 1/U/SF-PAC - Analog module



2861399

<https://www.phoenixcontact.com/us/products/2861399>

Drawings

Dimensional drawing



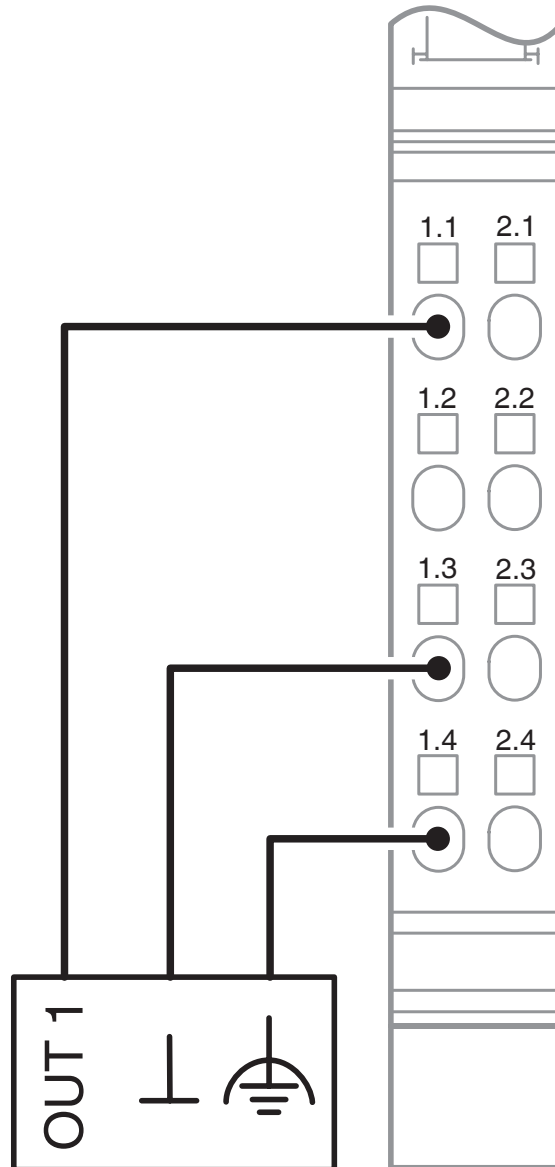
IB IL AO 1/U/SF-PAC - Analog module

2861399

<https://www.phoenixcontact.com/us/products/2861399>



Connection diagram



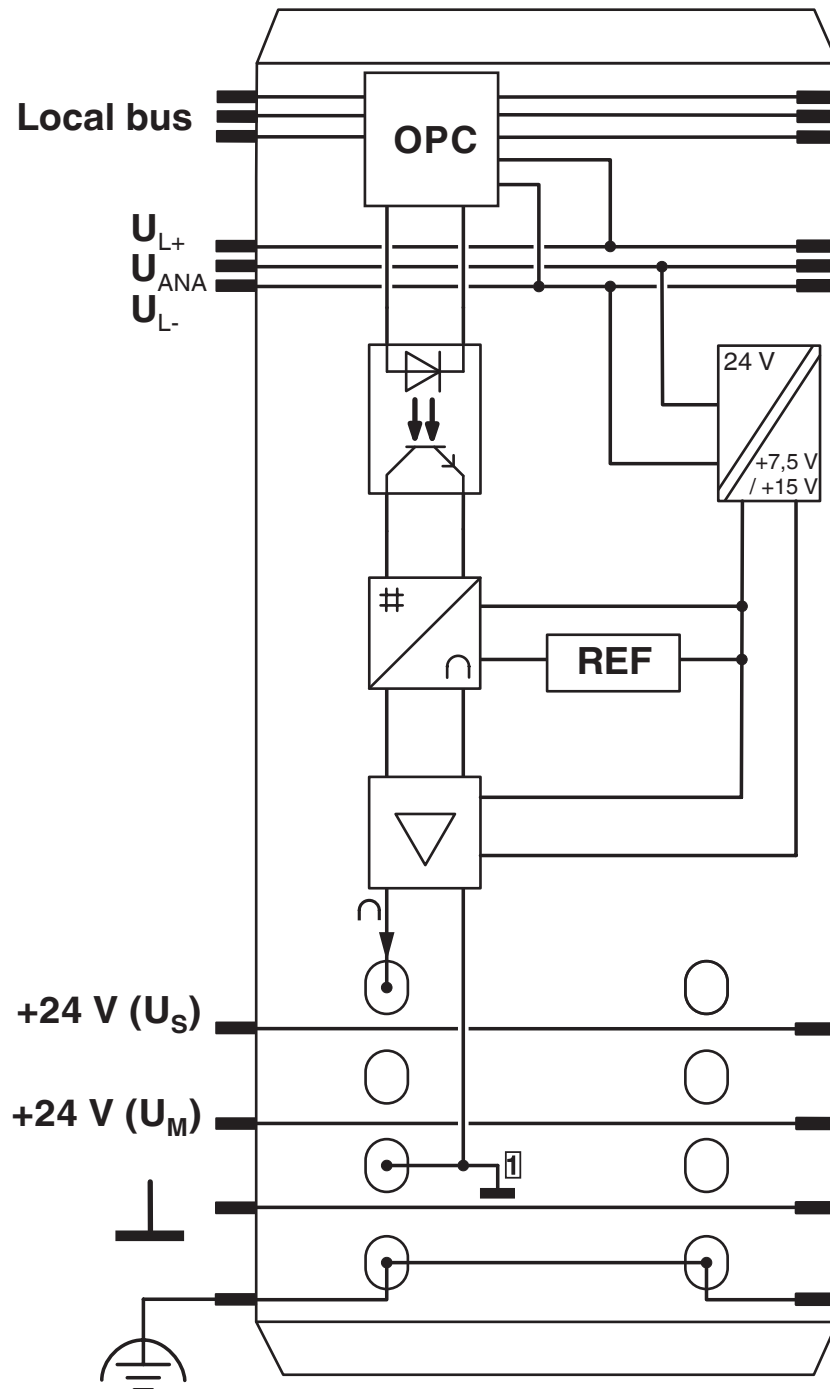
IB IL AO 1/U/SF-PAC - Analog module

2861399

<https://www.phoenixcontact.com/us/products/2861399>



Block diagram



IB IL AO 1/U/SF-PAC - Analog module



2861399

<https://www.phoenixcontact.com/us/products/2861399>

Approvals

To download certificates, visit the product detail page: <https://www.phoenixcontact.com/us/products/2861399>



cULus Recognized

Approval ID: E140324



cULus Listed

Approval ID: E199827

IB IL AO 1/U/SF-PAC - Analog module



2861399

<https://www.phoenixcontact.com/us/products/2861399>

Classifications

ECLASS

ECLASS-13.0	27242601
ECLASS-15.0	27242601

ETIM

ETIM 10.0	EC001596
-----------	----------

UNSPSC

UNSPSC 21.0	32151600
-------------	----------

IB IL AO 1/U/SF-PAC - Analog module



2861399

<https://www.phoenixcontact.com/us/products/2861399>

Environmental product compliance

EU RoHS

Fulfills EU RoHS substance requirements	Yes
Exemption	7(a), 7(c)-I

China RoHS

Environment friendly use period (EFUP)	EFUP-50
	An article-related China RoHS declaration table can be found in the download area for the respective article under "Manufacturer declaration". For all articles with EFUP-E, no China RoHS declaration table issued and required.

EU REACH SVHC

REACH candidate substance (CAS No.)	Lead(CAS: 7439-92-1)
SCIP	71d9e1c2-c06a-418f-9112-2597c6178a35

EF3.1 Climate Change

CO2e kg	5.358 kg CO2e
---------	---------------

Phoenix Contact 2026 © - all rights reserved
<https://www.phoenixcontact.com>

Phoenix Contact USA
586 Fulling Mill Road
Middletown, PA 17057, United States
(+717) 944-1300
info@phoenixcon.com