

IB IL 24 PWR IN-PAC - Feed-in module

2861331

<https://www.phoenixcontact.com/us/products/2861331>

Please be informed that the data shown in this PDF document is generated from our online catalog. Please find the complete data in the user documentation. Our general terms of use for downloads are valid.



Inline power terminal, complete with accessories (connector and labeling field), 24 V DC, without fuse

Product description

The terminal is designed for use within an Inline station. It enables the 24 V supply voltage to be fed into the main circuit (U_M). In addition, this terminal can be used to supply power for a 24 V segment circuit (U_S).

Your advantages

- Supply of the 24 V main voltage U_{M}
- Feed-in or provision of the 24 V segment voltage U_S
- Main circuit protected by an external fuse
- Segment circuit can be protected by an external fuse

Commercial data

Item number	2861331
Packing unit	1 pc
Minimum order quantity	1 pc
Sales key	DR01
Product key	DRI121
GTIN	4017918894276
Weight per piece (including packing)	71.5 g
Weight per piece (excluding packing)	59 g
Customs tariff number	85389099
Country of origin	DE

IB IL 24 PWR IN-PAC - Feed-in module

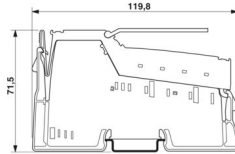


2861331

<https://www.phoenixcontact.com/us/products/2861331>

Technical data

Dimensions

Dimensional drawing	
Width	12.2 mm
Height	119.8 mm
Depth	71.5 mm

Notes

Note on application

Note on application	Only for industrial use
---------------------	-------------------------

Utilization restriction

CCCex note	Use in potentially explosive areas is not permitted in China.
------------	---

Material specifications

Color (Housing)	green (RAL 6021)
-----------------	------------------

Interfaces

Inline local bus

Number of interfaces	2
Connection method	Inline data jumper
Transmission speed	500 kbps / 2 Mbps (Can be used in Inline stations with these transmission speeds)

System properties

Programming data (LocalbusSlave)

ID code (dec.)	none
Process data channel	0 bit
Input address area	0 bit
Output address area	0 bit
Parameter channel (PCP)	0 bit
Register length (bus)	0 bit

Fieldbus data telegram (PROFIBUS)

Required parameter data	0 Byte
Required configuration data	0 Byte

2861331

<https://www.phoenixcontact.com/us/products/2861331>

Product properties

Product type	I/O component
Product family	Inline
Type	modular
Installation location	Control cabinet
Number of plugs	1
Special properties	24 V DC U_M, U_S

Insulation characteristics

Protection class	III (IEC 61140, EN 61140, VDE 0140-1)
Overvoltage category	II (IEC 60664-1, EN 60664-1)
Pollution degree	2 (IEC 60664-1, EN 60664-1)

Electrical properties

Maximum power dissipation for nominal condition	1.8 W
Test section	7.5 V supply (bus logics)/24 V supply (I/O) 500 V AC 50 Hz 1 min 24 V supply (I/O) / functional ground 500 V AC 50 Hz 1 min 7.5 V supply (bus logic)/functional ground 500 V AC 50 Hz 1 min
Protective circuit	Surge protection; Suppressor diode Reverse polarity protection; Parallel polarity protection diode Overload protection, short-circuit protection in the segment circuit; No

Potentials: Main circuit supply (U_M)

Supply voltage	24 V DC (via Inline connector)
Supply voltage range	19.2 V ... 30 V (including all tolerances, including ripple)
Power supply	max. 8 A (sum of $U_M + U_S$)

Potentials: Segment circuit supply (U_S)

Supply voltage	24 V DC (via Inline connector)
Supply voltage range	19.2 V DC ... 30 V DC (including all tolerances, including ripple)
Power supply	max. 8 A (sum of $U_M + U_S$)

Connection data

Connection technology

Connection name	Inline connector
-----------------	------------------

Inline connector

Connection method	Spring-cage connection
Conductor cross-section, rigid	0.08 mm ² ... 1.5 mm ²
Conductor cross-section, flexible	0.08 mm ² ... 1.5 mm ²
Conductor cross-section AWG	28 ... 16
Stripping length	8 mm

Environmental and real-life conditions

Ambient conditions

Degree of protection	IP20
Ambient temperature (operation)	-25 °C ... 55 °C
Ambient temperature (storage/transport)	-25 °C ... 85 °C
Permissible humidity (operation)	10 % ... 95 % (non-condensing)
Permissible humidity (storage/transport)	10 % ... 95 % (non-condensing)
Air pressure (operation)	70 kPa ... 106 kPa (up to 3000 m above sea level)
Air pressure (storage/transport)	70 kPa ... 106 kPa (up to 3000 m above sea level)

Mechanical test

Vibration resistance in accordance with EN 60068-2-6/IEC 60068-2-6	5g
Shock in accordance with EN 60068-2-27/IEC 60068-2-27	25g

Standards and regulations

Protection class	III (IEC 61140, EN 61140, VDE 0140-1)
------------------	---------------------------------------

Mounting

Mounting type	DIN rail mounting
---------------	-------------------

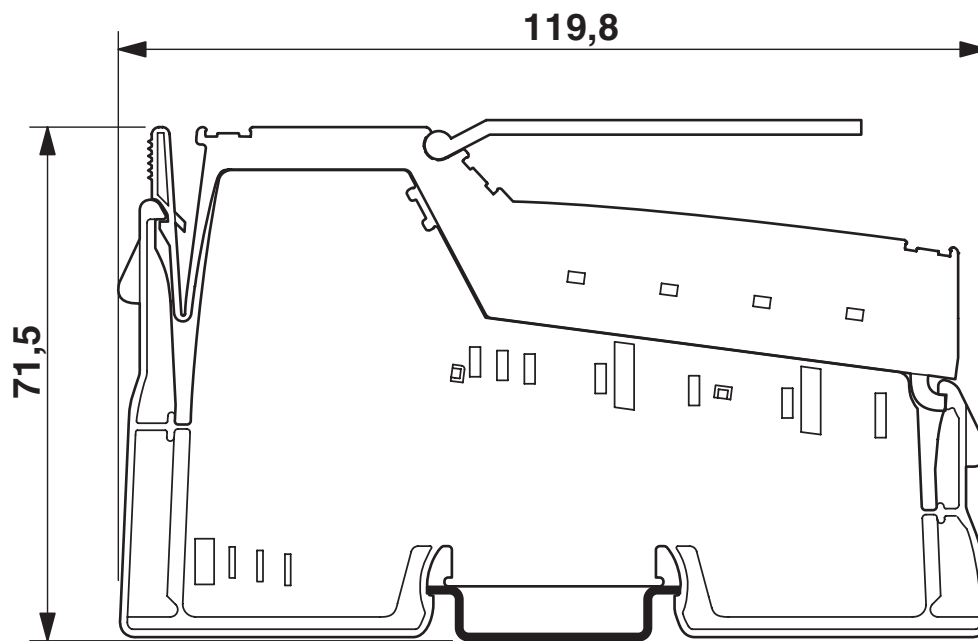
IB IL 24 PWR IN-PAC - Feed-in module

2861331

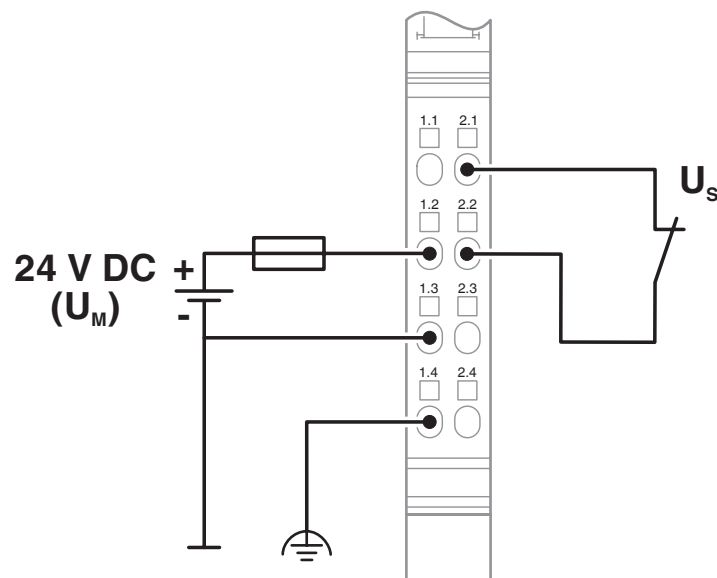
<https://www.phoenixcontact.com/us/products/2861331>

Drawings

Dimensional drawing



Connection diagram



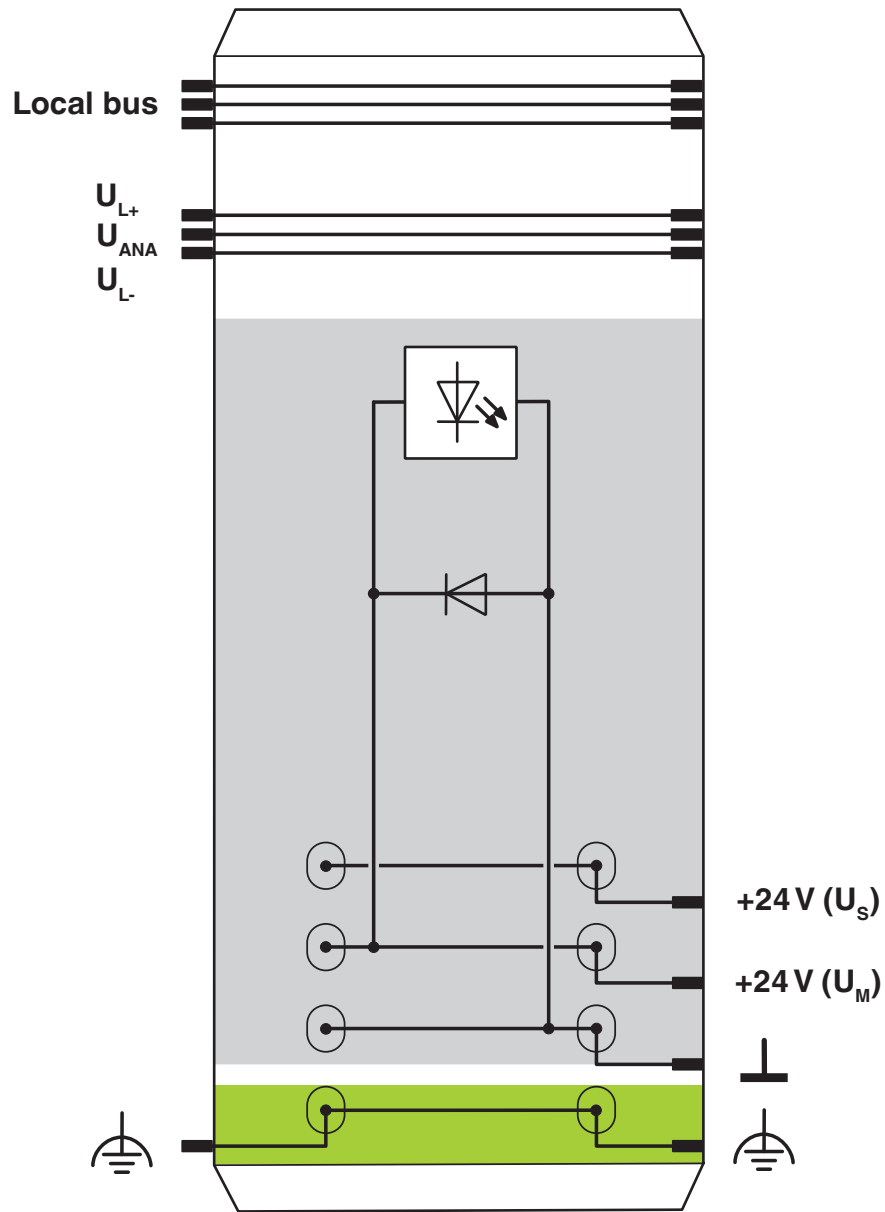
IB IL 24 PWR IN-PAC - Feed-in module

2861331

<https://www.phoenixcontact.com/us/products/2861331>



Block diagram



Internal wiring of the terminal points

2861331

<https://www.phoenixcontact.com/us/products/2861331>

Approvals

To download certificates, visit the product detail page: <https://www.phoenixcontact.com/us/products/2861331>



DNV GL

Approval ID: TAA00000BN



BV

Approval ID: 21595/C1 BV

BSH

Approval ID: 658a



RINA

Approval ID: ELE121121XG

ABS

Approval ID: 22-2226444-PDA



cULus Recognized

Approval ID: E140324



Functional Safety

Approval ID: 968/EL 711.08/23



cULus Listed

Approval ID: E199827

IB IL 24 PWR IN-PAC - Feed-in module



2861331

<https://www.phoenixcontact.com/us/products/2861331>

Classifications

ECLASS

ECLASS-13.0	27242610
ECLASS-15.0	27242610

ETIM

ETIM 10.0	EC001600
-----------	----------

UNSPSC

UNSPSC 21.0	32151600
-------------	----------

Environmental product compliance

EU RoHS

Fulfills EU RoHS substance requirements	Yes
Exemption	7(a), 7(c)-I

China RoHS

Environment friendly use period (EFUP)	EFUP-50
	An article-related China RoHS declaration table can be found in the download area for the respective article under "Manufacturer declaration". For all articles with EFUP-E, no China RoHS declaration table issued and required.

EU REACH SVHC

REACH candidate substance (CAS No.)	Lead(CAS: 7439-92-1)
SCIP	7299a6fb-f2d4-4905-b023-8a5c6370c144

EF3.1 Climate Change

CO2e kg	0.311 kg CO2e
---------	---------------

Phoenix Contact 2026 © - all rights reserved
<https://www.phoenixcontact.com>

Phoenix Contact USA
 586 Fulling Mill Road
 Middletown, PA 17057, United States
 (+717) 944-1300
info@phoenixcon.com