

# IB IL AO 1/SF-PAC - Analog module



2861315

<https://www.phoenixcontact.com/us/products/2861315>

Please be informed that the data shown in this PDF document is generated from our online catalog. Please find the complete data in the user documentation. Our general terms of use for downloads are valid.



Inline, Analog output terminal, Analog output: 1, 0 V ... 10 V, 0 mA ... 20 mA, 4 mA ... 20 mA, connection technology: 2-conductor, transmission speed in the local bus: 500 kbps, degree of protection: IP20, including Inline connectors and marking fields

## Product description

The terminal is designed for use within an Inline station. It is used to output analog current and voltage signals.

## Your advantages

- 1 analog output for the connection of either voltage or current signals
- Connection of actuators in 2-conductor technology
- Current ranges: 0 mA ... 20 mA, 4 mA ... 20 mA
- Voltage range: 0 V ... 10 V
- Process data update including conversion time of the digital/analog converter < 1 ms

## Commercial data

Item number	2861315
Packing unit	1 pc
Minimum order quantity	1 pc
Sales key	DR01
Product key	DRI142
GTIN	4017918894252
Weight per piece (including packing)	169.4 g
Weight per piece (excluding packing)	126 g
Customs tariff number	85389091
Country of origin	DE

# IB IL AO 1/SF-PAC - Analog module

2861315

<https://www.phoenixcontact.com/us/products/2861315>

## Technical data

### Dimensions

Dimensional drawing	
Width	24.4 mm
Height	135 mm
Depth	71.5 mm
Note on dimensions	Housing dimensions

### Notes

#### Note on application

Note on application	Only for industrial use
---------------------	-------------------------

#### Utilization restriction

CCCex note	Use in potentially explosive areas is not permitted in China.
------------	---

### Material specifications

Color (Housing)	green (RAL 6021)
-----------------	------------------

### Interfaces

#### Inline local bus

Number of interfaces	2
Connection method	Inline data jumper
Transmission speed	500 kbps

### System properties

#### Programming data (LocalbusSlave)

Length code (hex)	01
ID code (dec.)	125
Length code (dec)	01
Process data channel	16 bit
Input address area	0 Byte
Output address area	2 Byte
Parameter channel (PCP)	0 Byte
Register length (bus)	16 bit

#### Fieldbus data telegram

Required parameter data	4 Byte
-------------------------	--------

Required configuration data	4 Byte
-----------------------------	--------

## Output data

### Analog:

Output name	Analog output
Connection technology	2-conductor
Note regarding the connection technology	shielded
Number of outputs	1
D/A converter resolution	16 bit
Protective circuit	Transient protection of outputs
Representation of output values	16-bit straight binary
DAC resolution	16 bit
Process data update	< 1 ms
Current output signal	0 mA ... 20 mA 4 mA ... 20 mA
Load/output load current output	< 500 Ω
Voltage output signal	0 V ... 10 V
Load/output load voltage output	> 2 kΩ

## Product properties

Product type	I/O component
Product family	Inline
Type	modular
Scope of supply	including Inline connectors and marking fields
Operating mode	Process data mode with one word
Diagnostics messages	Failure of or insufficient communications power $U_L$ I/O error message sent to the bus coupler

### Insulation characteristics

Overvoltage category	II (IEC 60664-1, EN 60664-1)
Pollution degree	2 (IEC 60664-1, EN 60664-1)

## Electrical properties

Maximum power dissipation for nominal condition	1.85 W
---	--------

### Potentials: Communications power ( $U_L$ )

Supply voltage	7.5 V DC (via voltage jumper)
Current draw	max. 40 mA typ. 30 mA

### Potentials: Supply of analog modules ( $U_{ANA}$ )

Supply voltage	24 V DC (via voltage jumper)
Supply voltage range	19.2 V DC ... 30 V DC (including all tolerances, including ripple)
Current draw	max. 65 mA typ. 50 mA

# IB IL AO 1/SF-PAC - Analog module



2861315

<https://www.phoenixcontact.com/us/products/2861315>

## Electrical isolation/isolation of the voltage ranges

Test voltage: 7.5 V supply (bus logic), 24 V supply U <sub>ANA</sub> / I/O	500 V AC, 50 Hz, 1 min
Test voltage: 7.5 V supply (bus logic), 24 V supply U <sub>ANA</sub> / functional ground	500 V AC, 50 Hz, 1 min
Test voltage: I/O/functional ground	500 V AC, 50 Hz, 1 min

## Connection data

### Connection technology

Connection name	Inline connector
-----------------	------------------

### Inline connector

Connection method	Spring-cage connection
Conductor cross-section, rigid	0.08 mm <sup>2</sup> ... 1.5 mm <sup>2</sup>
Conductor cross-section, flexible	0.08 mm <sup>2</sup> ... 1.5 mm <sup>2</sup>
Conductor cross-section AWG	28 ... 16
Stripping length	8 mm

## Environmental and real-life conditions

### Ambient conditions

Ambient temperature (operation)	-25 °C ... 55 °C
Degree of protection	IP20
Air pressure (operation)	70 kPa ... 106 kPa (up to 3000 m above sea level)
Air pressure (storage/transport)	70 kPa ... 106 kPa (up to 3000 m above sea level)
Ambient temperature (storage/transport)	-25 °C ... 85 °C
Permissible humidity (operation)	10 % ... 95 % (non-condensing)
Permissible humidity (storage/transport)	10 % ... 95 % (non-condensing)

## Standards and regulations

Protection class	III (IEC 61140, EN 61140, VDE 0140-1)
------------------	---------------------------------------

## Mounting

Mounting type	DIN rail mounting
---------------	-------------------

# IB IL AO 1/SF-PAC - Analog module



2861315

<https://www.phoenixcontact.com/us/products/2861315>

## Drawings

Dimensional drawing



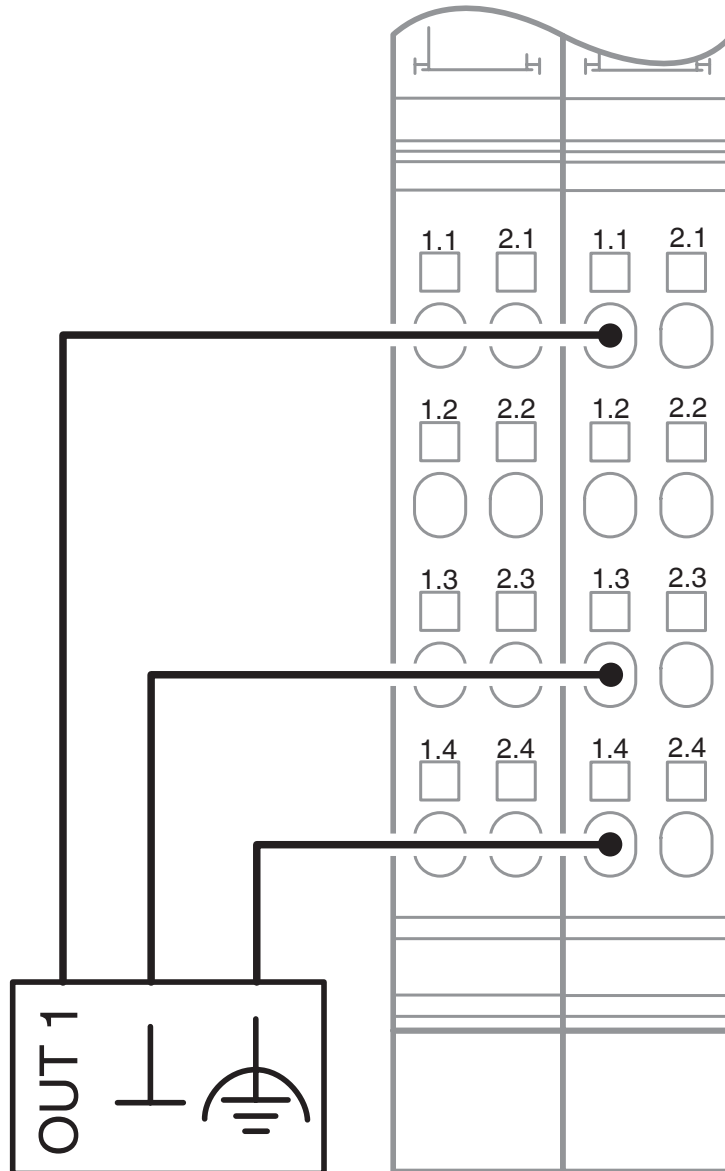
# IB IL AO 1/SF-PAC - Analog module

2861315

<https://www.phoenixcontact.com/us/products/2861315>



Connection diagram

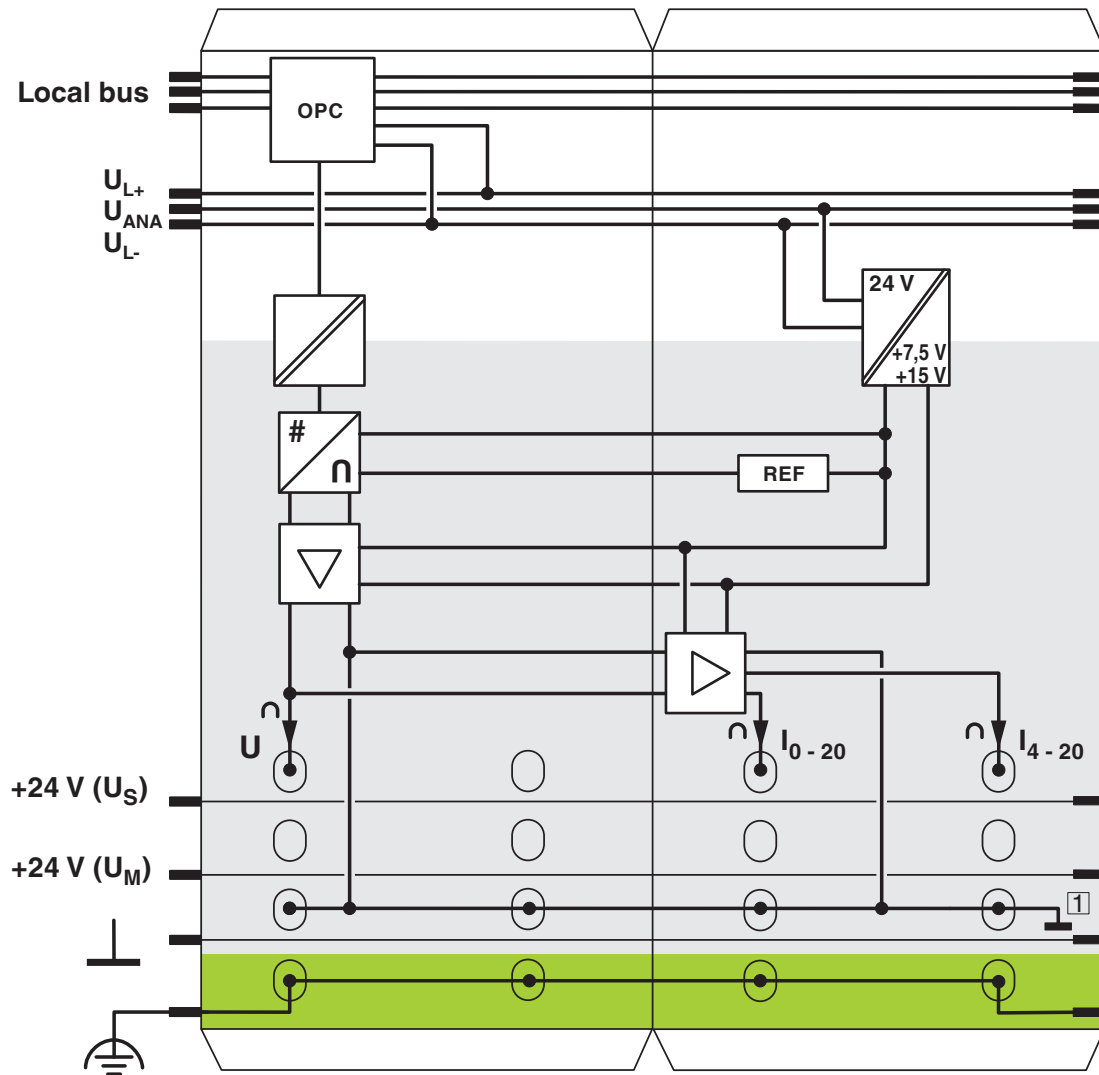


# IB IL AO 1/SF-PAC - Analog module

2861315

<https://www.phoenixcontact.com/us/products/2861315>

Block diagram



# IB IL AO 1/SF-PAC - Analog module



2861315

<https://www.phoenixcontact.com/us/products/2861315>

## Approvals

To download certificates, visit the product detail page: <https://www.phoenixcontact.com/us/products/2861315>



**cULus Recognized**

Approval ID: E140324



**cULus Listed**

Approval ID: E199827

# IB IL AO 1/SF-PAC - Analog module



2861315

<https://www.phoenixcontact.com/us/products/2861315>

## Classifications

### ECLASS

ECLASS-13.0	27242601
ECLASS-15.0	27242601

### ETIM

ETIM 10.0	EC001596
-----------	----------

### UNSPSC

UNSPSC 21.0	32151600
-------------	----------

2861315

<https://www.phoenixcontact.com/us/products/2861315>

## Environmental product compliance

### EU RoHS

Fulfills EU RoHS substance requirements	Yes
Exemption	7(a), 7(c)-I

### China RoHS

Environment friendly use period (EFUP)	EFUP-50
	An article-related China RoHS declaration table can be found in the download area for the respective article under "Manufacturer declaration". For all articles with EFUP-E, no China RoHS declaration table issued and required.

### EU REACH SVHC

REACH candidate substance (CAS No.)	Lead(CAS: 7439-92-1)
	6,6'-di-tert-butyl-2,2'-methylenedi-p-cresol(CAS: 119-47-1)
SCIP	9306643c-ac2b-4f47-98ee-e603ec7de1f1

### EF3.1 Climate Change

CO2e kg	7.199 kg CO2e
---------	---------------

Phoenix Contact 2026 © - all rights reserved  
<https://www.phoenixcontact.com>

Phoenix Contact USA  
586 Fulling Mill Road  
Middletown, PA 17057, United States  
(+717) 944-1300  
[info@phoenixcon.com](mailto:info@phoenixcon.com)