

IBS IL 24 BK-LK/45-2MBD - Bus coupler



2861124

<https://www.phoenixcontact.com/us/products/2861124>

Please be informed that the data shown in this PDF document is generated from our online catalog. Please find the complete data in the user documentation. Our general terms of use for downloads are valid.



INTERBUS bus coupler, with fiber optic connection at an angle of 45°, 24 V DC, transmission speed 2 Mbaud, without accessories

Commercial data

Item number	2861124
Packing unit	1 pc
Note	Made to order (non-returnable)
Sales key	DR01
Product key	DRI111
GTIN	4017918974572
Weight per piece (including packing)	297.4 g
Weight per piece (excluding packing)	265.7 g
Customs tariff number	85389091
Country of origin	DE

Technical data

Product properties

Type	modular
------	---------

System properties

INTERBUS-Master

Number of devices with parameter channel	63
Number of supported branch terminals with remote bus branch	max. 15

Programming data

Length code (hex)	00
ID code (dec.)	04
Length code (dec)	00
Process data channel	0 bit
Input address area	0 Byte
Output address area	0 Byte
Parameter channel (PCP)	0 Byte
Register length (master)	8192 bit

Electrical properties

Protective circuit	Reverse polarity protection
--------------------	-----------------------------

Potentials: Bus coupler supply U_{BK} ; Communications power U_L (7.5 V) and the analog supply U_{ANA} (24 V) are generated from the bus coupler supply.

Supply voltage	24 V DC (via Inline connector)
Supply voltage range	19.2 V DC ... 30 V DC (including all tolerances, including ripple)
Current draw	max. 1.25 A (with max. number of connected I/O terminal blocks) typ. 90 mA (without connected Inline I/O terminals)

Potentials: Communications power (U_L)

Supply voltage	7.5 V DC $\pm 5\%$
Power supply	max. 2 A DC (observe derating)

Potentials: Supply of analog modules (U_{ANA})

Supply voltage	24 V DC
Supply voltage range	19.2 V DC ... 30 V DC (including all tolerances, including ripple)
Power supply	max. 0.5 A DC (observe derating)

Electrical isolation/isolation of the voltage ranges

Test voltage: 7.5 V communications power, 24 V analog supply, 24 V bus coupler supply/functional ground	500 V AC, 50 Hz, 1 min
---	------------------------

Connection data

Inline connector

IBS IL 24 BK-LK/45-2MBD - Bus coupler



2861124

<https://www.phoenixcontact.com/us/products/2861124>

Connection method	Spring-cage connection
Conductor cross-section, rigid	0.09 mm ² ... 1.5 mm ²
Conductor cross-section, flexible	0.09 mm ² ... 1.5 mm ²
Conductor cross-section AWG	28 ... 16

Interfaces

INTERBUS

No. of channels	2
Connection method	F-SMA connector
Note on the connection method	slanted
Number of positions	2
Transmission speed	2 Mbps
Transmission physics	FO

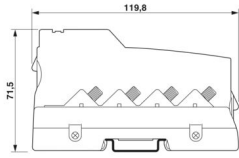
Inline local bus

Connection method	Inline data jumper
-------------------	--------------------

Supply

Connection method	8-pos. Inline connector
-------------------	-------------------------

Dimensions

Dimensional drawing	
Width	85 mm
Height	119.8 mm
Depth	71.5 mm

Material specifications

Color	green
-------	-------

Environmental and real-life conditions

Ambient conditions

Ambient temperature (operation)	-25 °C ... 55 °C
Degree of protection	IP20
Air pressure (operation)	80 kPa ... 106 kPa (up to 3000 m above sea level)
Air pressure (storage/transport)	70 kPa ... 106 kPa (up to 3000 m above sea level)
Ambient temperature (storage/transport)	-25 °C ... 85 °C
Permissible humidity (operation)	75 % ... 85 %
Permissible humidity (storage/transport)	75 % ... 85 %

Mounting

IBS IL 24 BK-LK/45-2MBD - Bus coupler



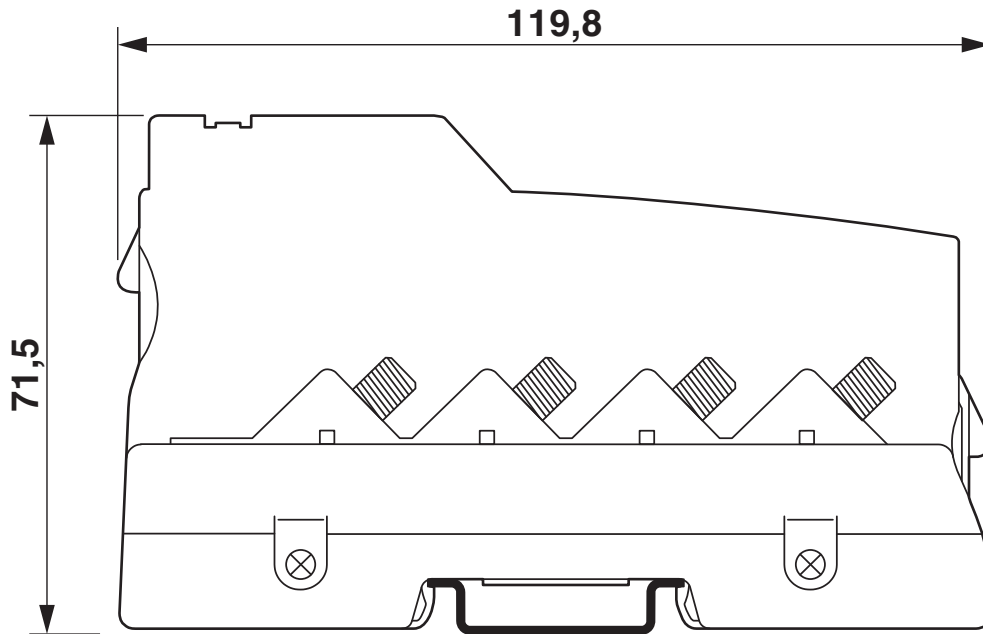
2861124

<https://www.phoenixcontact.com/us/products/2861124>

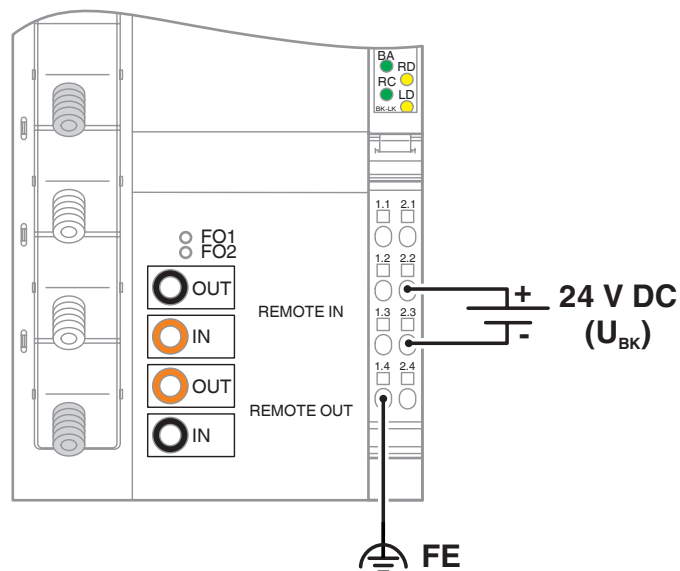
Mounting type	DIN rail mounting
---------------	-------------------

Drawings

Dimensional drawing



Connection diagram

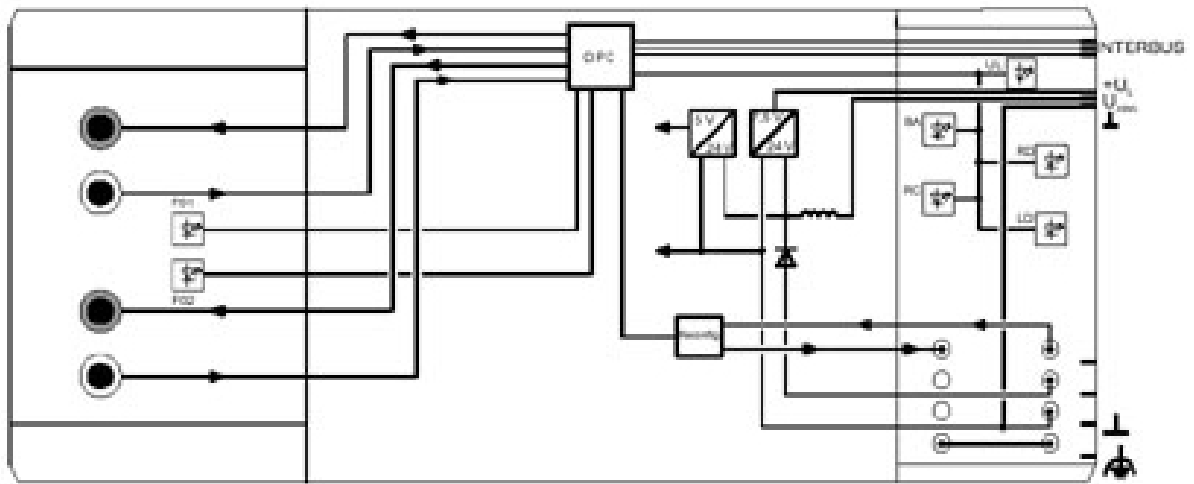


IBS IL 24 BK-LK/45-2MBD - Bus coupler

2861124

<https://www.phoenixcontact.com/us/products/2861124>

Block diagram



IBS IL 24 BK-LK/45-2MBD - Bus coupler



2861124

<https://www.phoenixcontact.com/us/products/2861124>

Environmental product compliance

EU REACH SVHC

REACH candidate substance (CAS No.)	No substance above 0.1 wt%
-------------------------------------	----------------------------

Phoenix Contact 2026 © - all rights reserved

<https://www.phoenixcontact.com>

Phoenix Contact USA
586 Fulling Mill Road
Middletown, PA 17057, United States
(+717) 944-1300
info@phoenixcon.com