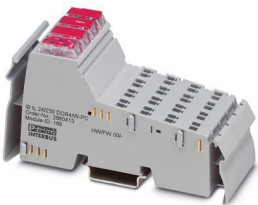


IB IL 24/230 DOR4/W-PC - Inline terminal

2860413

<https://www.phoenixcontact.com/us/products/2860413>

Please be informed that the data shown in this PDF document is generated from our online catalog. Please find the complete data in the user documentation. Our general terms of use for downloads are valid.



Inline digital output terminal block, without accessories, 4 relay changeover contacts, 5 - 253 V AC, 3 A

Commercial data

Item number	2860413
Packing unit	1 pc
Note	Made to order (non-returnable)
Sales key	NULL
Product key	DRI133
GTIN	4017918890353
Weight per piece (including packing)	162.6 g
Weight per piece (excluding packing)	135.61 g
Customs tariff number	85389091
Country of origin	DE

2860413

<https://www.phoenixcontact.com/us/products/2860413>

Technical data

Product properties

Type	modular
No. of channels	4

System properties

Programming data

Length code (hex)	41
ID code (dec.)	189
Length code (dec)	65
Process data channel	4 bit
Input address area	0 Byte
Output address area	4 bit
Parameter channel (PCP)	0 bit
Register length (bus)	4 bit

Fieldbus data telegram

Required parameter data	3 Byte
-------------------------	--------

Electrical properties

Potentials: Communications power (U_L)

Supply voltage	7.5 V DC (via voltage jumper)
Current draw	max. 187 mA

Electrical isolation/isolation of the voltage ranges

Test voltage: Relay contact / Bus logics	4 kV, 50 Hz, 1 min
Test voltage: Contact/contact	1 kV, 50 Hz, 1 min
Test voltage: Contact / PE	1 kV, 50 Hz, 1 min

Output data

Digital:

Output name	Relay output
Connection method	Spring-cage connection
Connection technology	floating changeover relay contact
Number of outputs	4
Protective circuit	Overload protection, short-circuit protection of outputs
Maximum output current per channel	3 A
Output voltage range	5 V AC ... 253 V AC

Connection data

Inline connector

Connection method	Spring-cage connection
-------------------	------------------------

IB IL 24/230 DOR4/W-PC - Inline terminal



2860413

<https://www.phoenixcontact.com/us/products/2860413>

Conductor cross-section, rigid	0.08 mm ² ... 1.5 mm ²
Conductor cross-section, flexible	0.08 mm ² ... 1.5 mm ²
Conductor cross-section AWG	28 ... 16

Interfaces

Inline local bus

Connection method	Inline data jumper
-------------------	--------------------

Dimensions

Dimensional drawing	
Width	48.8 mm
Height	119.8 mm
Depth	71.5 mm
Note on dimensions	Housing dimensions

Material specifications

Color	gray
-------	------

Environmental and real-life conditions

Ambient conditions

Ambient temperature (operation)	-25 °C ... 55 °C
Degree of protection	IP20
Air pressure (operation)	70 kPa ... 106 kPa (up to 3000 m above sea level)
Air pressure (storage/transport)	70 kPa ... 106 kPa (up to 3000 m above sea level)
Ambient temperature (storage/transport)	-25 °C ... 85 °C
Permissible humidity (operation)	75 % ... 85 % (in the range of -25°C ... +55°C, appropriate measures against increased humidity (> 85%) must be taken.)
Permissible humidity (storage/transport)	75 % ... 85 % (slight temporary condensation may sometimes appear on the housing)

Standards and regulations

Protection class	I (IEC 61140, EN 61140, VDE 0140-1)
------------------	-------------------------------------

Mounting

Mounting type	DIN rail mounting
---------------	-------------------

IB IL 24/230 DOR4/W-PC - Inline terminal



2860413

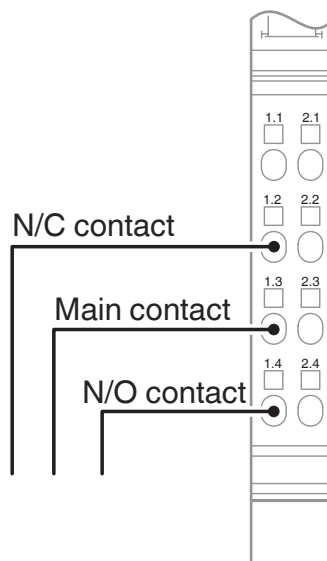
<https://www.phoenixcontact.com/us/products/2860413>

Drawings

Dimensional drawing



Connection diagram



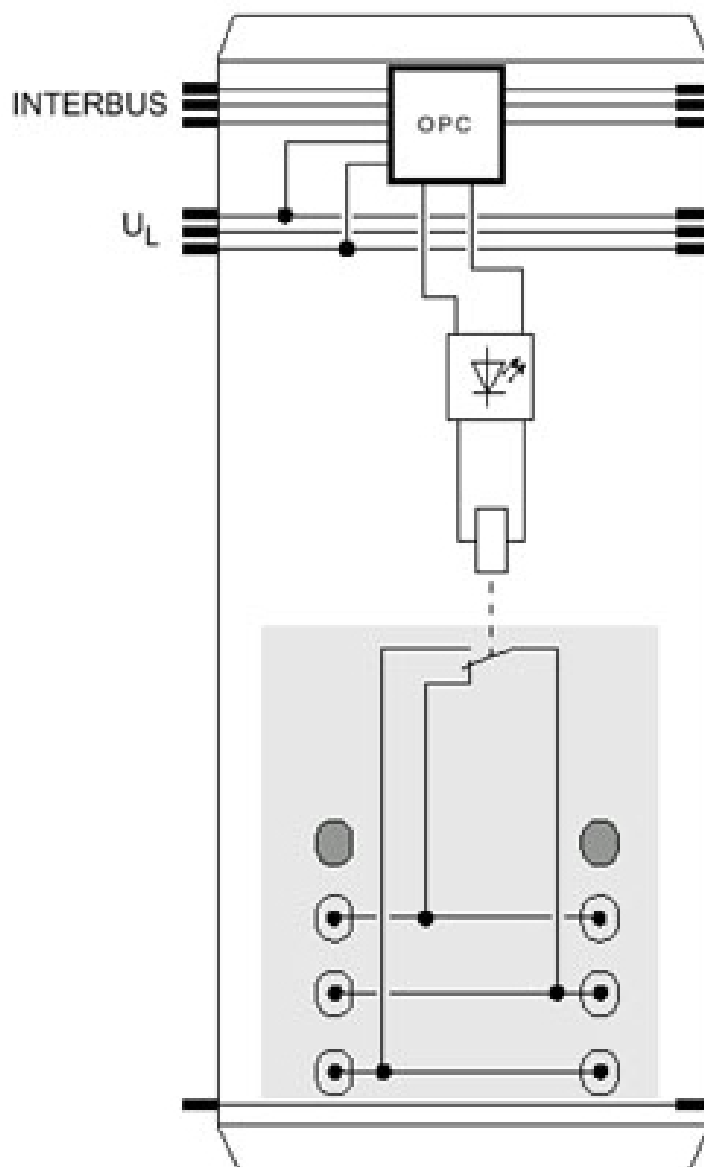
IB IL 24/230 DOR4/W-PC - Inline terminal

2860413

<https://www.phoenixcontact.com/us/products/2860413>



Block diagram



IB IL 24/230 DOR4/W-PC - Inline terminal



2860413

<https://www.phoenixcontact.com/us/products/2860413>

Environmental product compliance

EU REACH SVHC

REACH candidate substance (CAS No.)	No substance above 0.1 wt%
-------------------------------------	----------------------------

Phoenix Contact 2026 © - all rights reserved

<https://www.phoenixcontact.com>

Phoenix Contact USA
586 Fulling Mill Road
Middletown, PA 17057, United States
(+717) 944-1300
info@phoenixcon.com