

# VAL-MS 350VF/3+1-FM - Type 2 surge arrester



2858632

<https://www.phoenixcontact.com/us/products/2858632>

Please be informed that the data shown in this PDF document is generated from our online catalog. Please find the complete data in the user documentation. Our general terms of use for downloads are valid.



Surge voltage arrester 4-channel, for mounting on NS 35/7.5, with remote indicator contact. 350 V AC

## Commercial data

Item number	2858632
Packing unit	1 pc
Minimum order quantity	1 pc
Product key	CL1321
GTIN	4017918900441
Weight per piece (including packing)	385.6 g
Weight per piece (excluding packing)	368.9 g
Country of origin	DE

# VAL-MS 350VF/3+1-FM - Type 2 surge arrester



2858632

<https://www.phoenixcontact.com/us/products/2858632>

## Technical data

### Product properties

Product type	Surge arrester
Product family	VALVETRAB MS
IEC test classification	II T2
EN type	T2
IEC power supply system	TT TN-S
Type	DIN rail module, two-section, divisible
Number of positions	4
Surge protection fault message	Optical, remote indicator contact
Number of ports	One

### Insulation characteristics

Overvoltage category	III
Pollution degree	2

### Electrical properties

Nominal frequency $f_N$	50 Hz (60 Hz)
-------------------------	---------------

### Indicator/remote signaling

Connection name	Remote fault indicator contact
Switching function	Changeover contact
Operating voltage	5 V AC ... 250 V AC 30 V DC
Operating current	5 mA AC ... 750 mA AC 1 A DC

### Connection data

Connection method	Screw connection
Screw thread	M5
Tightening torque	3 Nm (1.5 mm <sup>2</sup> ... 16 mm <sup>2</sup> ) 4.5 Nm (25 mm <sup>2</sup> ... 35 mm <sup>2</sup> )
Stripping length	16 mm
Conductor cross-section flexible	1.5 mm <sup>2</sup> ... 25 mm <sup>2</sup>
Conductor cross-section rigid	1.5 mm <sup>2</sup> ... 35 mm <sup>2</sup>
Conductor cross-section AWG	15 ... 2
Connection method	Fork-type cable lug
Conductor cross-section flexible	1.5 mm <sup>2</sup> ... 16 mm <sup>2</sup>

### Remote fault indicator contact

Connection method	Plug-in/screw connection via COMBICON
Screw thread	M2

# VAL-MS 350VF/3+1-FM - Type 2 surge arrester

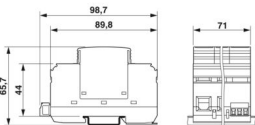


2858632

<https://www.phoenixcontact.com/us/products/2858632>

Tightening torque	0.25 Nm
Stripping length	7 mm
Conductor cross-section flexible	0.14 mm <sup>2</sup> ... 1.5 mm <sup>2</sup>
Conductor cross-section rigid	0.14 mm <sup>2</sup> ... 1.5 mm <sup>2</sup>
Conductor cross-section AWG	28 ... 16

## Dimensions

Dimensional drawing	
Width	71 mm
Height	98.7 mm
Depth	65.7 mm (incl. DIN rail 7.5 mm)
Horizontal pitch	4 Div.

## Material specifications

Color	black (RAL 9005)
Flammability rating according to UL 94	V-0
CTI value of material	600
Insulating material	PA 6.6/PBT
Material group	I
Housing material	PA 6.6 PBT

## Protective circuit

Mode of protection	L-N
	L-PE
	N-PE
Direction of action	3L-N & N-PE
Nominal voltage $U_N$	240/415 V AC (TN-S)
	240/415 V AC (TT)
Nominal frequency $f_N$	50 Hz (60 Hz)
Maximum continuous operating voltage $U_C$ (L-N)	350 V AC
Maximum continuous operating voltage $U_C$ (L-PE)	350 V AC
Maximum continuous operating voltage $U_C$ (N-PE)	260 V AC
Rated load current $I_L$	80 A
Protective conductor current $I_{PE}$	$\leq 5 \mu A$
Standby power consumption $P_C$	$\leq 0.6 \text{ mVA}$
Nominal discharge current $I_n$ (8/20) $\mu s$ (L-N)	10 kA
Nominal discharge current $I_n$ (8/20) $\mu s$ (L-PE)	10 kA
Nominal discharge current $I_n$ (8/20) $\mu s$ (N-PE)	20 kA
Maximum discharge current $I_{max}$ (8/20) $\mu s$ (L-N)	20 kA

# VAL-MS 350VF/3+1-FM - Type 2 surge arrester



2858632

<https://www.phoenixcontact.com/us/products/2858632>

Maximum discharge current $I_{max}$ (8/20) $\mu$ s (L-PE)	20 kA
Maximum discharge current $I_{max}$ (8/20) $\mu$ s (N-PE)	40 kA
Follow current interrupt rating $I_{fi}$ (N-PE)	100 A
Short-circuit current rating $I_{SCCR}$	25 kA
Voltage protection level $U_p$ (L-N)	$\leq 1.5$ kV
Voltage protection level $U_p$ (L-PE)	$\leq 2$ kV
Voltage protection level $U_p$ (N-PE)	$\leq 1.5$ kV
Residual voltage $U_{res}$ (L-N)	$\leq 1.2$ kV (at $I_n$ )
	$\leq 1.2$ kV (at 10 kA)
	$\leq 1.1$ kV (at 5 kA)
Residual voltage $U_{res}$ (L-PE)	$\leq 1.35$ kV (at $I_n$ )
	$\leq 1.35$ kV (at 10 kA)
	$\leq 1.2$ kV (at 5 kA)
Residual voltage $U_{res}$ (N-PE)	$\leq 0.4$ kV (at $I_n$ )
	$\leq 0.25$ kV (at 10 kA)
	$\leq 0.15$ kV (at 5 kA)
	$\leq 0.1$ kV (at 3 kA)
TOV behavior at $U_T$ (L-N)	415 V AC (5 s / withstand mode)
	440 V AC (120 min / safe failure mode)
TOV behavior at $U_T$ (N-PE)	1200 V AC (200 ms / withstand mode)
Response time $t_A$	$\leq 100$ ns
Max. backup fuse with V-type through wiring	80 A (gG)
Max. backup fuse with branch wiring	125 A (gG)

## Additional technical data

Impulse discharge current (10/350) $\mu$ s, charge	0.25 As
Impulse discharge current (10/350) $\mu$ s, specific energy	62.5 J/ $\Omega$
Impulse discharge current (10/350) $\mu$ s, peak value $I_{imp}$	500 A

## Environmental and real-life conditions

### Ambient conditions

Degree of protection	IP20 (only when all terminal points are used)
Ambient temperature (operation)	-40 °C ... 80 °C
Ambient temperature (storage/transport)	-40 °C ... 80 °C
Altitude	$\leq 2000$ m (amsl)
Permissible humidity (operation)	5 % ... 95 %
Shock (operation)	25g (Half-sine / 11 ms / 3x $\pm$ X, $\pm$ Y, $\pm$ Z)
Vibration (operation)	5g (10 ... 500 Hz / 2.5 h / X, Y, Z)

## Approvals

### UL specifications

Maximum continuous operating voltage MCOV (L-L)	700 V AC
Maximum continuous operating voltage MCOV (L-N)	350 V AC
Maximum continuous operating voltage MCOV (L-G)	350 V AC

# VAL-MS 350VF/3+1-FM - Type 2 surge arrester



2858632

<https://www.phoenixcontact.com/us/products/2858632>

Maximum continuous operating voltage MCOV (N-G)	260 V AC
Nominal discharge current $I_n$ (L-L)	10 kA
Nominal discharge current $I_n$ (L-N)	10 kA
Nominal discharge current $I_n$ (L-G)	10 kA
Nominal discharge current $I_n$ (N-G)	10 kA
Mode of protection	L-L
	L-N
	L-G
	N-G
Nominal voltage	240/415 V AC
Power distribution system	Wye
Nominal frequency	50/60 Hz
Measured limiting voltage MLV (L-L)	2420 V
Measured limiting voltage MLV (L-N)	1610 V
Measured limiting voltage MLV (L-G)	2030 V
Measured limiting voltage MLV (N-G)	870 V
SPD Type	4CA

## UL indicator/remote signaling

Operating voltage	125 V AC
AC operating current	1 A AC

## UL connection data

Tightening torque	30 lb <sub>F</sub> ·in.
Conductor cross-section AWG	14 ... 2

## Standards and regulations

Standards/specifications	IEC 61643-11
Note	2011
Standards/specifications	EN 61643-11
Note	2012

## Mounting

Mounting type	DIN rail: 35 mm
---------------	-----------------

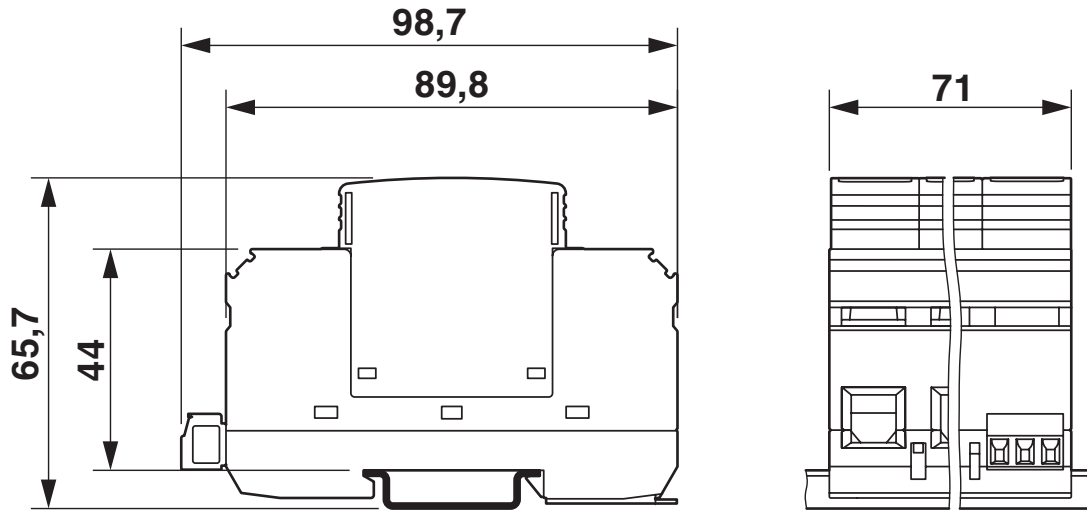
# VAL-MS 350VF/3+1-FM - Type 2 surge arrester

2858632

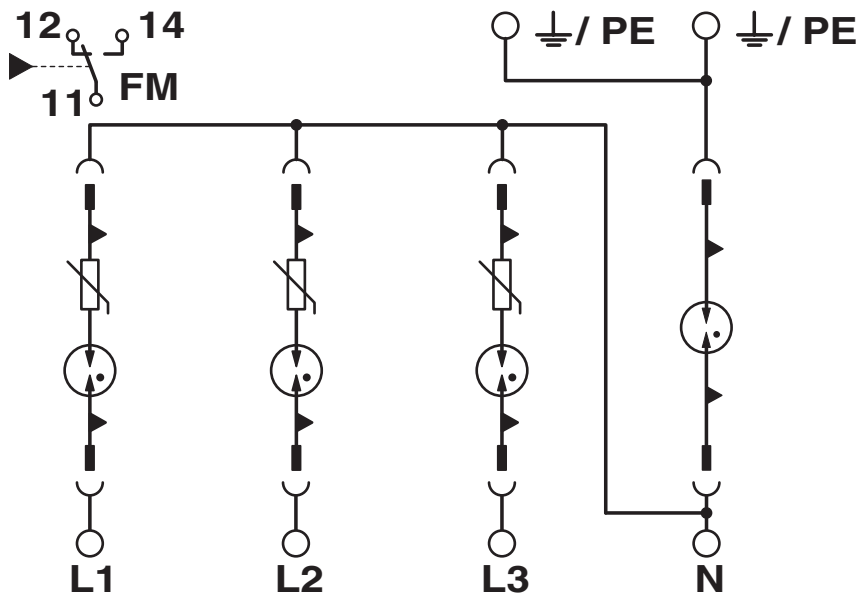
<https://www.phoenixcontact.com/us/products/2858632>

## Drawings

Dimensional drawing



Circuit diagram



# VAL-MS 350VF/3+1-FM - Type 2 surge arrester



2858632

<https://www.phoenixcontact.com/us/products/2858632>

## Approvals

To download certificates, visit the product detail page: <https://www.phoenixcontact.com/us/products/2858632>



**cUL Recognized**  
Approval ID: FILE E 330181



**UL Recognized**  
Approval ID: FILE E 330181



**IECEE CB Scheme**  
Approval ID: AT 2905/M1

**CCA**

Approval ID: NTR-AT 1947-A



**KEMA-KEUR**  
Approval ID: 71-148002



**ÖVE**  
Approval ID: 18583-001-17

**UAE-RoHS**

Approval ID: 22-09-51251



**ÖVE**  
Approval ID: 18583-001-18

# VAL-MS 350VF/3+1-FM - Type 2 surge arrester



2858632

<https://www.phoenixcontact.com/us/products/2858632>

## Classifications

### ECLASS

ECLASS-13.0	27171202
ECLASS-15.0	27171202

### ETIM

ETIM 10.0	EC000941
-----------	----------

### UNSPSC

UNSPSC 21.0	39121600
-------------	----------

# VAL-MS 350VF/3+1-FM - Type 2 surge arrester



2858632

<https://www.phoenixcontact.com/us/products/2858632>

## Environmental product compliance

### EU RoHS

Fulfills EU RoHS substance requirements	Yes, No exemptions
---	--------------------

### China RoHS

Environment friendly use period (EFUP)	EFUP-E
	No hazardous substances above the limits

### EU REACH SVHC

REACH candidate substance (CAS No.)	No substance above 0.1 wt%
-------------------------------------	----------------------------

### EF3.1 Climate Change

CO2e kg	11.425 kg CO2e
---------	----------------

Phoenix Contact 2026 © - all rights reserved  
<https://www.phoenixcontact.com>

Phoenix Contact USA  
586 Fulling Mill Road  
Middletown, PA 17057, United States  
(+717) 944-1300  
[info@phoenixcon.com](mailto:info@phoenixcon.com)