

# F-MS 12-UD ST - Type 2 surge protection plug



2858328

<https://www.phoenixcontact.com/us/products/2858328>

Please be informed that the data shown in this PDF document is generated from our online catalog. Please find the complete data in the user documentation. Our general terms of use for downloads are valid.

Surge protection plug type 2, with N-PE total current spark gap for base element.



## Commercial data

Item number	2858328
Packing unit	10 pc
Minimum order quantity	1 pc
Sales key	CL18
Product key	CL1321
GTIN	4017918878078
Weight per piece (including packing)	39.8 g
Weight per piece (excluding packing)	35.38 g
Customs tariff number	85363010
Country of origin	DE

# F-MS 12-UD ST - Type 2 surge protection plug

2858328

<https://www.phoenixcontact.com/us/products/2858328>

## Technical data

### Product properties

Product type	Replacement plug
Product family	VALVETRAB MS
IEC test classification	II T2
EN type	T2
IEC power supply system	TN TT
Type	DIN rail module, two-section, divisible
Surge protection fault message	optical
Arrester can be tested with CHECKMASTER from software version:	From SW rev. 1.10

### Insulation characteristics

Overvoltage category	III
Pollution degree	2

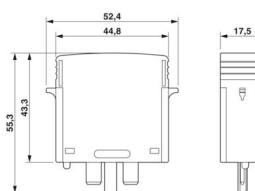
### Electrical properties

Nominal frequency $f_N$	50 Hz (60 Hz)
-------------------------	---------------

### Connection data

Connection method	pluggable
-------------------	-----------

### Dimensions

Dimensional drawing	
Width	17.5 mm
Height	52.4 mm
Depth	55.3 mm
Horizontal pitch	1 Div.

### Material specifications

Color	black (RAL 9005)
Flammability rating according to UL 94	V-0
CTI value of material	600
Insulating material	PA 6.6
Material group	I
Housing material	PA 6.6

# F-MS 12-UD ST - Type 2 surge protection plug



2858328

<https://www.phoenixcontact.com/us/products/2858328>

## Protective circuit

Mode of protection	N-PE
Direction of action	N-PE
Nominal voltage $U_N$	240/415 V AC (TN - only N-PE) 240/415 V AC (TT - only N-PE)
Nominal frequency $f_N$	50 Hz (60 Hz)
Maximum continuous operating voltage $U_C$	260 V AC
Protective conductor current $I_{PE}$	$\leq 5 \mu A$
Standby power consumption $P_C$	$\leq 1.5 \text{ mVA}$
Nominal discharge current $I_n$ (8/20) $\mu s$	20 kA
Maximum discharge current $I_{max}$ (8/20) $\mu s$	40 kA
Follow current interrupt rating $I_{fi}$	100 A (260 V)
Voltage protection level $U_p$	$\leq 1.5 \text{ kV}$
Residual voltage $U_{res}$	$\leq 0.4 \text{ kV}$ (at $I_n$ ) $\leq 0.25 \text{ kV}$ (at 10 kA) $\leq 0.15 \text{ kV}$ (at 5 kA) $\leq 0.1 \text{ kV}$ (at 3 kA)
Front-of-wave sparkover voltage at 6 kV (1.2/50) $\mu s$	$\leq 1.5 \text{ kV}$
TOV behavior at $U_T$	1200 V AC (200 ms / withstand mode)
Response time $t_A$	$\leq 100 \text{ ns}$

## Additional technical data

Maximum continuous operating voltage $U_C$	305 V AC
--	----------

## Environmental and real-life conditions

### Ambient conditions

Degree of protection	IP20
Ambient temperature (operation)	-40 °C ... 80 °C
Ambient temperature (storage/transport)	-40 °C ... 80 °C
Altitude	$\leq 2000 \text{ m}$ (amsl)
Permissible humidity (operation)	5 % ... 95 %
Shock (operation)	25g (Half-sine / 11 ms / 3x $\pm X$ , $\pm Y$ , $\pm Z$ )
Vibration (operation)	5g (10 ... 500 Hz / 2.5 h / X, Y, Z)

## Approvals

### UL specifications

Maximum continuous operating voltage MCOV (N-G)	260 V AC
Nominal discharge current $I_n$ (N-G)	20 kA
Mode of protection	N-G
Power distribution system	Single phase
Nominal frequency	50/60 Hz
Measured limiting voltage MLV (N-G)	1490 V
SPD Type	4CA

# F-MS 12-UD ST - Type 2 surge protection plug



2858328

<https://www.phoenixcontact.com/us/products/2858328>

## Standards and regulations

### Air clearances and creepage distances

Standards/regulations	EN 60664-1 / EN 61643-11
Standards/specifications	IEC 61643-11
Note	2011
Standards/specifications	EN 61643-11
Note	2012

## Mounting

Mounting type	on base element
---------------	-----------------

# F-MS 12-UD ST - Type 2 surge protection plug

2858328

<https://www.phoenixcontact.com/us/products/2858328>



## Drawings



Circuit diagram



1 = Remote indicator contact  
2 = base element

# F-MS 12-UD ST - Type 2 surge protection plug



2858328

<https://www.phoenixcontact.com/us/products/2858328>

## Approvals

To download certificates, visit the product detail page: <https://www.phoenixcontact.com/us/products/2858328>



**cUL Recognized**  
Approval ID: FILE E 330181



**UL Recognized**  
Approval ID: FILE E 330181



**IECEE CB Scheme**  
Approval ID: AT 2905/M1

**CCA**

Approval ID: NTR-AT 1947-A



**KEMA-KEUR**  
Approval ID: 71-148002



**DNV GL**  
Approval ID: TAE000041M



**CSA**  
Approval ID: 13631



**ÖVE**  
Approval ID: 18583-001-17



**ÖVE**  
Approval ID: 18583-001-18

# F-MS 12-UD ST - Type 2 surge protection plug



2858328

<https://www.phoenixcontact.com/us/products/2858328>

## Classifications

### ECLASS

ECLASS-13.0	27171292
ECLASS-15.0	27171292

### ETIM

ETIM 10.0	EC002496
-----------	----------

### UNSPSC

UNSPSC 21.0	39121600
-------------	----------

# F-MS 12-UD ST - Type 2 surge protection plug



2858328

<https://www.phoenixcontact.com/us/products/2858328>

## Environmental product compliance

### EU RoHS

Fulfills EU RoHS substance requirements	Yes, No exemptions
---	--------------------

### China RoHS

Environment friendly use period (EFUP)	EFUP-E
	No hazardous substances above the limits

### EU REACH SVHC

REACH candidate substance (CAS No.)	No substance above 0.1 wt%
-------------------------------------	----------------------------

Phoenix Contact 2026 © - all rights reserved  
<https://www.phoenixcontact.com>

Phoenix Contact USA  
586 Fulling Mill Road  
Middletown, PA 17057, United States  
(+717) 944-1300  
[info@phoenixcon.com](mailto:info@phoenixcon.com)