

# MNT-POWERLINE - Type 3 surge protection device



2858001

<https://www.phoenixcontact.com/us/products/2858001>

Please be informed that the data shown in this PDF document is generated from our online catalog. Please find the complete data in the user documentation. Our general terms of use for downloads are valid.



Surge protection for modems in data transmission systems, such as POWERLINE and HomePlug, socket attachment plug (German-style grounding connector in acc. with VDE) for use in: D, A, I, NL, S, E, N, FIN.

## Commercial data

Item number	2858001
Packing unit	1 pc
Note	Made to order (non-returnable)
Sales key	NULL
Product key	CL1421
GTIN	4017918900656
Weight per piece (including packing)	169.2 g
Weight per piece (excluding packing)	119.25 g
Customs tariff number	85363010
Country of origin	DE

# MNT-POWERLINE - Type 3 surge protection device



2858001

<https://www.phoenixcontact.com/us/products/2858001>

## Technical data

### Product properties

Product type	Device protection
Product family	MAINTRAB
Type	Intermediate plug
For country-specific use in	D, A, NL, E, P
Surge protection fault message	optical
IEC test classification	III
	T3
EN type	T3

### Dimensions

Dimensional drawing	
Width	63 mm
Height	79 mm
Depth	103.5 mm

### Material specifications

Flammability rating according to UL 94	V0/HB
--	-------

### Protective circuit

Direction of action	1L-N & N-PE
Nominal frequency $f_N$	50 Hz
	60 Hz
Maximum continuous operating voltage $U_C$ (L-N)	260 V AC
Maximum continuous operating voltage $U_C$ (L-PE)	260 V AC
Nominal current $I_N$	16 A (30 °C)
Rated load current $I_L$	16 A (30 °C)
Protective conductor current $I_{PE}$	$\leq 1 \mu A$
Operating effective current $I_C$ at $U_C$	$\leq 4$ mA
Nominal discharge current $I_n$ (8/20) $\mu s$	3 kA
Nominal discharge current $I_n$ (8/20) $\mu s$ (L-N)	3 kA
Nominal discharge current $I_n$ (8/20) $\mu s$ (L-PE)	3 kA
Nominal discharge current $I_n$ (8/20) $\mu s$ (N-PE)	3 kA
Maximum discharge current $I_{max}$ (8/20) $\mu s$	5 kA (total current)
Energy absorption symmetrical	170 J
Energy absorption, asymmetrical	85 J

# MNT-POWERLINE - Type 3 surge protection device



2858001

<https://www.phoenixcontact.com/us/products/2858001>

Voltage protection level $U_p$ (L-N)	$\leq 1.1$ kV
Voltage protection level $U_p$ (L-PE)	$\leq 1.5$ kV
Voltage protection level $U_p$ (L/N-PE)	$\leq 1.5$ kV
Voltage protection level $U_p$ (N-PE)	$\leq 1.5$ kV
Residual voltage at $I_n$	$\leq 0.6$ kV (L-N)
	$\leq 1.2$ kV (L-PE)
	$\leq 0.6$ kV (N-PE)
Response time $t_A$ (L-N)	$\leq 25$ ns
Response time $t_A$ (L-PE)	$\leq 100$ ns
Max. required back-up fuse	16 A (gL/C)

## Environmental and real-life conditions

### Ambient conditions

Degree of protection	IP20 (child-proof)
Ambient temperature (operation)	-25 °C ... 75 °C

## Standards and regulations

### Standards

Standards/regulations	IEC 61643-1
	EN 61643-11/A11
	IEC 60884-1
	DIN VDE 0620-1

### Air clearances and creepage distances

Standards/regulations	VDE 0110-1 / IEC 60664-1
Standards/specifications	IEC 61643-1
Note	2005
Standards/specifications	EN 61643-11/A11
Note	2007
Standards/specifications	IEC 60884-1
Standards/specifications	DIN VDE 0620-1

## Mounting

Mounting type	Plugging into the mains socket
---------------	--------------------------------

# MNT-POWERLINE - Type 3 surge protection device

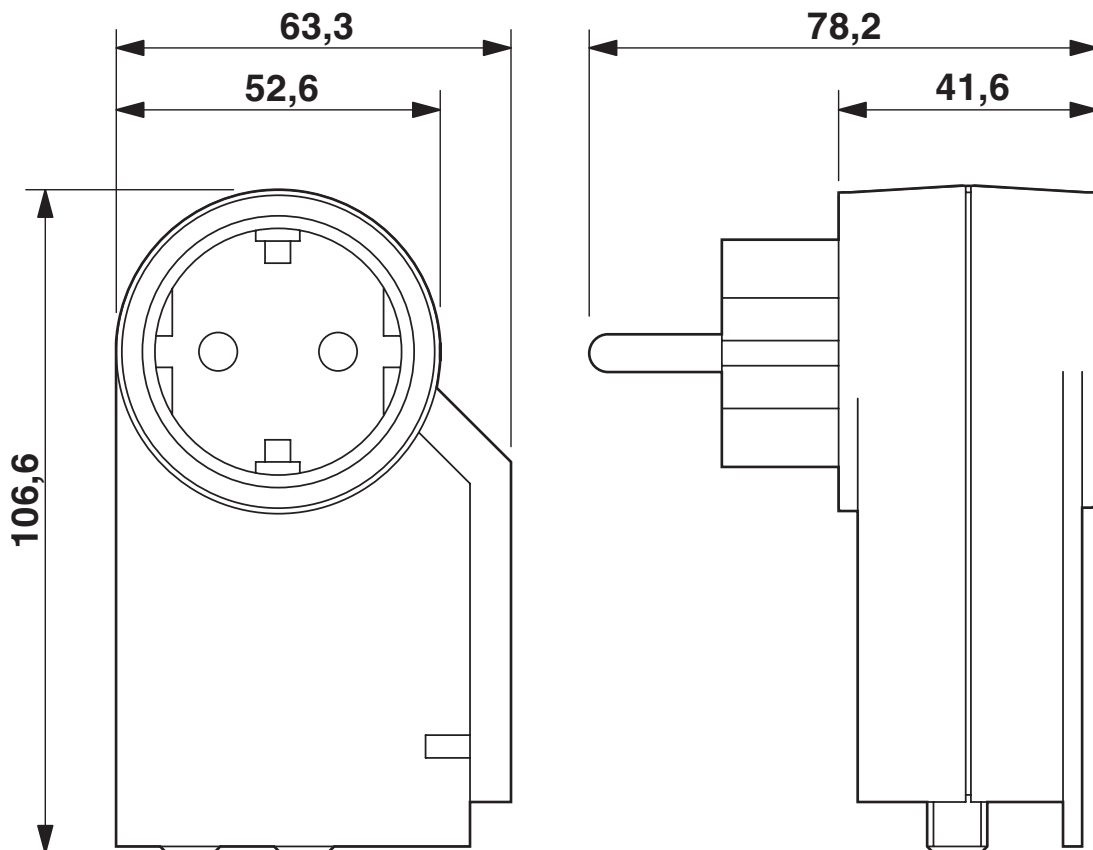


2858001

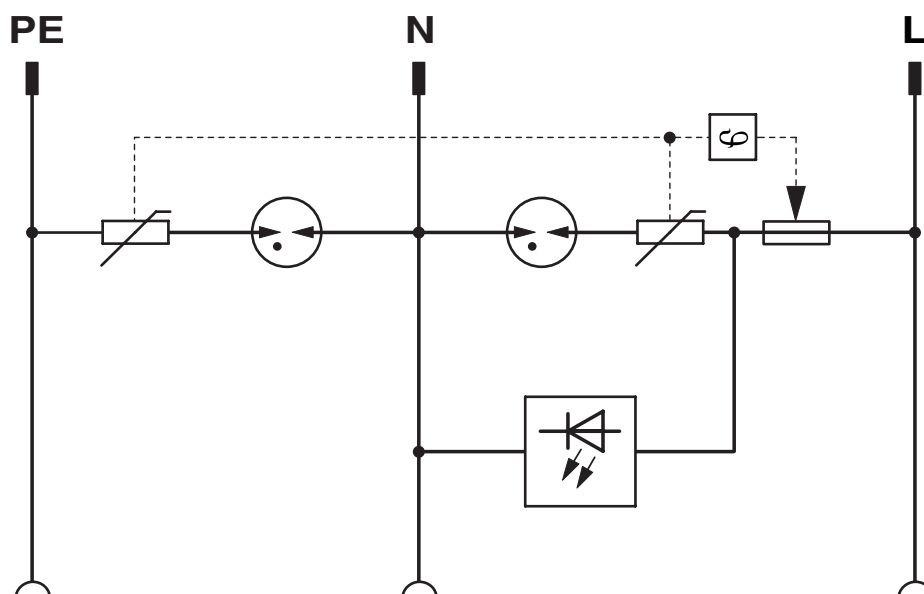
<https://www.phoenixcontact.com/us/products/2858001>

## Drawings

Dimensional drawing



Circuit diagram



# MNT-POWERLINE - Type 3 surge protection device



2858001

<https://www.phoenixcontact.com/us/products/2858001>

## Environmental product compliance

EU REACH SVHC

REACH candidate substance (CAS No.)	No substance above 0.1 wt%
-------------------------------------	----------------------------

Phoenix Contact 2026 © - all rights reserved

<https://www.phoenixcontact.com>

Phoenix Contact USA  
586 Fulling Mill Road  
Middletown, PA 17057, United States  
(+717) 944-1300  
[info@phoenixcon.com](mailto:info@phoenixcon.com)