

PT PE/S+1X2-BE - Surge protection base-element



2856265

<https://www.phoenixcontact.com/us/products/2856265>

Please be informed that the data shown in this PDF document is generated from our online catalog. Please find the complete data in the user documentation. Our general terms of use for downloads are valid.



Base element for protective plug PT with surge voltage device protection for the power supply unit and one 2-wire floating signal circuit, mounting on NS 35/7.5 and NS 35/15, housing width: 17.5 mm

Your advantages

- Maximum ease of maintenance, thanks to the 2-piece design
- Easy selection for all possible demands in MCR applications with a complete product portfolio
- The signal is not influenced during maintenance work, thanks to the impedance-neutral insertion and removal of protective plugs

Commercial data

Item number	2856265
Packing unit	10 pc
Minimum order quantity	1 pc
Sales key	CL21
Product key	CL2111
GTIN	4017918819675
Weight per piece (including packing)	52.326 g
Weight per piece (excluding packing)	45.729 g
Customs tariff number	85366990
Country of origin	DE

PT PE/S+1X2-BE - Surge protection base-element



2856265

<https://www.phoenixcontact.com/us/products/2856265>

Technical data

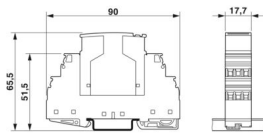
Product properties

Product type	Base element
Product family	PLUGTRAB PT
Type	DIN rail module, two-section, divisible
Number of positions	2
Surge protection fault message	none
Wire pairs per module	1

Connection data

Connection method	Screw connection
Screw thread	M3
Tightening torque	0.5 Nm
Conductor cross-section flexible	0.2 mm ² ... 2.5 mm ²
Conductor cross-section rigid	0.2 mm ² ... 4 mm ²
Conductor cross-section AWG	24 ... 12
Connection method	Screw connection
Screw thread	M3
Tightening torque	0.8 Nm
Conductor cross-section flexible	0.2 mm ² ... 2.5 mm ²
Conductor cross-section rigid	0.2 mm ² ... 4 mm ²
Conductor cross-section AWG	24 ... 12

Dimensions

Dimensional drawing	
Width	17.7 mm
Height	90 mm
Depth	52 mm
Horizontal pitch	1 Div.
Complete module width	17.7 mm
Complete module height	90 mm
Complete module depth	65.5 mm

Material specifications

Color	black (RAL 9005) copper color
Flammability rating according to UL 94	V-0

PT PE/S+1X2-BE - Surge protection base-element



2856265

<https://www.phoenixcontact.com/us/products/2856265>

Mechanical properties

Mechanical data

Open side panel	No
-----------------	----

Protective circuit

Information technology

Surge protection fault message	none
--------------------------------	------

Environmental and real-life conditions

Ambient conditions

Degree of protection	IP20
Ambient temperature (operation)	-40 °C ... 85 °C

Standards and regulations

Standards/specifications	EN 61643-21/A1
Note	2009

Mounting

Mounting type	DIN rail: 35 mm
---------------	-----------------

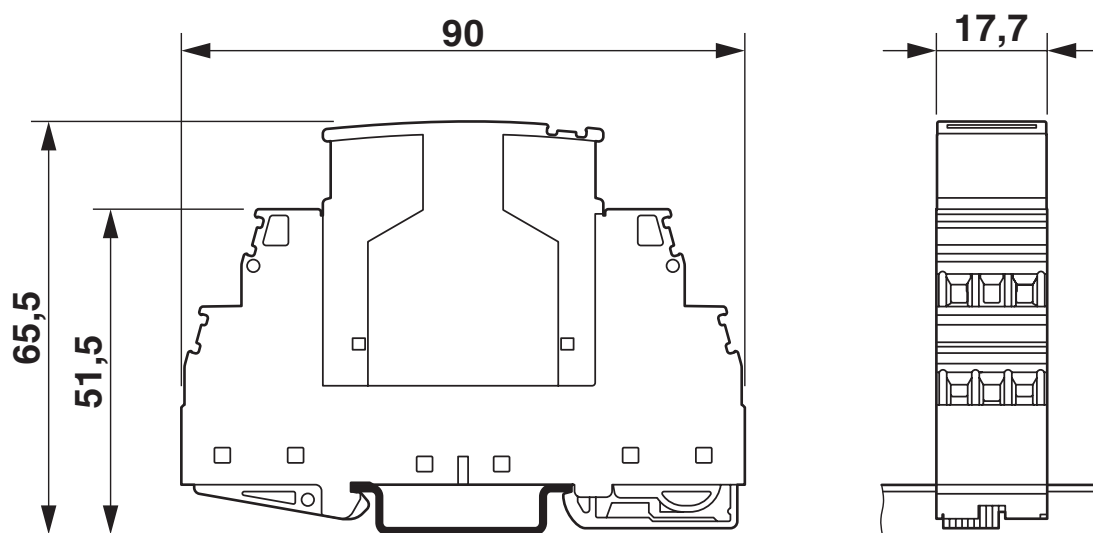
PT PE/S+1X2-BE - Surge protection base-element

2856265

<https://www.phoenixcontact.com/us/products/2856265>

Drawings

Dimensional drawing



The figure shows the complete module consisting of a base element and connector

PT PE/S+1X2-BE - Surge protection base-element



2856265

<https://www.phoenixcontact.com/us/products/2856265>

Classifications

ECLASS

ECLASS-13.0	27171592
ECLASS-15.0	27171592

ETIM

ETIM 10.0	EC002497
-----------	----------

UNSPSC

UNSPSC 21.0	39121600
-------------	----------

PT PE/S+1X2-BE - Surge protection base-element



2856265

<https://www.phoenixcontact.com/us/products/2856265>

Environmental product compliance

EU RoHS

Fulfills EU RoHS substance requirements	Yes, No exemptions
---	--------------------

China RoHS

Environment friendly use period (EFUP)	EFUP-E
	No hazardous substances above the limits

EU REACH SVHC

REACH candidate substance (CAS No.)	No substance above 0.1 wt%
-------------------------------------	----------------------------

Phoenix Contact 2026 © - all rights reserved
<https://www.phoenixcontact.com>

Phoenix Contact USA
586 Fulling Mill Road
Middletown, PA 17057, United States
(+717) 944-1300
info@phoenixcon.com