

# PT 1X2+F-BE - Surge protection base-element

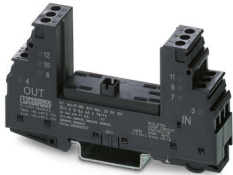


2856126

<https://www.phoenixcontact.com/us/products/2856126>

Please be informed that the data shown in this PDF document is generated from our online catalog. Please find the complete data in the user documentation. Our general terms of use for downloads are valid.

Base element for protective plug PT with protective circuit for a 2-core floating signal circuit. Integrated gas arrester as coarse protection between GND and PE. Mounting on NS 35/7.5 und NS 35/15, housing width: 17.5 mm.



## Your advantages

- Maximum ease of maintenance, thanks to the 2-piece design
- Easy selection for all possible demands in MCR applications with a complete product portfolio
- The signal is not influenced during maintenance work, thanks to the impedance-neutral insertion and removal of protective plugs

## Commercial data

Item number	2856126
Packing unit	10 pc
Minimum order quantity	1 pc
Sales key	CL21
Product key	CL2111
GTIN	4017918599270
Weight per piece (including packing)	55.2 g
Weight per piece (excluding packing)	46.381 g
Customs tariff number	85366990
Country of origin	DE

# PT 1X2+F-BE - Surge protection base-element



2856126

<https://www.phoenixcontact.com/us/products/2856126>

## Technical data

### Notes

Notes on operation	In the base elements <b>PT...+F-BE</b> , the connections 9/10 (GND) are linked to the mounting foot via a gas-filled surge arrester.
--------------------	--

### Product properties

Product type	Base element
Product family	PLUGTRAB PT
Type	Base element, DIN rail mounting
Number of positions	2
Surge protection fault message	none
Wire pairs per module	1

### Insulation characteristics

Overvoltage category	III
Pollution degree	2

### Electrical properties

Nominal voltage $U_N$	48 V DC
-----------------------	---------

### Connection data

Connection method	Screw connection
Screw thread	M3
Tightening torque	0.5 Nm
Conductor cross-section flexible	0.2 mm <sup>2</sup> ... 2.5 mm <sup>2</sup>
Conductor cross-section rigid	0.2 mm <sup>2</sup> ... 4 mm <sup>2</sup>
Conductor cross-section AWG	24 ... 12

### Dimensions

Dimensional drawing	
Width	17.7 mm
Height	90 mm
Depth	51.5 mm (incl. DIN rail 7.5 mm)
Horizontal pitch	1 Div.

### Material specifications

Color	black (RAL 9005) copper color
Flammability rating according to UL 94	V-0

# PT 1X2+F-BE - Surge protection base-element



2856126

<https://www.phoenixcontact.com/us/products/2856126>

Housing material	PA 6.6
------------------	--------

## Mechanical properties

### Mechanical data

Open side panel	No
-----------------	----

## Protective circuit

Direction of action	Signal Ground/Shield-Earth Ground
Nominal voltage $U_N$	48 V DC
Maximum continuous operating voltage $U_C$	53 V DC
	37 V AC
Rated current	450 mA (45 °C)
Resistance per path	2.2 $\Omega$ $\pm$ 10 %
Surge protection fault message	none
Max. required back-up fuse	500 mA (T)

## Environmental and real-life conditions

### Ambient conditions

Degree of protection	IP20
Ambient temperature (operation)	-40 °C ... 85 °C
Ambient temperature (storage/transport)	-40 °C ... 85 °C
Altitude	$\leq$ 2000 m (amsl)

## Approvals

### Conformity/Approvals

ATEX	Ⓜ II 3 G Ex nA II T6/T4 X
------	---------------------------

## Standards and regulations

Standards/specifications	IEC 61643-21
Note	2000 + corrigendum 2001 + A1:2008, modified + A2:2012
Standards/specifications	EN 61643-21
Note	2001 + A1:2009 + A2:2013
Standards/specifications	GB/T 3836.1
Note	2021
Standards/specifications	GB/T 3836.3
Note	2021

## Mounting

Mounting type	DIN rail: 35 mm
---------------	-----------------

# PT 1X2+F-BE - Surge protection base-element

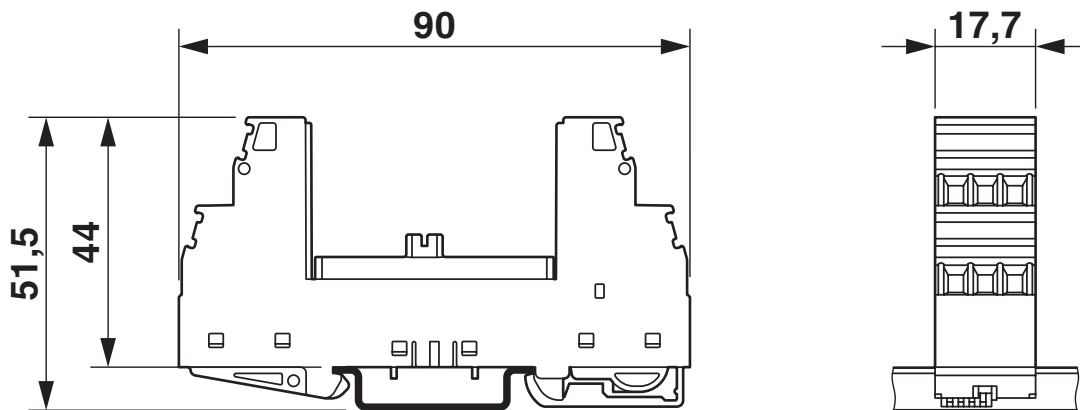


2856126

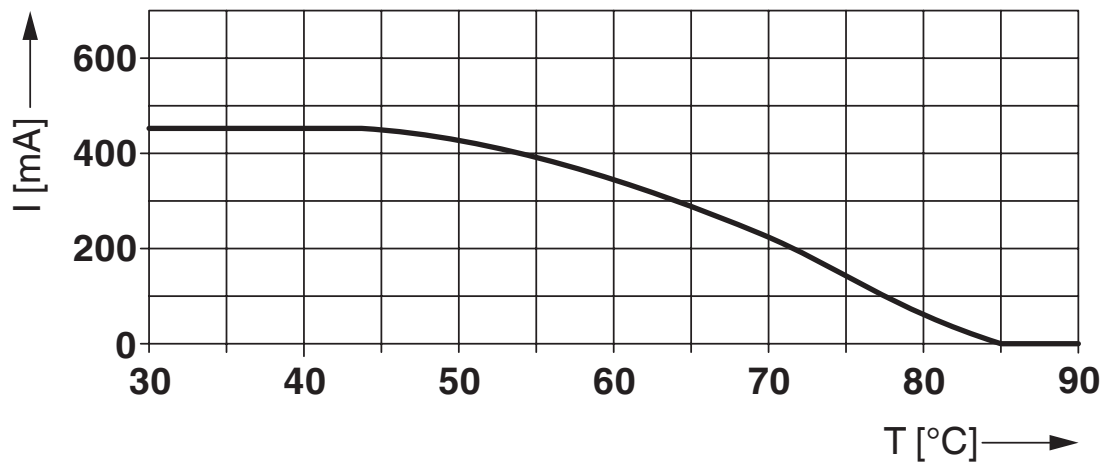
<https://www.phoenixcontact.com/us/products/2856126>

## Drawings

Dimensional drawing



Diagram



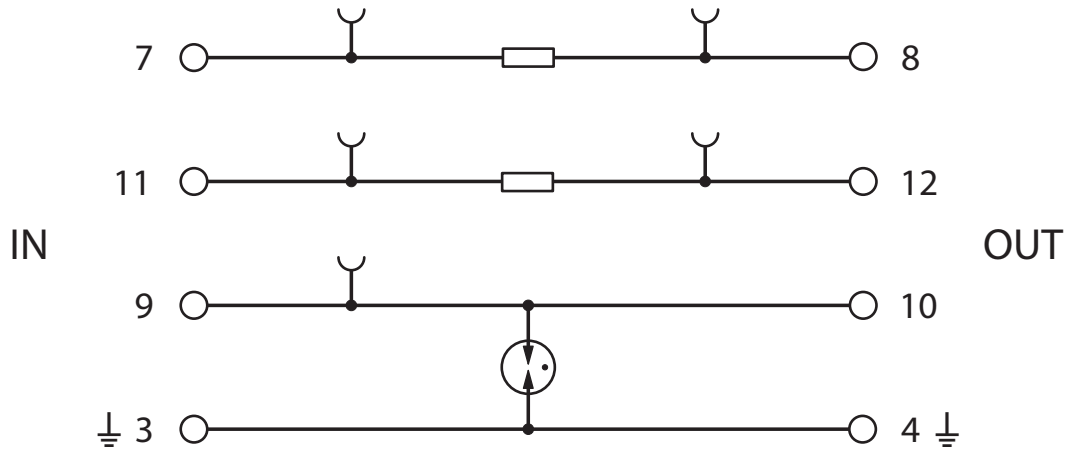
# PT 1X2+F-BE - Surge protection base-element



2856126

<https://www.phoenixcontact.com/us/products/2856126>

Circuit diagram



# PT 1X2+F-BE - Surge protection base-element



2856126

<https://www.phoenixcontact.com/us/products/2856126>

## Approvals

To download certificates, visit the product detail page: <https://www.phoenixcontact.com/us/products/2856126>



**DNV GL**

Approval ID: TAE00001N6



**UL Listed**

Approval ID: FILE E 138168



**CCC**

Approval ID: 2020322316003150



**cUL Listed**

Approval ID: FILE E 333250



**UL Listed**

Approval ID: FILE E 333250



**ATEX**

Approval ID: DEKRA 22ATEX0044 X



**IECEx**

Approval ID: IECEx DEK 22.0031X



**UKCA-EX**

Approval ID: DEKRA 22UKEX6005X



**NEPSI-EX**

Approval ID: GYJ20.1180X

# PT 1X2+F-BE - Surge protection base-element



2856126

<https://www.phoenixcontact.com/us/products/2856126>

## Classifications

### ECLASS

ECLASS-13.0	27171592
ECLASS-15.0	27171592

### ETIM

ETIM 10.0	EC002497
-----------	----------

### UNSPSC

UNSPSC 21.0	39121600
-------------	----------

# PT 1X2+F-BE - Surge protection base-element



2856126

<https://www.phoenixcontact.com/us/products/2856126>

## Environmental product compliance

### EU RoHS

Fulfills EU RoHS substance requirements	Yes, No exemptions
---	--------------------

### China RoHS

Environment friendly use period (EFUP)	EFUP-E
	No hazardous substances above the limits

### EU REACH SVHC

REACH candidate substance (CAS No.)	No substance above 0.1 wt%
-------------------------------------	----------------------------

Phoenix Contact 2026 © - all rights reserved  
<https://www.phoenixcontact.com>

Phoenix Contact USA  
586 Fulling Mill Road  
Middletown, PA 17057, United States  
(+717) 944-1300  
[info@phoenixcon.com](mailto:info@phoenixcon.com)