

# IB IL 24/230 DOR 1/W-2MBD - Inline terminal



2855910

<https://www.phoenixcontact.com/us/products/2855910>

Please be informed that the data shown in this PDF document is generated from our online catalog. Please find the complete data in the user documentation. Our general terms of use for downloads are valid.



Inline digital output terminal block, without accessories, 1 relay changeover contact, gold contact, transmission speed 2 Mbaud, 5 - 253 V AC, 3 A

## Your advantages

- Diagnostic and status indicators
- Total current of the terminal: 3 A
- Nominal current at the output: 3 A
- Safe isolation
- Floating connection for one actuator

## Commercial data

Item number	2855910
Packing unit	1 pc
Note	Made to order (non-returnable)
Sales key	NULL
Product key	DRI133
GTIN	4017918901844
Weight per piece (including packing)	64.5 g
Weight per piece (excluding packing)	50.19 g
Customs tariff number	85389091
Country of origin	DE

## Technical data

### Product properties

Type	modular
No. of channels	1

### System properties

#### Programming data

Length code (hex)	C2
ID code (dec.)	189
Length code (dec)	194
Process data channel	2 bit
Input address area	0 Byte
Output address area	2 bit (Only bit0 is occupied)
Parameter channel (PCP)	0 bit
Register length (bus)	2 bit

#### Fieldbus data telegram

Required parameter data	3 Byte
-------------------------	--------

### Electrical properties

#### Potentials: Communications power ( $U_L$ )

Supply voltage	7.5 V DC (via voltage jumper)
Current draw	max. 90 mA

#### Electrical isolation/isolation of the voltage ranges

Test voltage: Relay contact / Bus logics	4 kV, 50 Hz, 1 min
Test voltage: Contact/contact	1 kV, 50 Hz, 1 min
Test voltage: Contact / PE	1 kV, 50 Hz, 1 min

### Output data

#### Digital:

Output name	Relay output
Connection method	Spring-cage connection
Connection technology	floating changeover relay contact
Number of outputs	1
Protective circuit	Overload protection, short-circuit protection of outputs
Maximum output current per channel	2.2 A
Maximum output current per module	3 A
Output voltage range	5 V AC ... 253 V AC

### Connection data

#### Inline connector

# IB IL 24/230 DOR 1/W-2MBD - Inline terminal



2855910

<https://www.phoenixcontact.com/us/products/2855910>

Connection method	Spring-cage connection
Conductor cross-section, rigid	0.08 mm <sup>2</sup> ... 1.5 mm <sup>2</sup>
Conductor cross-section, flexible	0.08 mm <sup>2</sup> ... 1.5 mm <sup>2</sup>
Conductor cross-section AWG	28 ... 16

## Interfaces

### Inline local bus

Connection method	Inline data jumper
-------------------	--------------------

## Dimensions

Dimensional drawing	
Width	12.2 mm
Height	119.8 mm
Depth	71.5 mm
Note on dimensions	Housing dimensions

## Material specifications

Color	gray
-------	------

## Environmental and real-life conditions

### Ambient conditions

Ambient temperature (operation)	-25 °C ... 55 °C
Degree of protection	IP20
Air pressure (operation)	70 kPa ... 106 kPa (up to 3000 m above sea level)
Air pressure (storage/transport)	70 kPa ... 106 kPa (up to 3000 m above sea level)
Ambient temperature (storage/transport)	-25 °C ... 85 °C
Permissible humidity (operation)	75 % ... 85 % (in the range of -25°C ... +55°C, appropriate measures against increased humidity (> 85%) must be taken.)
Permissible humidity (storage/transport)	75 % ... 85 % (slight temporary condensation may sometimes appear on the housing)

## Standards and regulations

Protection class	I (IEC 61140, EN 61140, VDE 0140-1)
------------------	-------------------------------------

## Mounting

Mounting type	DIN rail mounting
---------------	-------------------

# IB IL 24/230 DOR 1/W-2MBD - Inline terminal



2855910

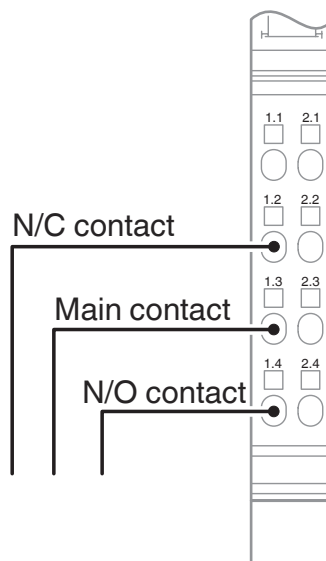
<https://www.phoenixcontact.com/us/products/2855910>

## Drawings

Dimensional drawing



Connection diagram



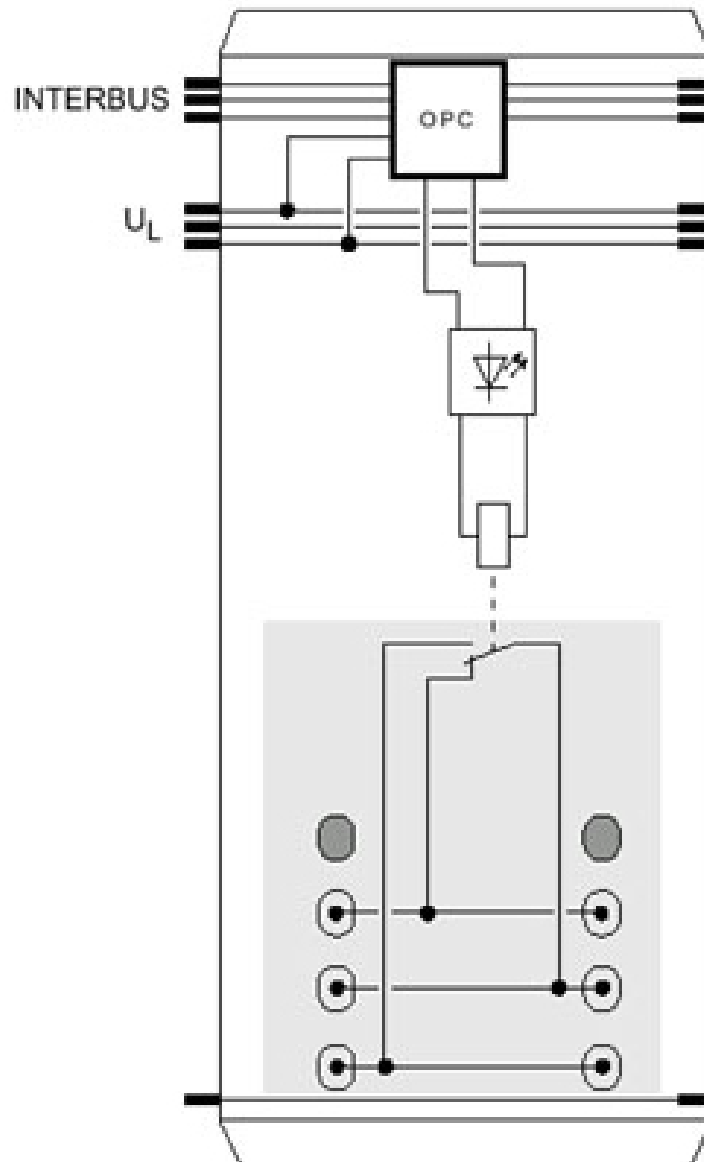
# IB IL 24/230 DOR 1/W-2MBD - Inline terminal

2855910

<https://www.phoenixcontact.com/us/products/2855910>



Block diagram



# IB IL 24/230 DOR 1/W-2MBD - Inline terminal



2855910

<https://www.phoenixcontact.com/us/products/2855910>

## Environmental product compliance

EU REACH SVHC

REACH candidate substance (CAS No.)	No substance above 0.1 wt%
-------------------------------------	----------------------------

Phoenix Contact 2026 © - all rights reserved

<https://www.phoenixcontact.com>

Phoenix Contact USA  
586 Fulling Mill Road  
Middletown, PA 17057, United States  
(+717) 944-1300  
[info@phoenixcon.com](mailto:info@phoenixcon.com)