

IBS IL 24 BK-LK-2MBD - Bus coupler



2855745

<https://www.phoenixcontact.com/us/products/2855745>

Please be informed that the data shown in this PDF document is generated from our online catalog. Please find the complete data in the user documentation. Our general terms of use for downloads are valid.

Inline, Bus coupler, INTERBUS, F-SMA connector, transmission speed in the local bus: 2 Mbps, degree of protection: IP20, without accessories



Product description

The bus coupler connects an Inline station to the INTERBUS remote bus and provides the supply voltages for the connected analog modules.

Your advantages

- Optical path diagnostics
- Remote bus connections using fiber optic technology

Commercial data

Item number	2855745
Packing unit	1 pc
Note	Made to order (non-returnable)
Sales key	DR01
Product key	DRI111
GTIN	4017918821876
Weight per piece (including packing)	283.5 g
Weight per piece (excluding packing)	220 g
Customs tariff number	85389091
Country of origin	DE

IBS IL 24 BK-LK-2MBD - Bus coupler

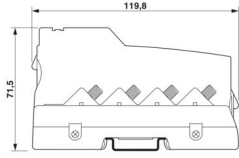


2855745

<https://www.phoenixcontact.com/us/products/2855745>

Technical data

Dimensions

Dimensional drawing	
Width	85 mm
Height	119.8 mm
Depth	71.5 mm

Notes

Utilization restriction

EMC note	EMC: class A product, see manufacturer's declaration in the download area
----------	---

Material specifications

Color	green
-------	-------

Interfaces

INTERBUS

No. of channels	2
Connection method	F-SMA connector
Number of positions	2
Transmission speed	2 Mbps
Transmission physics	FO

Inline local bus

Connection method	Inline data jumper
Transmission speed	2 Mbps

Supply

Connection method	8-pos. Inline connector
-------------------	-------------------------

System properties

System limits

Number of local bus devices that can be connected	max. 63
Number of devices with parameter channel	63
Number of supported branch terminals with remote bus branch	max. 15

Programming data

Length code (hex)	00
-------------------	----

IBS IL 24 BK-LK-2MBD - Bus coupler



2855745

<https://www.phoenixcontact.com/us/products/2855745>

ID code (dec.)	04
Length code (dec)	00
Process data channel	0 bit
Input address area	0 Byte
Output address area	0 Byte
Parameter channel (PCP)	0 Byte
Register length (bus)	0 bit
Register length (master)	8192 bit

Product properties

Product type	I/O component
Product family	Inline
Type	modular
Scope of supply	without accessories

Electrical properties

Maximum power dissipation for nominal condition	30 W
Protective circuit	Reverse polarity protection

Potentials: Bus coupler supply U_{BK} ; Communications power U_L (7.5 V) and the analog supply U_{ANA} (24 V) are generated from the bus coupler supply.

Supply voltage	24 V DC (via Inline connector)
Supply voltage range	19.2 V DC ... 30 V DC (including all tolerances, including ripple)
Current draw	max. 1.25 A (with max. number of connected I/O terminal blocks)

Potentials: Communications power (U_L)

Supply voltage	7.5 V DC
Power supply	max. 2 A DC (observe derating)

Potentials: Supply of analog modules (U_{ANA})

Supply voltage	24 V DC
Supply voltage range	19.2 V DC ... 30 V DC (including all tolerances, including ripple)
Power supply	max. 0.5 A DC (observe derating)

Electrical isolation/isolation of the voltage ranges

Test voltage: 7.5 V communications power, 24 V analog supply, 24 V bus coupler supply/functional ground	500 V AC, 50 Hz, 1 min
---	------------------------

Connection data

Connection technology

Connection name	Inline connector
-----------------	------------------

Inline connector

Connection method	Spring-cage connection
Conductor cross-section, rigid	0.08 mm ² ... 1.5 mm ²
Conductor cross-section, flexible	0.08 mm ² ... 1.5 mm ²
Conductor cross-section AWG	28 ... 16

IBS IL 24 BK-LK-2MBD - Bus coupler



2855745

<https://www.phoenixcontact.com/us/products/2855745>

Stripping length	8 mm
------------------	------

Environmental and real-life conditions

Ambient conditions

Ambient temperature (operation)	-25 °C ... 55 °C
Degree of protection	IP20
Air pressure (operation)	80 kPa ... 106 kPa (up to 3000 m above sea level)
Air pressure (storage/transport)	70 kPa ... 106 kPa (up to 3000 m above sea level)
Ambient temperature (storage/transport)	-25 °C ... 85 °C
Permissible humidity (operation)	75 % ... 85 %
Permissible humidity (storage/transport)	75 % ... 85 %

Mounting

Mounting type	DIN rail mounting
---------------	-------------------

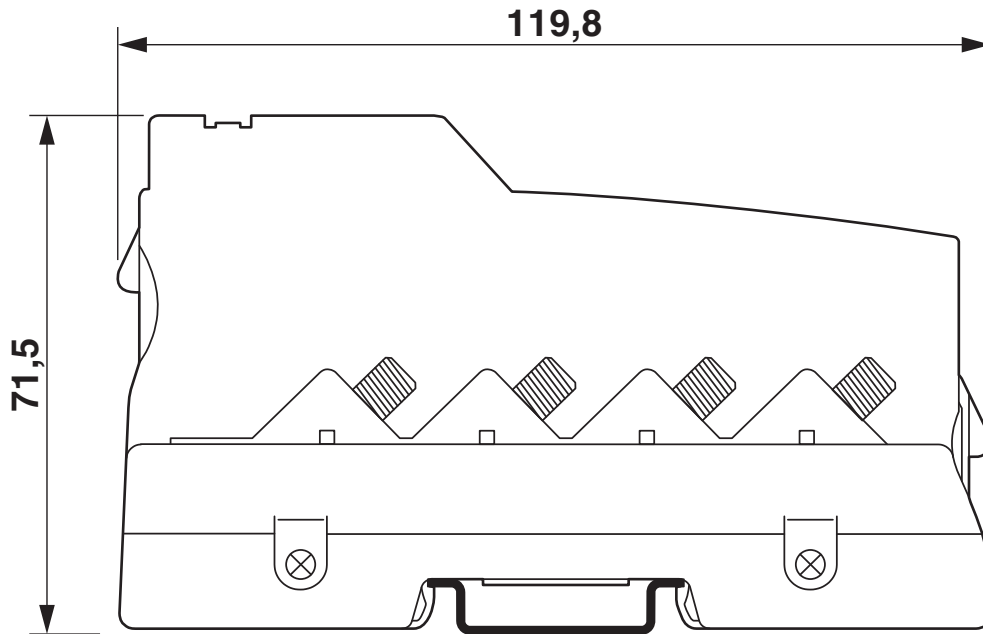
IBS IL 24 BK-LK-2MBD - Bus coupler

2855745

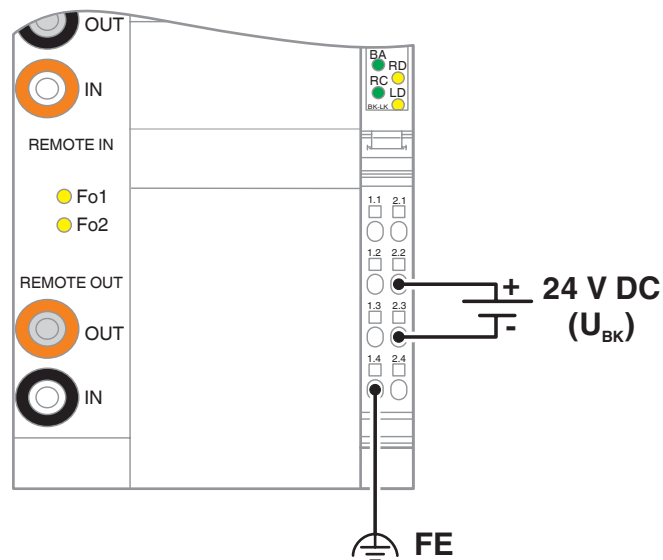
<https://www.phoenixcontact.com/us/products/2855745>

Drawings

Dimensional drawing



Connection diagram



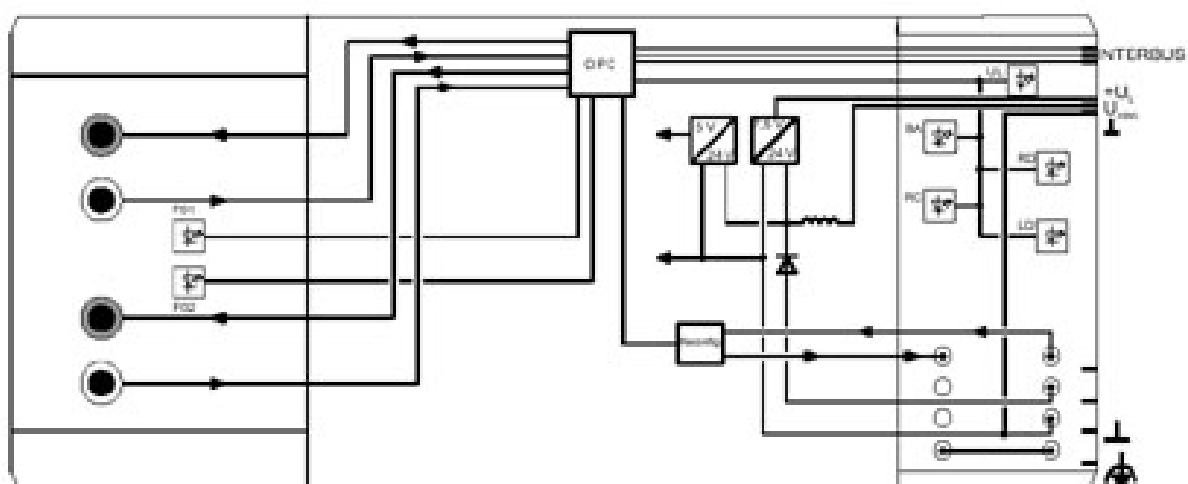
IBS IL 24 BK-LK-2MBD - Bus coupler

2855745

<https://www.phoenixcontact.com/us/products/2855745>



Block diagram



IBS IL 24 BK-LK-2MBD - Bus coupler



2855745

<https://www.phoenixcontact.com/us/products/2855745>

Environmental product compliance

China RoHS

Environment friendly use period (EFUP)	EFUP-E
	No hazardous substances above the limits

EU REACH SVHC

REACH candidate substance (CAS No.)	No substance above 0.1 wt%
-------------------------------------	----------------------------

Phoenix Contact 2026 © - all rights reserved
<https://www.phoenixcontact.com>

Phoenix Contact USA
586 Fulling Mill Road
Middletown, PA 17057, United States
(+717) 944-1300
info@phoenixcon.com