

# EG 45-G/ABS BU - Mounting base housing



2854377

<https://www.phoenixcontact.com/us/products/2854377>

Please be informed that the data shown in this PDF document is generated from our online catalog. Please find the complete data in the user documentation. Our general terms of use for downloads are valid.

Lower housing part, with snap-on foot



The figure shows fully mounted versions of the electronic housing, in green

## Commercial data

Item number	2854377
Packing unit	10 pc
Minimum order quantity	1 pc
Product key	ACHCGA
GTIN	4017918463847
Weight per piece (including packing)	54.06 g
Weight per piece (excluding packing)	53.66 g
Country of origin	PL

# EG 45-G/ABS BU - Mounting base housing

2854377

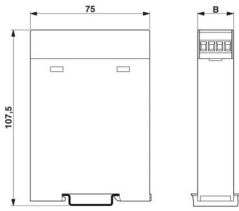
<https://www.phoenixcontact.com/us/products/2854377>

## Technical data

### Product properties

Housing type	Component housing
Type	Lower housing part closed, housing cover necessary to complete the module
Number of positions	16

### Dimensions

Dimensional drawing	
Width	45 mm
Installed height	107.5 mm
Height NS 35/7,5	107.5 mm
Depth	75 mm
Length	75 mm

### Material specifications

Flammability rating according to UL 94	HB
Housing material	ABS

### Environmental and real-life conditions

#### Ambient conditions

Ambient temperature (operation)	-40 °C ... 80 °C
---------------------------------	------------------

# EG 45-G/ABS BU - Mounting base housing

2854377

<https://www.phoenixcontact.com/us/products/2854377>



## Drawings

Dimensional drawing



# EG 45-G/ABS BU - Mounting base housing

2854377

<https://www.phoenixcontact.com/us/products/2854377>

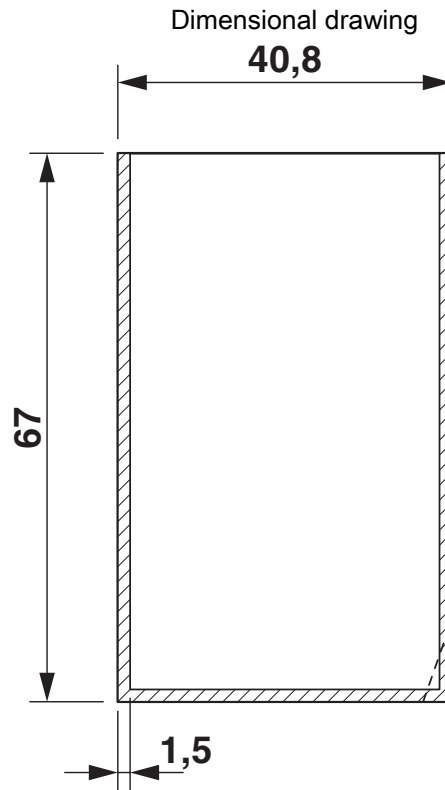


Component mounting side, if the double-level upper part is used

# EG 45-G/ABS BU - Mounting base housing

2854377

<https://www.phoenixcontact.com/us/products/2854377>



valid for PCB 1; 3; 5 and 6, see explosion drawing

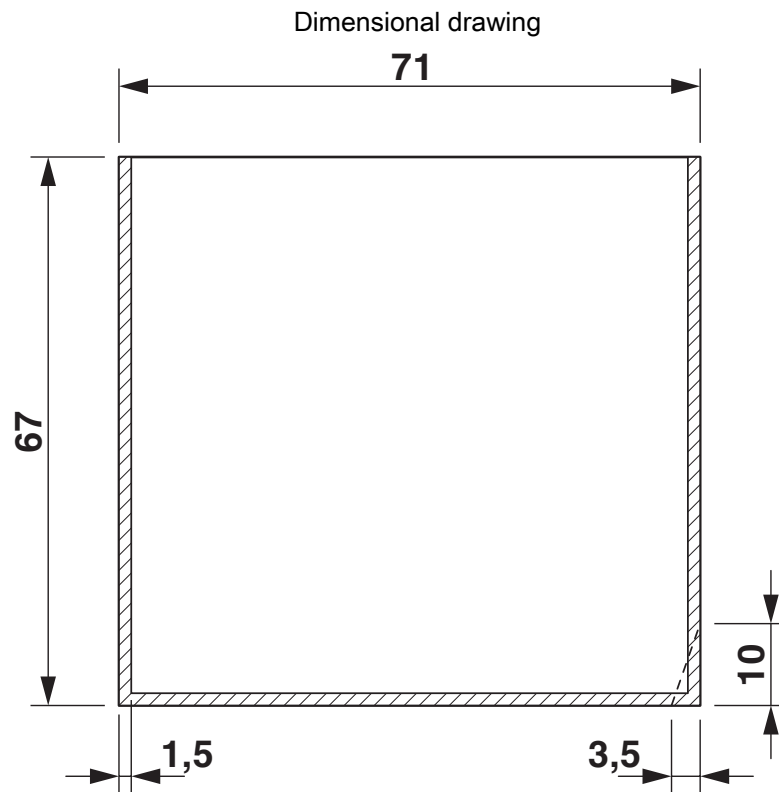


valid for PCB 7 and 12, see explosion drawing

# EG 45-G/ABS BU - Mounting base housing

2854377

<https://www.phoenixcontact.com/us/products/2854377>



valid for PCB 10, see explosion drawing

# EG 45-G/ABS BU - Mounting base housing

2854377

<https://www.phoenixcontact.com/us/products/2854377>



valid for PCB 13

# EG 45-G/ABS BU - Mounting base housing

2854377

<https://www.phoenixcontact.com/us/products/2854377>



valid for PCB 14

# EG 45-G/ABS BU - Mounting base housing

2854377

<https://www.phoenixcontact.com/us/products/2854377>



## Classifications

### UNSPSC

UNSPSC 21.0	31261500
-------------	----------

# EG 45-G/ABS BU - Mounting base housing



2854377

<https://www.phoenixcontact.com/us/products/2854377>

## Environmental product compliance

### China RoHS

Environment friendly use period (EFUP)	EFUP-E
	No hazardous substances above the limits

### EU REACH SVHC

REACH candidate substance (CAS No.)	No substance above 0.1 wt%
-------------------------------------	----------------------------

Phoenix Contact 2026 © - all rights reserved  
<https://www.phoenixcontact.com>

Phoenix Contact USA  
586 Fulling Mill Road  
Middletown, PA 17057, United States  
(+717) 944-1300  
[info@phoenixcon.com](mailto:info@phoenixcon.com)