

ME 17,5 UT/FE BUS/ 5+2 GN - Mounting base housing



2854186

<https://www.phoenixcontact.com/us/products/2854186>

Please be informed that the data shown in this PDF document is generated from our online catalog. Please find the complete data in the user documentation. Our general terms of use for downloads are valid.



RAIL



DIN rail housing, Lower housing part with metal foot catch, with FE contact, tall design, with vents, width: 17.6 mm, height: 99 mm, depth: 107.3 mm, cross connection: integrated bus connector, number of positions cross connector: 5+2, Bus connector: 5 parallel contacts, 2 serial contacts

Your advantages

- Tool-free mounting
- Available in overall widths from 12.5 mm ... 90 mm, modular extension is possible
- Flammability rating V0 in accordance with UL 94
- Variety of connection technology
- Can be mounted on the DIN rail
- With integrated or DIN-rail-mountable bus connector as an option

Commercial data

Item number	2854186
Packing unit	10 pc
Minimum order quantity	1 pc
Note	Made to order (non-returnable)
Sales key	AC08
Product key	ACHAAB
GTIN	4017918190200
Weight per piece (including packing)	47.13 g
Weight per piece (excluding packing)	37.82 g
Customs tariff number	85369010
Country of origin	DE

ME 17,5 UT/FE BUS/ 5+2 GN - Mounting base housing



2854186

<https://www.phoenixcontact.com/us/products/2854186>

Technical data

Notes

Assembly note	Please observe the application note in the download area.
Recommendation	Material of contact pads for bus connector, galvanic gold (hard gold)

Product properties

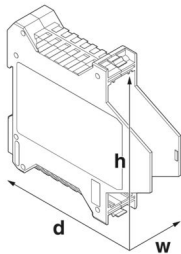
Product type	Lower housing part
Housing type	DIN rail housing
Housing series	ME
Type	Lower housing parts with vents, housing cover necessary to complete the module
Ventilation openings present	yes

Electrical properties

Properties

Nominal current I_N	8 A (parallel contacts)
Rated voltage (III/3)	50 V
Rated surge voltage (III/3)	1.5 kV
Rated voltage (III/2)	150 V
Rated surge voltage (III/2)	2.5 kV
Rated voltage (II/2)	300 V
Rated surge voltage (II/2)	2.5 kV

Dimensions

Dimensional drawing	
Pitch	3.81 mm
Width [w]	17.6 mm
Height [h]	99 mm

PCB design

PCB thickness	1.4 mm ... 1.8 mm
---------------	-------------------

Material specifications

Material data - contact

Contact material	Cu alloy
------------------	----------

ME 17,5 UT/FE BUS/ 5+2 GN - Mounting base housing



2854186

<https://www.phoenixcontact.com/us/products/2854186>

Surface characteristics	gold-plated
-------------------------	-------------

Material data - housing

Color (Housing)	green (6021)
Insulating material	PA
Insulating material group	I
CTI according to IEC 60112	600
Flammability rating according to UL 94	V0

Connector

Connection 1

Insulating material	PA
CTI according to IEC 60112	600

Electrical tests

Air clearances and creepage distances |

Specification	IEC 60664-1:2007-04
Insulating material group	I
Rated insulation voltage (III/3)	50 V
Rated surge voltage (III/3)	1.5 kV
minimum clearance value - non-homogenous field (III/3)	0.8 mm
minimum creepage distance (III/3)	1.6 mm
Rated insulation voltage (III/2)	150 V
Rated surge voltage (III/2)	2.5 kV
minimum clearance value - non-homogenous field (III/2)	1.5 mm
minimum creepage distance (III/2)	0.8 mm
Rated insulation voltage (II/2)	300 V
Rated surge voltage (II/2)	2.5 kV
minimum clearance value - non-homogenous field (II/2)	1.5 mm
minimum creepage distance (II/2)	1.5 mm

Environmental and real-life conditions

Ambient conditions

Ambient temperature (storage/transport)	-40 °C ... 55 °C
Relative humidity (storage/transport)	30 % ... 70 %
Ambient temperature (assembly)	-5 °C ... 100 °C
Ambient temperature (operation)	-40 °C ... 105 °C (dependent on the derating curve)

Ambient conditions

Max. IP code to attain	IP20
Ambient temperature (operation)	-40 °C ... 105 °C (dependent on the derating curve)
Ambient temperature (storage/transport)	-40 °C ... 55 °C
Relative humidity (storage/transport)	30 % ... 70 %
Ambient temperature (assembly)	-5 °C ... 100 °C

ME 17,5 UT/FE BUS/ 5+2 GN - Mounting base housing



2854186

<https://www.phoenixcontact.com/us/products/2854186>

Relative humidity (storage/transport)	80 %
---------------------------------------	------

PCB data

Number of PCB holders	1
Type of PCB mount	Insertion (optional latching by PCB stop)
Thickness of the PCB	1.4 mm ... 1.8 mm

Mounting

Mounting type	DIN rail mounting
---------------	-------------------

Packaging specifications

Type of packaging	packed in cardboard
Outer packaging type	Carton

Drawings

Dimensional drawing



Schematic figure for illustrating the item dimensions. The figure is not of the desired product. For further details, refer to the product drawings in the "Downloads" tab.

ME 17,5 UT/FE BUS/ 5+2 GN - Mounting base housing



2854186

<https://www.phoenixcontact.com/us/products/2854186>

Classifications

ECLASS

ECLASS-13.0

27190601

ETIM

ETIM 9.0

EC002779

UNSPSC

UNSPSC 21.0

31261500

ME 17,5 UT/FE BUS/ 5+2 GN - Mounting base housing



2854186

<https://www.phoenixcontact.com/us/products/2854186>

Environmental product compliance

EU RoHS

Fulfills EU RoHS substance requirements	Yes, No exemptions
---	--------------------

China RoHS

Environment friendly use period (EFUP)	EFUP-E
	No hazardous substances above the limits

EU REACH SVHC

REACH candidate substance (CAS No.)	No substance above 0.1 wt%
-------------------------------------	----------------------------

Phoenix Contact 2026 © - all rights reserved
<https://www.phoenixcontact.com>

Phoenix Contact USA
586 Fulling Mill Road
Middletown, PA 17057, United States
(+717) 944-1300
info@phoenixcon.com