

# EG 45-GMF/PC GY - Mounting base housing

2853381

<https://www.phoenixcontact.com/us/products/2853381>

Please be informed that the data shown in this PDF document is generated from our online catalog. Please find the complete data in the user documentation. Our general terms of use for downloads are valid.

Housing base, with metal foot catch



The figure shows fully mounted versions of the electronic housing, in green

## Your advantages

- Tool-free mounting

## Commercial data

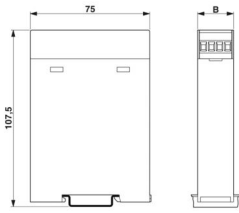
Item number	2853381
Packing unit	100 pc
Minimum order quantity	1 pc
Note	Made to order (non-returnable)
Product key	ACHCGA
GTIN	4017918439170
Weight per piece (including packing)	65 g
Weight per piece (excluding packing)	63.908 g
Country of origin	PL

## Technical data

### Product properties

Product type	Lower housing part
Housing type	Component housing
Housing series	EG
Product family	EG...G
Type	Lower housing part closed, housing cover necessary to complete the module
Number of positions	16
Max. number of positions	0)
Ventilation openings present	no

### Dimensions

Dimensional drawing	
Width	45 mm
Height	75 mm

### PCB design

PCB thickness	1.4 mm ... 1.8 mm
---------------	-------------------

### Material specifications

Color (Lower housing part)	window gray (RAL 7040)
Material	PC
Flammability rating according to UL 94	V0

### Environmental and real-life conditions

#### Ambient conditions

Max. IP code to attain	IP20
Ambient temperature (operation)	-40 °C ... 105 °C (depending on power dissipation)
Ambient temperature (storage/transport)	-40 °C ... 70 °C
Ambient temperature (assembly)	-5 °C ... 100 °C

### PCB data

Thickness of the PCB	1.4 mm ... 1.8 mm
----------------------	-------------------

### Mounting

Mounting type	DIN rail mounting
---------------	-------------------

# EG 45-GMF/PC GY - Mounting base housing

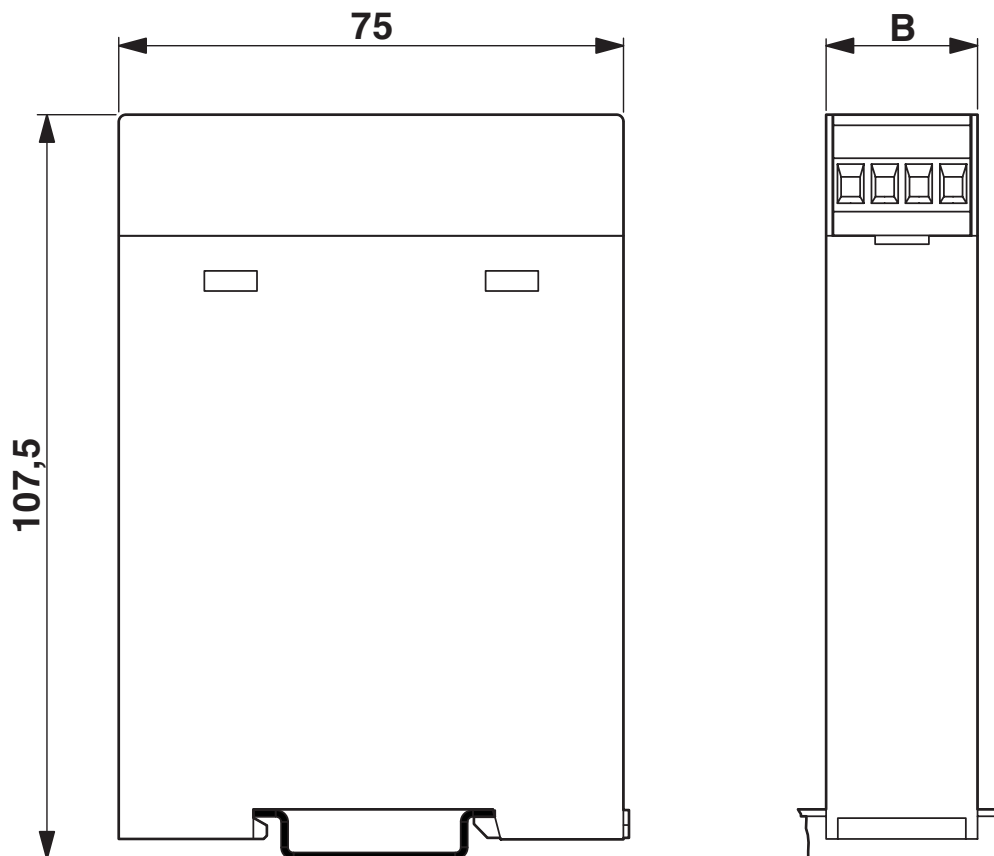
2853381

<https://www.phoenixcontact.com/us/products/2853381>



## Drawings

Dimensional drawing



# EG 45-GMF/PC GY - Mounting base housing

2853381

<https://www.phoenixcontact.com/us/products/2853381>

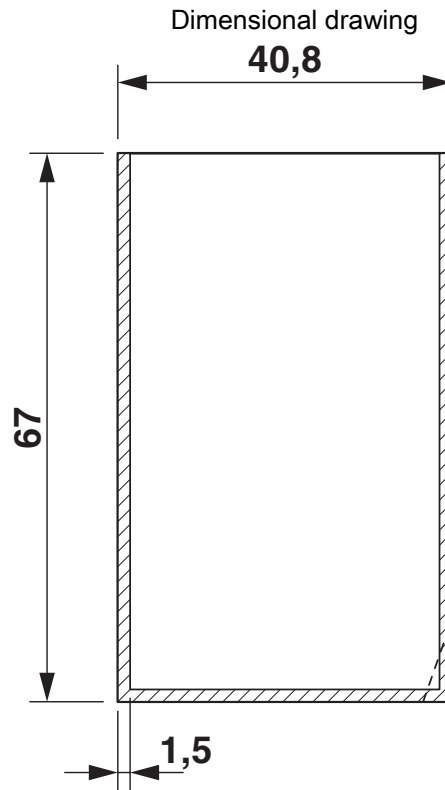


Component mounting side, if the double-level upper part is used

# EG 45-GMF/PC GY - Mounting base housing

2853381

<https://www.phoenixcontact.com/us/products/2853381>



valid for PCB 1; 3; 5 and 6, see explosion drawing



valid for PCB 7 and 12, see explosion drawing

# EG 45-GMF/PC GY - Mounting base housing

2853381

<https://www.phoenixcontact.com/us/products/2853381>

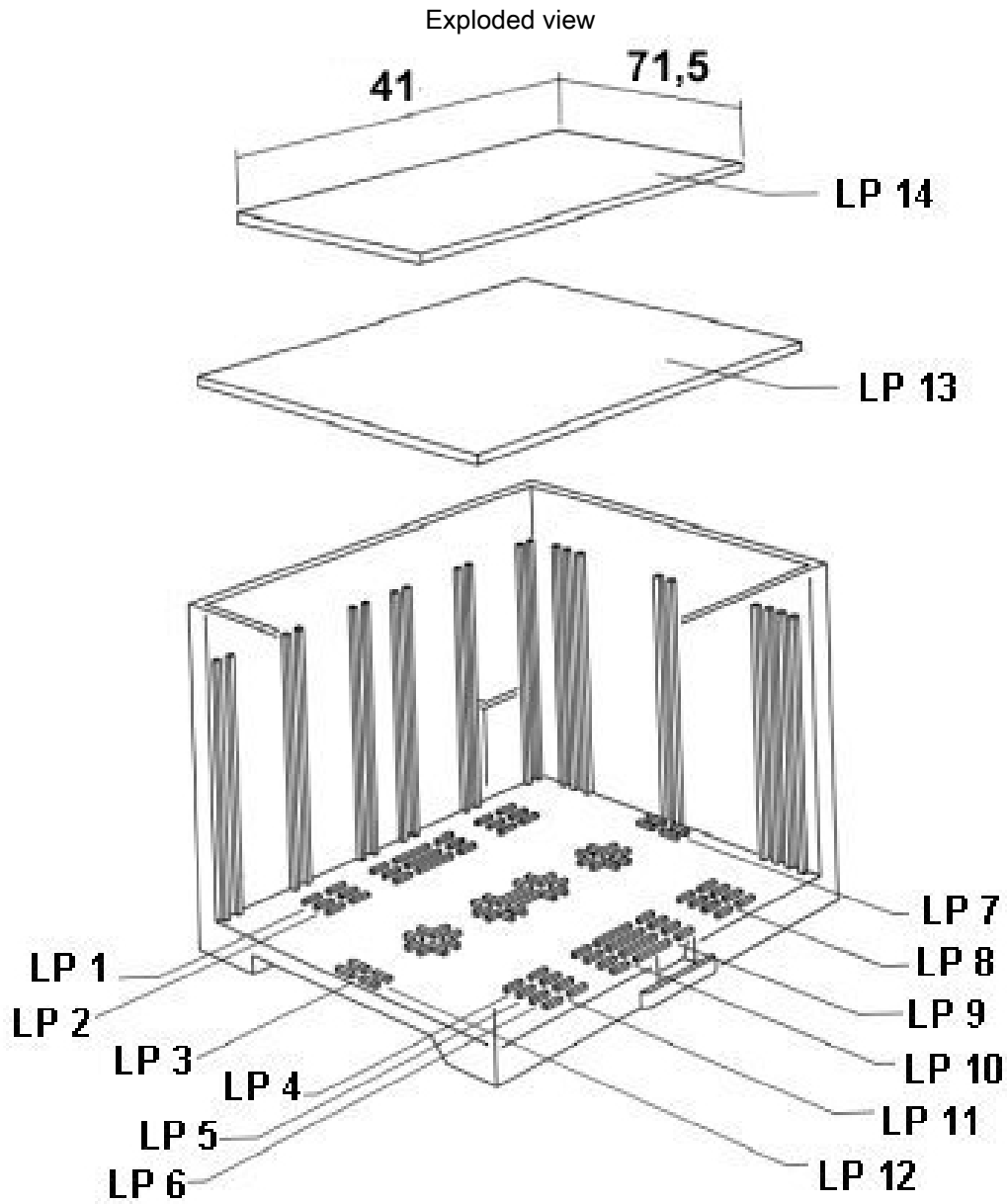


valid for PCB 10, see explosion drawing

# EG 45-GMF/PC GY - Mounting base housing

2853381

<https://www.phoenixcontact.com/us/products/2853381>

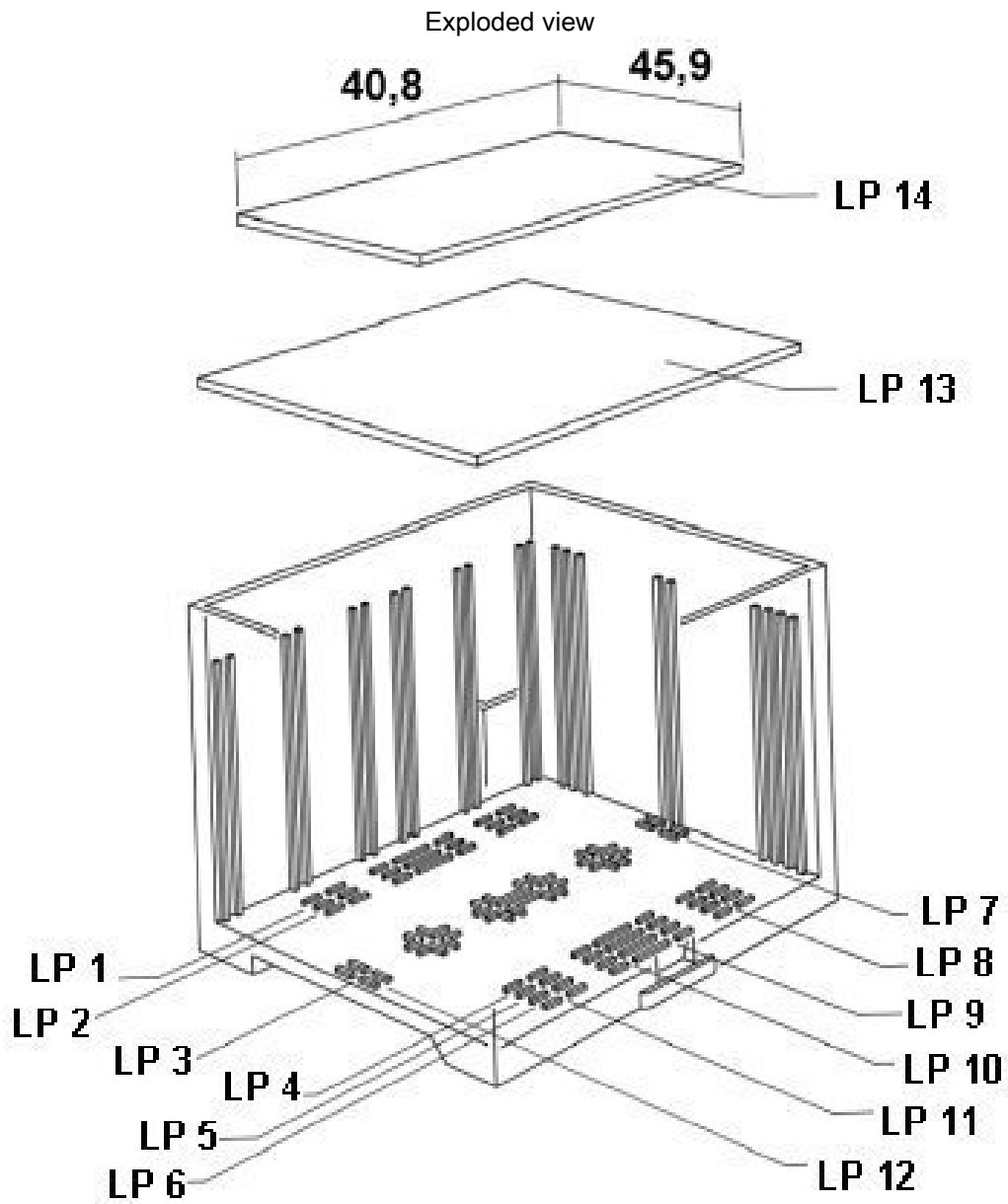


valid for PCB 13

# EG 45-GMF/PC GY - Mounting base housing

2853381

<https://www.phoenixcontact.com/us/products/2853381>



valid for PCB 14

# EG 45-GMF/PC GY - Mounting base housing



2853381

<https://www.phoenixcontact.com/us/products/2853381>

## Approvals

To download certificates, visit the product detail page: <https://www.phoenixcontact.com/us/products/2853381>



**UL Recognized**

Approval ID: E240868

# EG 45-GMF/PC GY - Mounting base housing



2853381

<https://www.phoenixcontact.com/us/products/2853381>

## Classifications

### ECLASS

ECLASS-13.0	27190601
ECLASS-15.0	27190601

### ETIM

ETIM 10.0	EC002779
-----------	----------

### UNSPSC

UNSPSC 21.0	31261500
-------------	----------

# EG 45-GMF/PC GY - Mounting base housing



2853381

<https://www.phoenixcontact.com/us/products/2853381>

## Environmental product compliance

### EU RoHS

Fulfills EU RoHS substance requirements	Yes, No exemptions
---	--------------------

### China RoHS

Environment friendly use period (EFUP)	EFUP-E
	No hazardous substances above the limits

### EU REACH SVHC

REACH candidate substance (CAS No.)	No substance above 0.1 wt%
-------------------------------------	----------------------------

### EF3.1 Climate Change

CO2e kg	0.174 kg CO2e
---------	---------------

Phoenix Contact 2026 © - all rights reserved  
<https://www.phoenixcontact.com>

Phoenix Contact USA  
586 Fulling Mill Road  
Middletown, PA 17057, United States  
(+717) 944-1300  
[info@phoenixcon.com](mailto:info@phoenixcon.com)